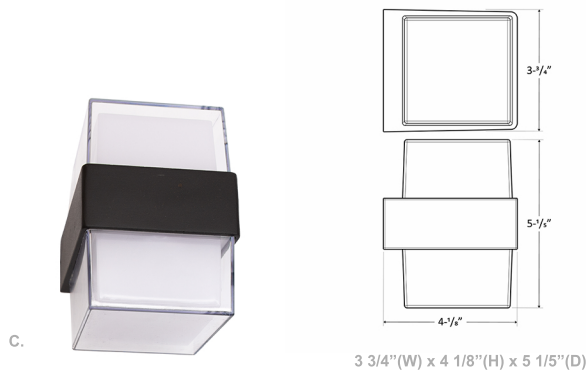
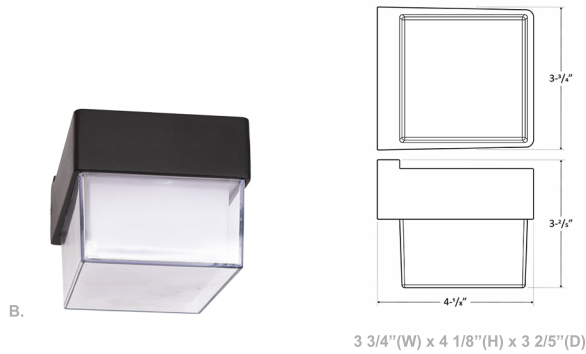
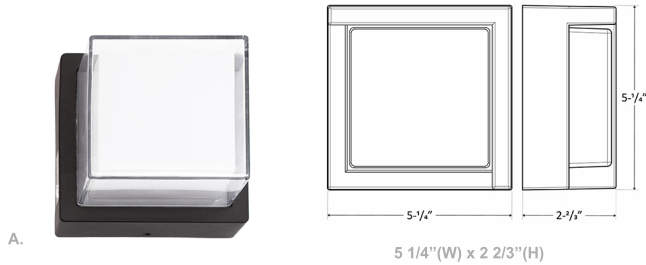


12-Volt LED Mini Wall Sconce



Wattage

3W / 6W

Voltage Input

12V AC

Efficacy

66.7 LPW

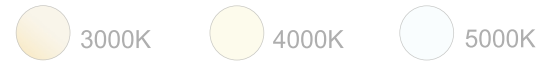
Finish

Back Plate: Die-Cast Aluminum with Mounting/Gasket
Oil-Rubbed Bronze

Beam Angles



Color Temperatures



Features



Catalog No.	Fig.
LVW-200-MCT-ORB	A.
LVW-210-MCT-ORB	B.
LVW-210-UD-MCT-ORB	C.