

LTRB SERIES

Commercial Lighting

WESTGATE
THE FUTURE IS HERE...AND IT'S QUITE BRIGHT!

LTRB-2X4-MCTP



MCTP

Selection:

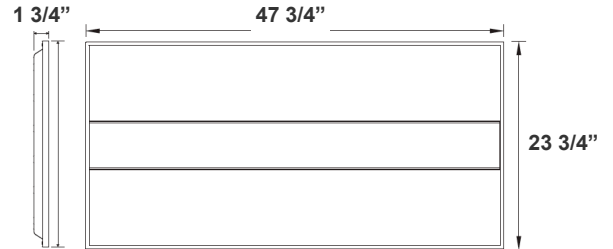


Customer Name: _____

Project Name: _____

Note: _____

Type: _____



47 3/4"(L) x 23 3/4"(H) x 1 3/4"(D)

This indoor commercial LED Blacklit panel light is ideal for hotels, offices, retail outlets, restaurants, parking garages, storage rooms, conference rooms, education facilities, and more.

Features

- Soft and Wide Light-Emitting
- 50,000 Hours Rated Life
- No infrared rays, No Ultraviolet Radiation, No Thermal Effect
- Earthquake hooks and Suspension Hooks Pre-Installed
- No flickering, No humming, No RF interference
- Multi Color Temperature & Multi Power (Selectable Switch on Back of Fixture)

Technical Specifications

Electrical:

- Voltage: AC120V-277V 50/60Hz
- Power Factor: >0.90
- Wattage: 30W/ 40W/ 50W
- Efficacy: 110 LPW
- Fixture Operating Voltage: 36VDC
- Rated Input Current (mA): 420/ 337/ 253mA
- Total Harmonic Distortion: ≤ 20 %

Mechanical:

- White Finish
- Earthquake Hooks and Suspension Hooks pre-installed
- External driver mounted on top
- Operating Temperature: -68°F~104°F
- IP Rating: IP20 (Indoor use only)
- Rated life: 50,000 hrs

Lighting:

- Dimmable: 0~10V Dimming
- Total Lumens: 3300LM/ 4400LM/ 5500LM
- Color Temperatures: 3500K/ 4000K/ 5000K
- Multi CCT & Multi Power (selectable switch on back of fixture)
- Color Rendering Index: CRI ≥ 80
- 5-Year Warranty
- Beam Angle: 110°

Applications:

- Ideal for hotel, offices, retail outlets, restaurant, parking garages, storage room, conference room, education facilities and more.

Other Models:

- 40W | 4400LM | LTRB-1X4-MCTP
- 40W | 4400LM | LTRB-2X2-MCTP

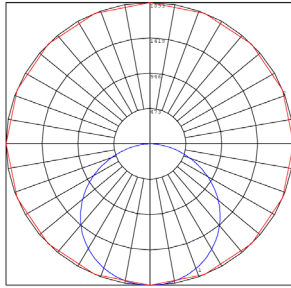
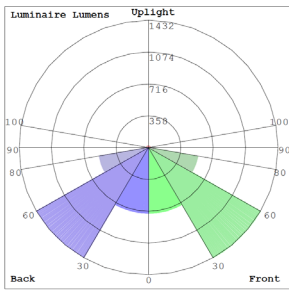


Phone: (877) 805-2252 | Fax: (877) 805-2252
www.westgatemfg.com |

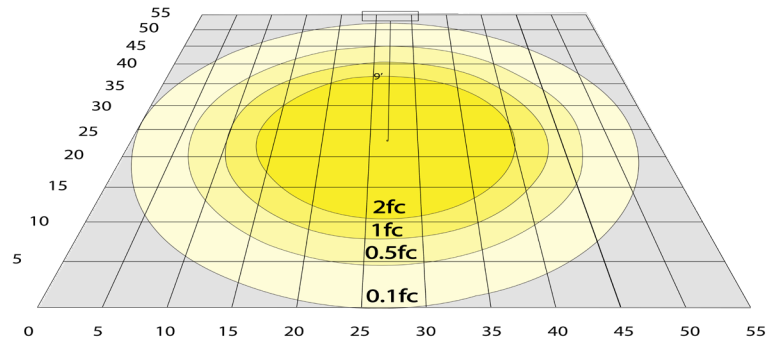


WG-02142022

Photometrics: LTRB-2X4-MCTP



BUD Rating: B2-U2-G1

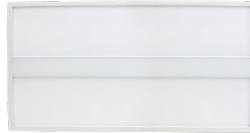


Simulation Based on 4000K Area 55'x 55' Mounting Height: 9'

Other Views:



Side View



Front View



Back View

Performance Table: LTRB-2X4-MCPT

MODEL NO.	Wattage	Voltage	Lumens	Color Temp.	BUG Rating	LPW
LTRB-2X4-MCTP	30W 40W 50W	120~277V	3300LM 4400LM 5500LM	3500K/ 4000K/ 5000K	B2-U2-G1	110

Sample Ordering

Model Size Watt/Color Temp.

LTRB - 2X4 - MCTP

Accessories:

Blank

Blank = No Option For Accessories
LPNG-RMK-2X4 = RECESSED MOUNTING FLANGE (FRAME-IN) KIT FOR INSTALLATION IN HARD SURFACES

LPNG-SRFC-2X4 = SURFACE MOUNTING KIT FOR LPNG-2X4
WEC-2CPDR-3=MOTION SENSOR

Factory-Installed Options:

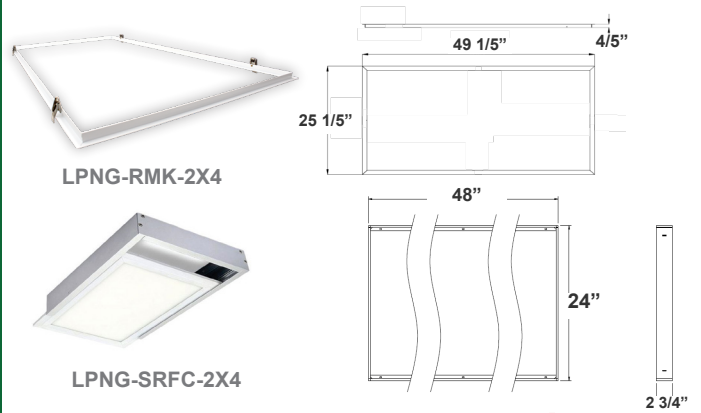
Blank

Blank = No Option For Accessories
OPT-EM-LP= EXTERNAL EMERGENCY BACKUP BATTERY
OPT-FWH-63= 6FT 3-WIRE WHIP
OPT-FWH-65= 6FT 5-WIRE WHIP
OPT-FWH-66= 6FT 6-WIRE WHIP

Example:

- LTRB-2X4-MCTP (FOR LTRB 2X4 MCTP FIXTURE 120-277V)
- LTRB-2X4-MCTP LPNG-SRFC-2X4 (FOR LTRB 2X4 MCTP FIXTURE 120-277V) (SURFACE MOUNTING KIT FOR LTRB-2x4)
- LTRB-2X4-MCTP LPNG-SRFC-2X4 OPT-EM-LP (FOR LTRB 2X4 MCTP FIXTURE 120-277V) (SURFACE MOUNTING KIT FOR LTRB-2x4) (EMERGENCY BACKUP BATTERY)

ACCESSORIES and MOUNTING KIT:



LPNG-RMK-2X4

LPNG-SRFC-2X4

WEC-2CPDR-3

FACTORY-INSTALLED OPTIONS:



OPT-EM-LP



OPT-FWH-63
OPT-FWH-65
OPT-FWH-66

