

# LSWX SERIES Outdoor Lighting

LSWX-20W-30K-PC  
LSWX-20W-50K-PC

**WESTGATE**  
THE FUTURE IS HERE...AND IT'S QUITE BRIGHT!



Selection:

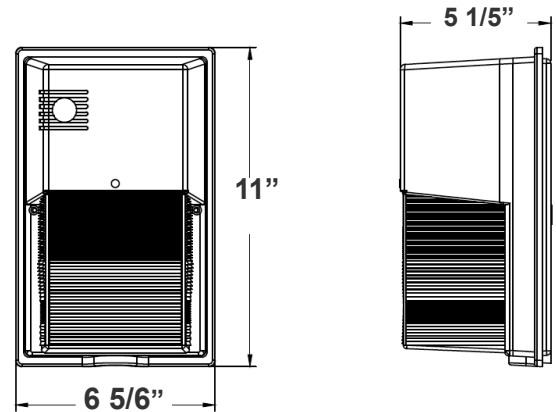


Customer Name: \_\_\_\_\_

Project Name: \_\_\_\_\_

Note: \_\_\_\_\_

Type: \_\_\_\_\_



11" (L) x 6 5/6" (W) x 5 1/5" (H)

LED Non-Cutoff Wall Pack with Photocell is ideal for general site lighting, loading docks, doorway, pathway and parking areas.

## Features

- Back plate: Die-cast aluminum
- Threaded 1/2" Knockout Provided on Top Section of the Back
- Polycarbonate Housing & Lens
- 7-Year Warranty

## Technical Specifications

### Electrical:

- Voltage: 120-277V AC 60Hz
- Wattage: 20W
- Power Factor: >0.90
- Efficacy: 124 LPW
- Includes Pre-wired Photo Electric Control (Dusk to Dawn Photocell), 120 Volt, Removable
- Photocell Response Time: Maximum 3 Seconds

### Mechanical:

- Back plate: Aluminum LED board: High Conductive, Waterproof, Aging Resistance, Salt Mist Resistance
- Threaded 1/2" Knockout Provided on Top Section of the Back
- Polycarbonate Housing & Lens
- Non-Cutoff Optics Ideal for Maximum Light Distribution
- Operating Temperature: -4°F -104°F
- Wet Location
- 7-Year Warranty
- IP54

### Lighting:

- LED Type/Brand: 2835 LUMILEDS
- Front: Polycarbonate Lens and Housing
- Multi-Power (The switch is inside the fixture)
- Total Lumens: 2450LM
- Color Temperatures: 3000K/ 5000K
- Color Rendering Index: CRI ≥ 70
- Beam Angle: 90° x 110°
- Rated life: 70,000 Hrs

### Applications:

- Ideal for general site lighting, loading docks, doorway, pathway and parking areas.

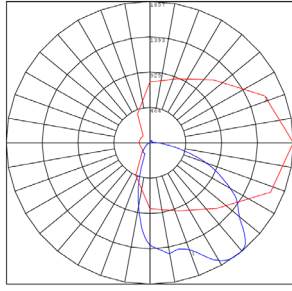
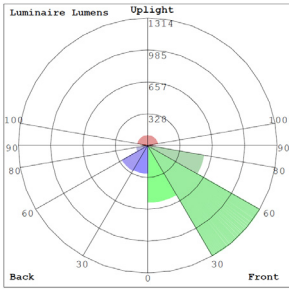


Phone: (877) 805-2252 | Fax: (877) 805-2252  
www.westgatemfg.com

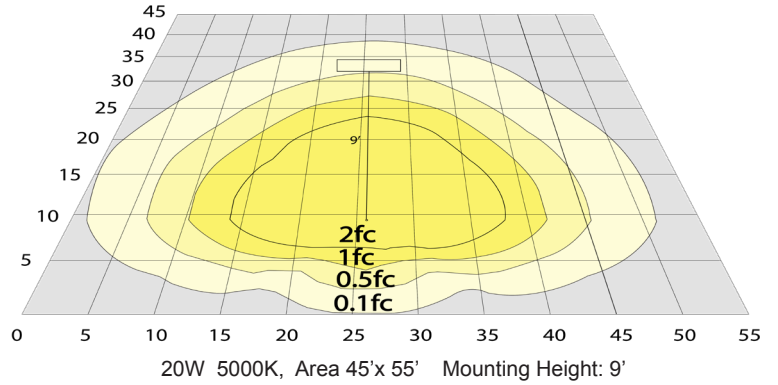


WG-ZY-29-2Z

## Photometrics: LSWX-20W



BUD Rating: B1-U3-G1



## Other Views:



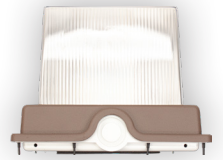
Side View



Front View



Back View



Bottom View

## Performance Table: LSWX-20W

MODEL NO.	Wattage	Voltage	Lumens	Color Temp.	BUG Rating	LPW
LSWX-20W-30K-PC	20W	120~277V	2450LM	3000K	B1-U3-G1	124
LSWX-20W-50K-PC				5000K		

## Sample Ordering

Model	Wattage	Color Temp.	Feature
LSWX	20W	30K = 3000K 50K = 5000K	PC

## Factory-Installed Options:

- Blank = No Option For Accessories
- OPT-NOPC = REMOVE PHOTOCELL
- OPT-EM-LSW = INTERNAL EMERGENCY BATTERY BACK UP
- OPT-TRS-T20 = TAMPER RESISTANT SCREW
- OPT-SEN-SLPIR = EXTERNAL SECURITY LIGHT TYPE PIR MOTION SENSOR

## FACTORY-INSTALLED OPTIONS:



OPT-SEN-SLPIR



OPT-EM-LSW

## Example:

1. LSWX-5-30W--50K-PC
2. LSWX-5-30W--50K-PC  
OPT-NOPC

(FOR LSWX 30W 5000K FIXTURE 120-277V)

(FOR LSWX 30W 5000K FIXTURE 120-277V)  
(REMOVE PHOTOCELL)

