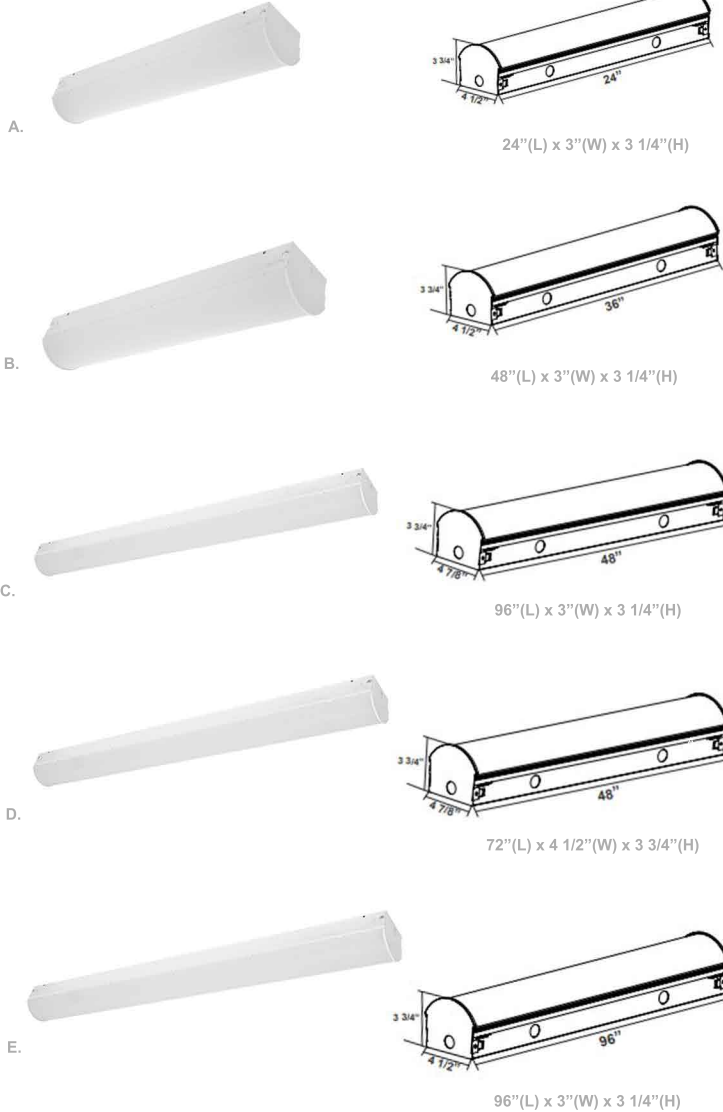


LED Strip Lights



Wattage

20W / 30W / 40W / 60W / 80W / 84W

Voltage Input

120-277VAC 60Hz

Efficacy

105-140 LPW

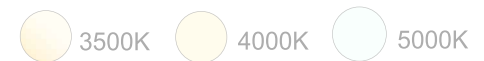
Dimming

0~10V Dimmable

Finish

Heavy Die-Formed Steel
Shatter Resistant Translucent Lens
White Finish

Color Temperatures



Features



Accessory



LSL-WG
Wire Guard for LSL Strip Lights

Catalog No.	Fig.	Catalog No.	Fig.	Catalog No.	Fig.
LSL-2FT-20W-35K-D	A	LSL-4FT-40W-40K-D	C	LSL-8FT-80W-40K-D	D
LSL-2FT-20W-40K-D	A	LSL-4FT-40W-50K-D	C	LSL-8FT-80W-50K-D	D
LSL-2FT-20W-50K-D	A	LSL-4FT-40W-MCT-D	C	LSL-8FT-80W-MCT-D	D
LSL-2FT-20W-MCT-D	A	LSL-6FT-60W-MCT-D	D	LSL-8FT-84W-40K-D-HL	D
LSL-3FT-30W-MCT-D	B	LSL-8FT-80W-40K-D-A	D	LSL-8FT-84W-50K-D-HL	D
LSL-4FT-40W-35K-D	C	LSL-8FT-80W-50K-D-A	D	LSL-8FT-84W-MCT-D-HL	D

Factory-Installed Options

Watts	EM Options	Description	Plug-In Cord	Description	Paint	Sensor	Description
ALL MODELS	OPT-EM-CM1INT	INTERNAL	OPT-HBC-125TL-BK	8FT,15A,125V,WHT	N/A	OPT-SEN-ZUS	ULTRASONIC BI-LEVEL DIMMING (REMOTE NOT NEEDED)
	OPT-EM-CM1INT	INTERNAL	OPT-HBC-277TL-WH	8FT,15A,277V,WHT			
	OPT-EM-CM1INT	INTERNAL	OPT-HBC-1255B-WH	10FT,15A,125V,18/3STR,WHT		WEC-3RC	OPTIONAL RC