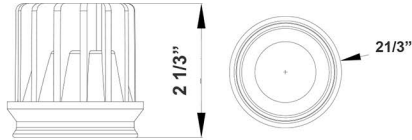


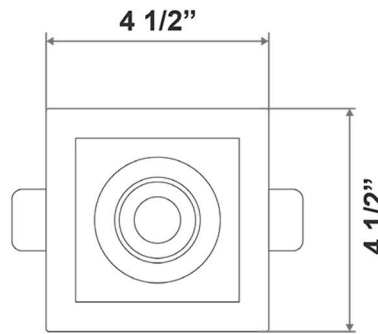
LED Architectural Recessed Lights



A. JUNCTION BOX INCLUDED

Box Dimensions: 5-1/4" x 1-5/8" x 1-1/8"
Junction Area Dimensions: 2-1/16" x 1-5/8" x 1-1/8"

B.



4 1/2"(H) X 4 1/2"(W)

**Wattage**

10W

Voltage Input

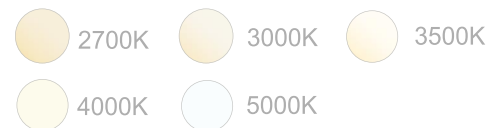
120V AC

Efficacy

Up to 70 LM/W

Dimming

Dimmable Down to 10% Using Standard TRIAC LED Dimmer

FinishDie-Cast Aluminum with Powder Coat
White Finish**Color Temperatures****Beam Angles****Features**

Catalog No.	Fig.
LRD-EGN-10W-D	A.
LRD-10W-WTM1-WH	B.