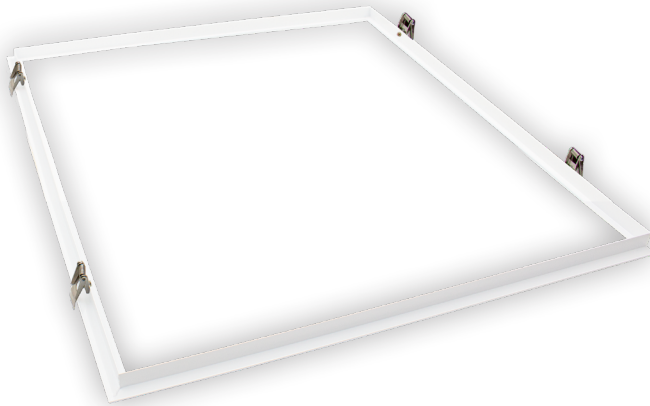


LPNG-RMK-2X2
ACCESSORIES FOR PANEL LIGHTS

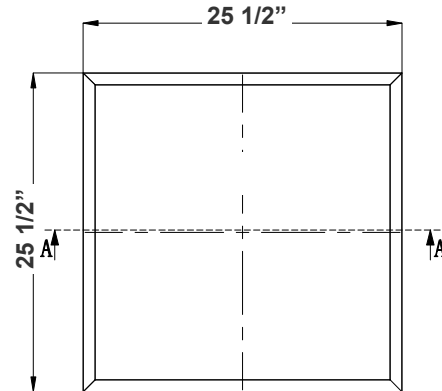
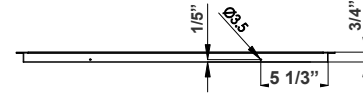
Customer Name: _____

Project Name: _____

Note: _____ Type: _____



2x2' Recessed Mounting Flange Kit for installation in hard ceilings and surfaces



25 1/2" x 25 1/2" x 3/4"

Cutout Dimensions: 23-7/8" X 23-7/8"

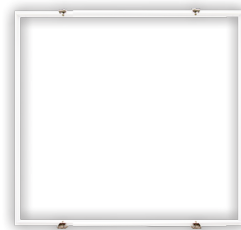
Technical Specifications

- Construction: Extruded aluminum construction with mitered corners for square fit
- Finish: Formulated for high durability and long-lasting color
- Compatible with any standard flat panel and troffer fixtures
- 4 stainless steel snapping clips

Other Views:



Side View

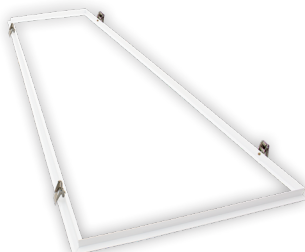


Front View

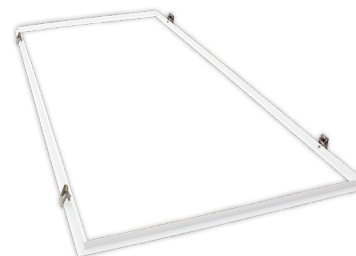


Close up View

Other Models:



• LPNG-RMK-1X4



• LPNG-RMK-2X4

