

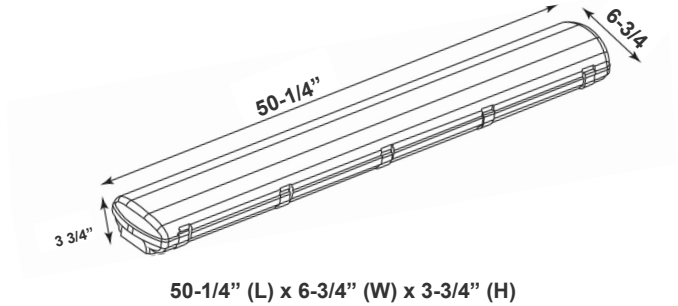
LLVT SERIES Industrial Lighting

LLVT-4FT-40W-MCT-D



Customer Name: _____
Project Name: _____
Note: _____ | Type: _____

This fixture is ideal for workshops, garages, canopies, parking garages, cold storage facilities, food processing facilities, farmyards, and other harsh, humid, dusty, and wet environment lighting applications.



Features

- LED Linear Vapor Light
- Grey Finish
- 5-Year Warranty
- 50,000 Hours Rated Life
- Lens: Opal Polycarbonate
- MCT: Multi Color Temperature (Selectable Switch Inside Fixture)

Technical Specifications

Electrical:

- Voltage: 120-277VAC 50/60Hz
- Wattage: 40W
- Power Factor: >0.98
- Efficacy: 122/ 119/ 135 LPW

Mechanical:

- Grey Finish
- Housing: Bayer® Brand Polycarbonate
- Stainless steel clamp Stainless Steel Mounting Brackets Incorporated on the Back
- Polycarbonate Construction is Highly Impact Resistant
- UV-stabilized Polycarbonate Diffuser Eliminates Glare
- Diffuser Crystals Enhance Even Light Distribution
- Stainless Steel Clips Evenly Seal the Luminaire
- Operating Temp: -22°F to 110°F
- Suitable for Wet Locations
- IP Rating: IP65

Lighting:

- Dimmable: 0~10V Dimming
- LED SMD type: Edison 2835
- Total Lumens: 5224LM/ 5230LM/ 5525LM
- Color Temperatures: 3500K/ 4000K/ 5000K
- Multi-CCT(Selectable Switch Inside Fixture)
- Color Rendering Index: CRI ≥ 80

Applications:

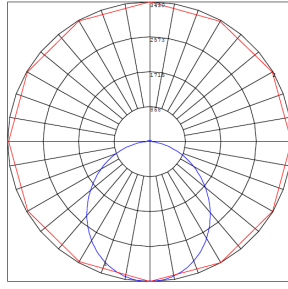
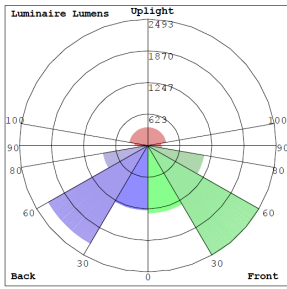
- Ideal for offices, retail stores, showrooms, and residential applications. Uniquely suited for areas where accessing the fixture is challenging

Other Models:

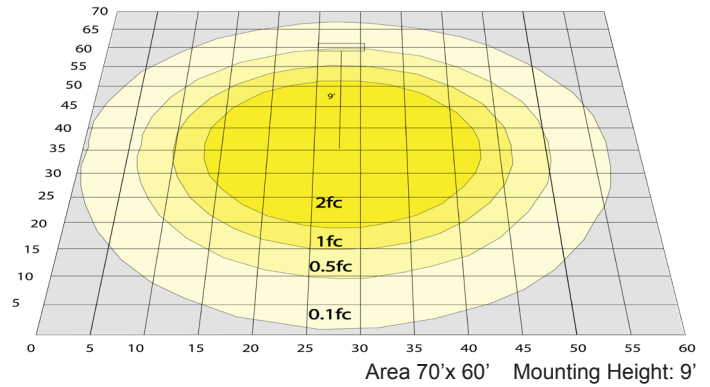
- 25W | 3304LM | LLVT-2FT-25W-MCT-D
- 75W | 9964LM | LLVT-4FT-75W-MCT-D



Photometrics: LLVT-4FT-40W-MCT



BUD Rating: B2-U3-G2



Area 70'x 60' Mounting Height: 9'

Other Views:



Side View



Front View



Back View

Performance Table: LLVT-4FT-40W-MCT

MODEL NO.	Wattage	Voltage	Lumens	Color Temp.	BUG Rating	LPW
LLVT-4FT-75W-MCT-D	40W	120~277V	5224LM	3500K	B2-U3-G2	122
			5230LM	4000K		119
			5525LM	5000K		135

Sample Ordering

Model Size Wattage Color Temp. Feature

LLVT - 4FT - 40W - MCT - D

Accessories:

Blank = No Option For Accessories
LLVT-4FT-RL= 4FT REPLACEMENT LENS

Factory-Installed Options:

Blank = No Option For Accessories
OPT-EM-CM1INT= INTERNAL EMERGENCY BACKUP BATTERY
OPT-HBC-125TL-WH = NEMA TWIST-LOCK PLUG 8FT, 15A, 125V, WHITE
OPT-HBC-277TL-WH = NEMA TWIST-LOCK PLUG 8FT, 15A, 277V, WHITE
OPT-HBC-125SB-WH = STRAIGHT BLADE PLUG 10FT, 15A, 125V, 3-CONDUCTOR 18AWG, WHITE
OPT-SEN-2MDR-36=PROGRAMMABLE MICROWAVE BI-LEVEL SENSOR
WEC-3RC=OPTIONAL REMOTE CONTROL

Example:

1. LLVT-4FT-40W-MCT-D (FOR LLVT 4FT 40W MCT FIXTURE 120-277V)
2. LLVT-4FT-40W-MCT-D OPT-EM-CM2INT (FOR LLVT 4FT 40W MCT FIXTURE 120-277V) (INTERNAL EMERGENCY BACKUP BATTERY)

SENSOR AND EMERGENCY BATTERY BACK UP OPTIONS:



OPT-HBC-125SB-WH



OPT-HBC-125TL-WH



OPT-EM-CM1INT



OPT-HBC-277TL-WH



OPT-SEN-2MDR-36



WEC-3RC

