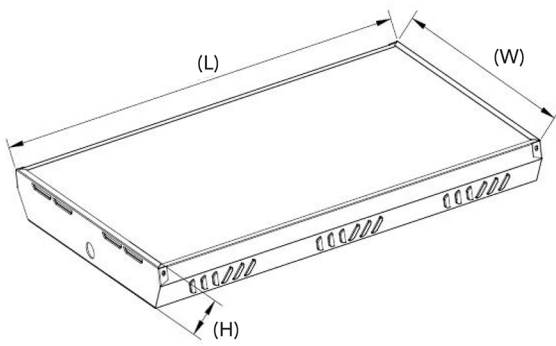


# LED Linear High Bay Lights



46"(L) x 7-7/8"(W) x 2-6/8"(H)

### Wattage

100W / 150W / 220W

### Voltage Input

120~277 VAC/50~60 Hz  
480V

### Efficacy

155 LM/W

### Dimming

0~10V Dimmable

### Finish

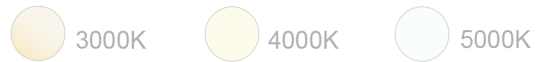
Steel Housing

### Beam Angles



110°

### Color Temperatures



### Features



### Factory-Installed Options

Catalog No.	Fig.	Catalog No.	Fig.
LLHB-120W-50K-D	A.	LLHB-120W-50K-D-480V	A.
LLHB-120W-40K-D	A.	LLHB-120W-40K-D-480V	A.
LLHB-180W-50K-D	A.	LLHB-180W-50K-D-480V	A.
LLHB-180W-40K-D	A.	LLHB-180W-40K-D-480V	A.
LLHB-240W-50K-D	A.	LLHB-240W-50K-D-480V	A.
LLHB-240W-40K-D	A.	LLHB-240W-40K-D-480V	A.

Watts	EM Options	Description	Lens	Description	Paint	Sensor	Description
ALL MODELS	OPT-EM-HB2EXT	MOUNTED ON TOP	OPT-LLHB-CL-120/180	CLEAR LENS FOR 120W/180W	OPT-CLR-95 (BLACK/STEEL)	OPT-2P-58	PIR SENSOR (NOT REMOTE CAPABLE)
			OPT-LLHB-CL-240	CLEAR LENS FOR 240W		OPT-SEN-3MR-4-WH	MICROWAVE BI-LEVEL
	Flex Whip	Description	Surg. Option	Description		WEC-8RC	OPTIONAL REMOTE
	OPT-EM-HB2EXT	8FT 3-WIRE WHIP	OPT-LLHB-SMK	SURFACE MOUNTING OPTION		Plug in Cord	Description
	OPT-EM-HB2EXT	8FT 5-WIRE WHIP	Surge Protector	Description		OPT-HBC-125TL-WH	8FT,15A,125V,WHITE
	OPT-EM-HB2EXT	8FT 5-WIRE WHIP	OPT-SP-10KV	10KV SURGE PROTECTOR		OPT-HBC-277TL-WH	8FT,15A,277V,WHITE
						OPT-HBC-125SB-WH	10FT,15A,125V,18/3SR,WHIT