



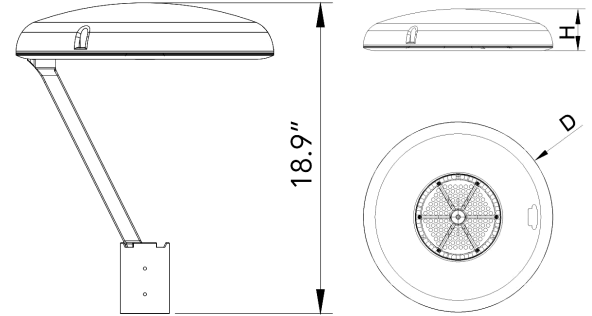
LGP-A2



LGP-A2

DIMENSIONS:

15-3/4"(H) x 3-1/2"(D)



LGP-42W-50K
LGP-42W-40K
LGP-42W-30K

LED AREA LIGHTS

Ideal for general site lighting, alleys, loading docks, doorway, pathway, and parking areas.

ELECTRICAL SPECIFICATIONS:

- Voltage: 100~277VAC, 50/60 Hz
- Wattage: 42W
- Power factor: 0.95
- Efficacy: 138LM/W
- THD: <20%

HOUSING SPECIFICATIONS:

- ADC12 Aluminum sink, outdoor powder coated
- Aluminum LED board
- 6KA lighting surge protection
- Anti-UV & fire resistant
- Operating temperature: -40°F to 104°F
- Lifespan: 70,000 hr.
- IP Rating: IP65

CERTIFICATIONS: UL, DLC



OPTIONAL MOUNTING ARMS:

MODEL	DESCRIPTION
LGP-EXTERM	Optional Straight Arm for Wall/Post Mounting (Not Included)
LGP-A2	Auxiliary Second Arm (Not Included)

LIGHTING SPECIFICATIONS:

- Dimmable: 0~10V Dimming
- Lens: optical Lens
- LED: Lumileds LEDs
- Total lumens: 5800LM
- Cord type: 4' SJTW 18/3 AWG cable
- High transmittance PC
- Optional photocell (add "-P")
- Color temperature: 5000K/4000K/3000K
- Color rendering index: >70
- Beam Angle: 90°

WARRANTY: 7 years

