

LFXE SERIES Outdoor Lighting

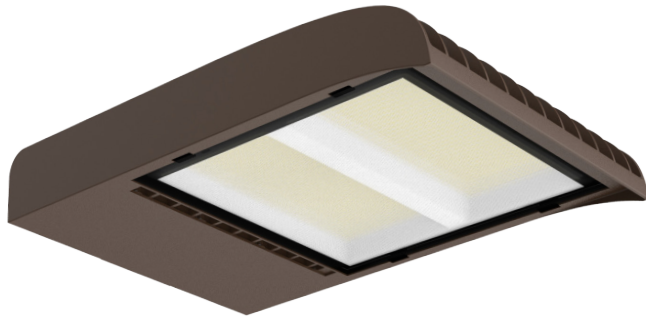
LFXE-XL-200-300W-50K-P
BUILDER SERIES FLOOD/AREA LIGHTS WITH PHOTOCELL
MP Multi Power/Wattage (Selectable)

WESTGATE
THE FUTURE IS HERE...AND IT'S QUITE BRIGHT!

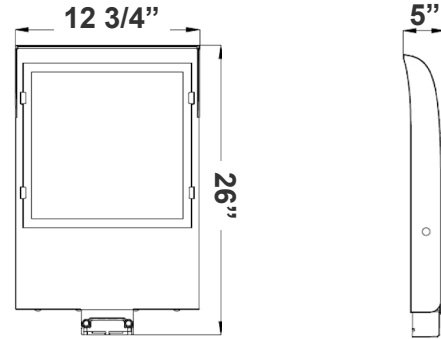
Customer Name: _____

Project Name: _____

Note: _____ Type: _____



Ideal for general site lighting, alleys, loading docks, doorway, pathway, and parking areas.



26"(H) x 12 3/4"(W) x 5"(D)

Features

- Solid State Lighting Technology For Long Life
- No Maintenance Needed and High-Efficiency
- Optic Lens Type: III
- Multi-Power - The Switch is On the Bottom Of The Fixture

Technical Specifications

Electrical:

- Voltage: 120~277V AC/50~60 Hz
- Wattage: 200W//240 W/300W
- Power Factor: >0.9
- Efficacy: 135 LPW

Mechanical:

- With Snap-on & Bolt Mounting Options for One- Person Installations. Select a Mounting Option (Sold Separately)
- Die-Cast Aluminum Housing with Powder Coat Finish (Dark Bronze)
- Photocell Included (With Disconnect Switch)
- 10KV Lightning Surge Protection
- Effective Projected Areas (EPA's) are: Front = 0.38 ft², Side = 0.30 ft², Face = 1.05 ft²
- Operating Temperature: -40°F to 104°F
- IP Rating: IP65, Suitable for Wet Locations
- 7-Year Warranty

Lighting:

- Multi-Power - The Switch is On The Bottom Of The Fixture
- Dimming: 0~10V Dimmable
- Optic Lens Type: III
- Cord Type: 6' SJTW 18/3 AWG cable
- Total Lumens: 40500LM Max.
- Color Temperature: 5000K
- Color Rendering Index: ≥ 82
- Beam Angle: 120° X 90°
- 70,000 Hours Rated Life

Applications:

- Ideal for general site lighting, alleys, loading docks, doorway, pathway and parking areas.
- Replace existing HID flood lights/ wall packs

Other Models:

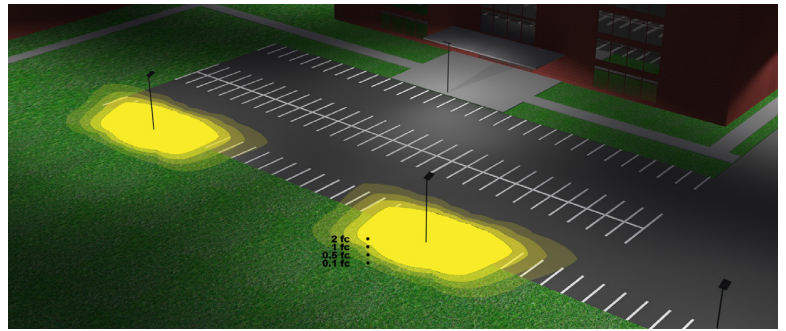
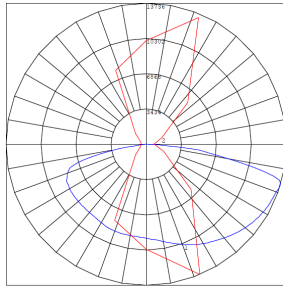
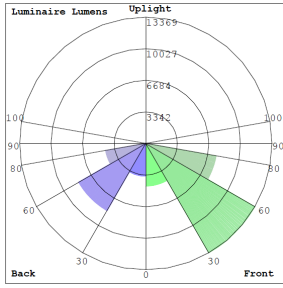
- 300W | 40500LM | LFEXE-XL-200-300W-MCTP-P



Phone: (877) 805-2252 | Fax: (877) 805-2252
www.westgatemfg.com |



Photometrics: LFXE-XL-200-300W-50K-P



BUG Rating: B4-U0-G4

Area 65'x 120' Mounting Height: 20'

Other Views:



Side View
Shown with U bracket



Front View



Back View

Performance Table: LFXE-XL-200-300W-50K-P

MODEL NO.	Wattage	Voltage	Lumens	Color Temp.	BUG Rating	LPW
LFXE-XL-200-300W-50K-P	200W	120~277V	27000LM	5000K	B4-U0-G4	135
	240W		32400LM			
	300W		40500LM			

Sample Ordering

Model Size Min. Max.Wattage Color Temp.Photocell

LFX - XL - 200 - 300W - 50K - P

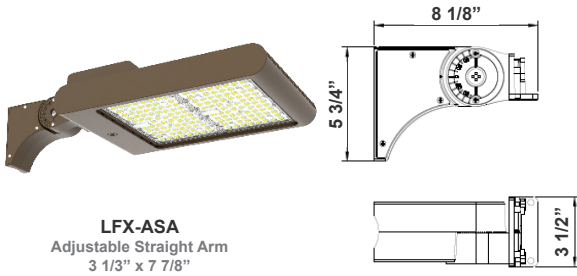
Example:

1. LFXE-XL-200-300W-50K-P

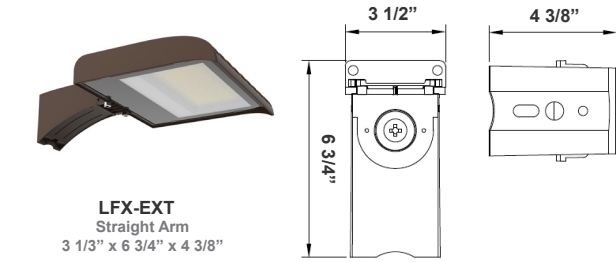
(For LFXE 300W 5000K fixture 120V-277V)



Mounting Options:



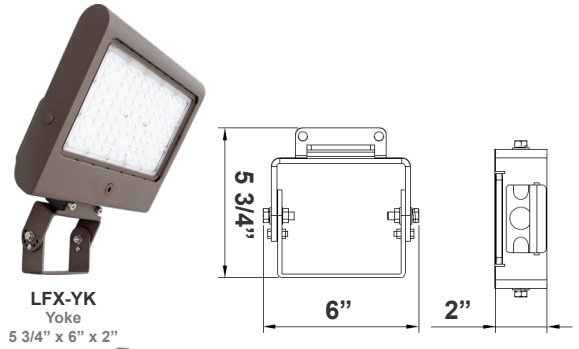
LFX-ASA
Adjustable Straight Arm
3 1/3" x 7 7/8"



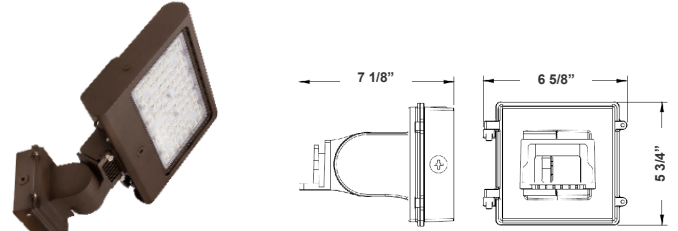
LFX-EXT
Straight Arm
3 1/3" x 6 3/4" x 4 3/8"



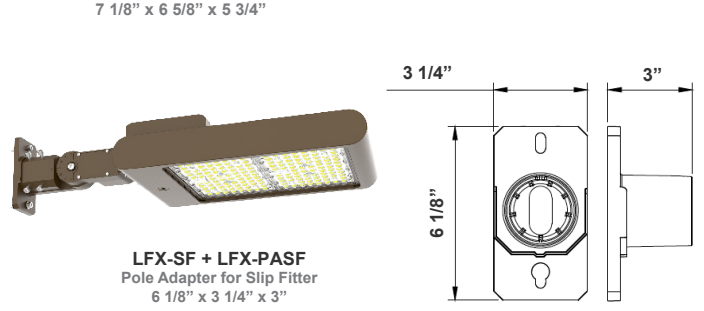
LFX-SF
Slip Fitter
3 1/3" x 7 7/8"



LFX-YK
Yoke
5 3/4" x 6" x 2"



LFX-AWB
Adjustable Wall Junction Box
7 1/8" x 6 5/8" x 5 3/4"



LFX-SF + LFX-PASF
Pole Adapter for Slip Fitter
6 1/8" x 3 1/4" x 3"

Custom Color Available

