

# LFX-SM SERIES Outdoor Lighting

LFX-SM-10-30W-MCTP-TR

**MCTP** Multi Color Temperature & Multi Power/Wattage (Selectable)

**WESTGATE**  
THE FUTURE IS HERE...AND IT'S QUITE BRIGHT!



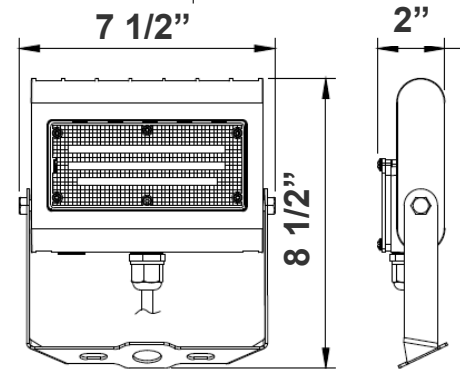
Ideal for general site lighting, alleys, loading docks, doorway, pathway, and parking areas.

Customer Name: \_\_\_\_\_

Project Name: \_\_\_\_\_

Note: \_\_\_\_\_

Type: \_\_\_\_\_



8 1/2"(H) x 7 1/2"(W) x 2"(D)

## Features

- DLC Premium & LED High-Lumen Flood lights
- Solid State Lighting Technology for Long Life
- No Maintenance Needed and High-Efficiency

- 70,000 Hours Rated Life
- 7-Year Warranty
- Optic Lens Type: III
- Multi-CCT Power - The Switch is on the Bottom of the Fixture

## Technical Specifications

### Electrical:

- Voltage: 120~277V AC/50~60 Hz
- Wattage: 10W/ 15W/ 20W/ 30W
- Power Factor: >0.9
- Efficacy: 130 LPW

### Mechanical:

- Die-cast Aluminum Housing with Powder Coat Finish (Dark Bronze and White Finish)
- Solid State Lighting technology for long life, no Maintenance needed and High-Efficiency
- High Conductive Aluminum LED Board
- 270° Adjustable Yoke Mount
- IP Rating: IP65
- Operating Temperature: -40°F to 104°F
- Suitable for Wet Locations

### Lighting:

- Dimming: 0~10V Dimmable
- Optic Lens Type: III
- Cord type: 13" #18 AWG stranded wires
- Multi-CCT Power - The Switch is on the Bottom of the Fixture
- Total Lumens: 3900LM Max
- Color Temperature: 3000K/ 4000K/ 5000K/ 5700K
- Color Rendering Index: ≥ 82
- Beam Angle: 120°X 90°

### Applications:

- Ideal for general site lighting, alleys, loading docks, doorway, pathway and parking areas.
- Replace existing HID flood lights/ wall packs

### Other Models:

- 50W | 6700LM | LFX-MD-15-50W-MCTP-TR

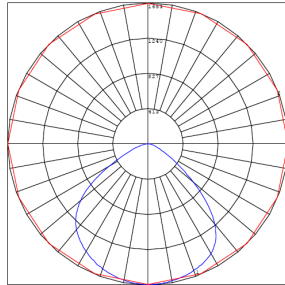
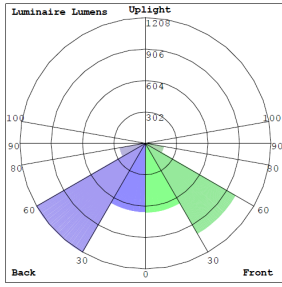


Phone: (877) 805-2252 | Fax: (877) 805-2252  
www.westgatemfg.com |

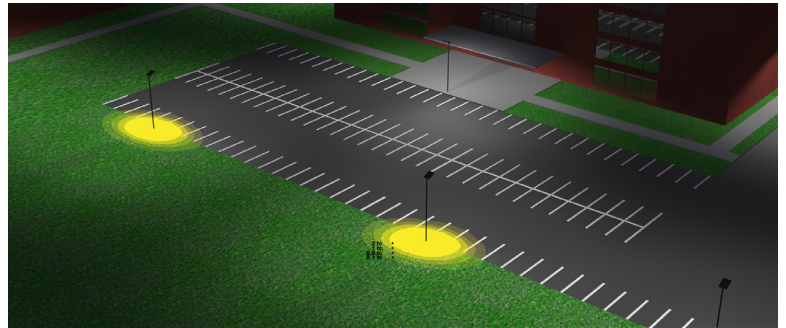


WG-ZB-Y6-2Z

**Photometrics:** LFX-SM-10-30W-MCTP-TR



BUG Rating: B2-U0-G1

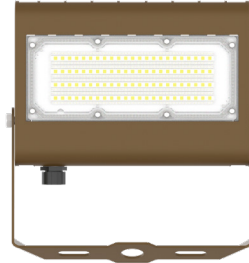


Area 40'x 50' Mounting Height: 20'

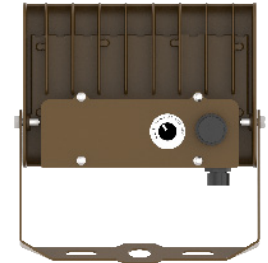
**Other Views:**



Side View



Front View



Back View

**Performance Table:** LFX-SM-10-30W-MCTP-TR

| MODEL NO.             | Wattage | Voltage  | Lumens | Color Temp.                      | BUG Rating | LPW |
|-----------------------|---------|----------|--------|----------------------------------|------------|-----|
| LFX-SM-10-30W-MCTP-TR | 10W     | 120~277V | 1210LM | 3000K<br>4000K<br>5000K<br>5700K | B2-U0-G1   | 130 |
|                       |         |          | 1250LM |                                  |            |     |
|                       |         |          | 1280LM |                                  |            |     |
|                       |         |          | 1280LM |                                  |            |     |
|                       |         |          | 1800LM |                                  |            |     |
|                       | 15W     |          | 1880LM |                                  |            |     |
|                       |         |          | 1930LM |                                  |            |     |
|                       |         |          | 1930LM |                                  |            |     |
|                       |         |          | 2340LM |                                  |            |     |
|                       |         |          | 2400LM |                                  |            |     |
|                       | 20W     |          | 2500LM |                                  |            |     |
|                       |         |          | 2500LM |                                  |            |     |
|                       |         |          | 3830LM |                                  |            |     |
|                       |         |          | 3880LM |                                  |            |     |
|                       |         |          | 3880LM |                                  |            |     |
| 30W                   | 3900LM  |          |        |                                  |            |     |



## Accessories Options

Blank = No Option For Accessories

WRC-3-BRZ =Weatherproof cover with three(3) 1/2" hubs

LF3-SH2 = Shroud for LF3 50W Reversible

LF3-SH2FG = Full-Glare Shroud for LF3 SM

## Sample Ordering

| Model | Size | Min.Wattage | Max.Wattage | Color Temp. | Mount |
|-------|------|-------------|-------------|-------------|-------|
| LFX   | SM   | 10          | 30W         | MCTP        | TR    |

## ACCESSORIES AND MOUNTING OPTIONS



LF3-SH2  
Shroud (Reversible)



LF3-SH2FG  
Full-Glare Shroud

### Color Options: Custom Color Available

Black Silver White Dark Bronze Green Red Yellow  
Default color

