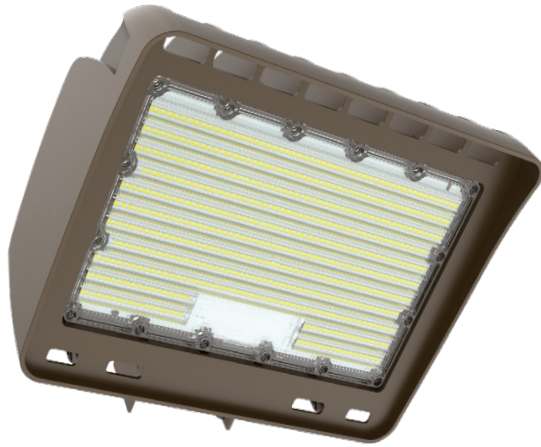


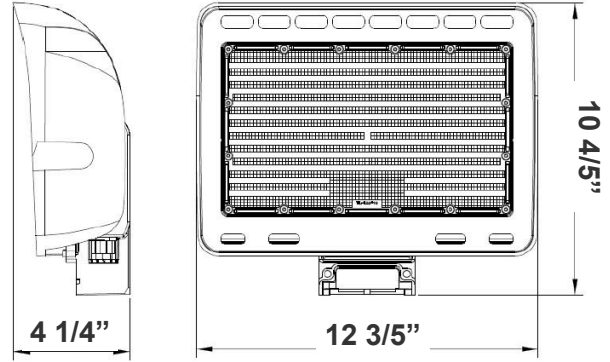
# LF4PRO SERIES Outdoor Lighting

LF4PRO-50-150W-MCTP  
POWER & CCT ADJUSTABLE ARCHITECTURAL FLOOD LIGHT

**WESTGATE**  
THE FUTURE IS HERE...AND IT'S QUITE BRIGHT!



Customer Name: \_\_\_\_\_  
Project Name: \_\_\_\_\_  
Note: \_\_\_\_\_ | Type: \_\_\_\_\_



12 3/5" (W) x 10 4/5" (H) x 4 1/4" (D)

Ideal for general site lighting, alleys, loading docks, doorway, pathway, and parking areas.

## Features

- LED Flood Light
- With snap-on & bolt mounting options for one-person installations.
- Select a mounting option (Sold separately)
- 70,000 Hours Rated Life
- 7-Year Warranty
- Optic Lens Type: III
- Multi-CCT & Multi-Power - The Switches are on the Bottom of the Fixture

## Technical Specifications

### Electrical:

- Voltage: 120~277VAC/50~60 Hz
- Wattage: 50W 80W 100W 150W
- Power factor: >0.9
- Efficacy: 125LPW

### Mechanical:

- Housing: Die-cast Aluminum Housing with Powder Coat Finish (Dark Bronze)
- 6KV Lightning Surge Protection
- IP Rating: IP65
- Operating Temperature: -40°F to 104°F
- Suitable for Wet Locations
- Effective projected areas (EPA's) are:  
Front = 0.38 square feet  
Side = 0.30 square feet  
Face = 1.05 square feet

### Lighting:

- Dimming: 0~10V dimmable
- LED: LUMILEDS 2835 LED
- Multi-CCT & Multi-Power - The Switches are on the Bottom of the Fixture
- Cord Type: 6' SJTW 18/3 AWG cable
- Total Lumens: 18750LM
- Color Temperature: 3000K/4000K/5000K/5700K
- Color Rendering Index: ≥ 70
- Beam Angle: 120°x90°

### Applications:

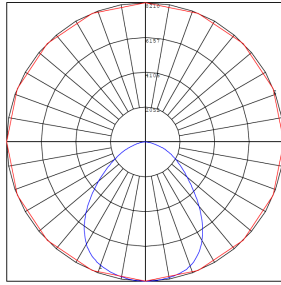
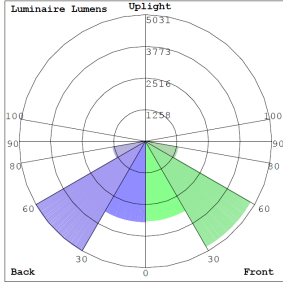
- Ideal for general site lighting, alleys, loading docks, doorway, pathway and parking areas.
- Replace existing HID flood lights/ wall packs
- Great for use with motion sensors or other bi-level controls



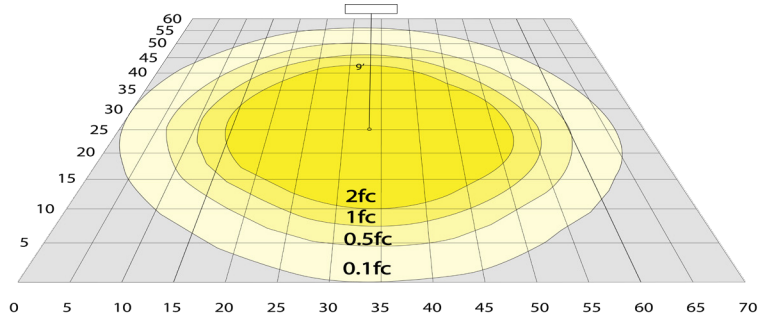
Phone: (877) 805-2252 | Fax: (877) 805-2252  
www.westgatemfg.com | www.westgatecontrols.co



# Photometrics: LF4PRO-50-150W-MCTP



BUG Rating: B4-U0-G1



Area 60'x 70' Mounting Height: 20'

## Other Views:



Side View



Front View



Back View

## Performance Table: LF4PRO-50-150W-MCTP

MODEL NO.	Wattage	Voltage	Lumens	Color Temp.	BUG Rating	LPW
LF4PRO-50-150W-MCTP	50W	120~277V	6250LM	3000K	B4-U0-G1	125
	80W		10000LM	4000K		
	100W		12500LM	5000K		
	150W		18750LM	5700K		

## Sample Ordering

Model Min.Wattage Max.Wattage Color Temp.

LF4PRO - 50 - 150W - MCTP

## Accessories

Blank = No Option for Accessories  
WEC-8RC = Remote Control for OPT-SEN-3MR-4

## Factory-Installed Options

Blank = No Option For Accessories  
OPT-EM-OD2EXT = Emergency Battery Backup  
OPT-3MPC = Microwave Photocell with a 1/2" threaded  
OPT-SEN-3MR-3 = Programmable Microwave BI-Level Sensor

## ACCESSORIES:



WEC-8RC

## FACTORY-INSTALLED OPTIONS:



OPT-SEN-3MR-3



OPT-3MPC



OPT-EM-OD2EXT

## Example:

1. LF4PRO-50-150W-MCTP
2. LF4PRO-50-150W-MCTP  
WEC-8RC
3. LF4PRO-50-150W-MCTP  
WEC-7RC  
OPT-SEN-3MR-3

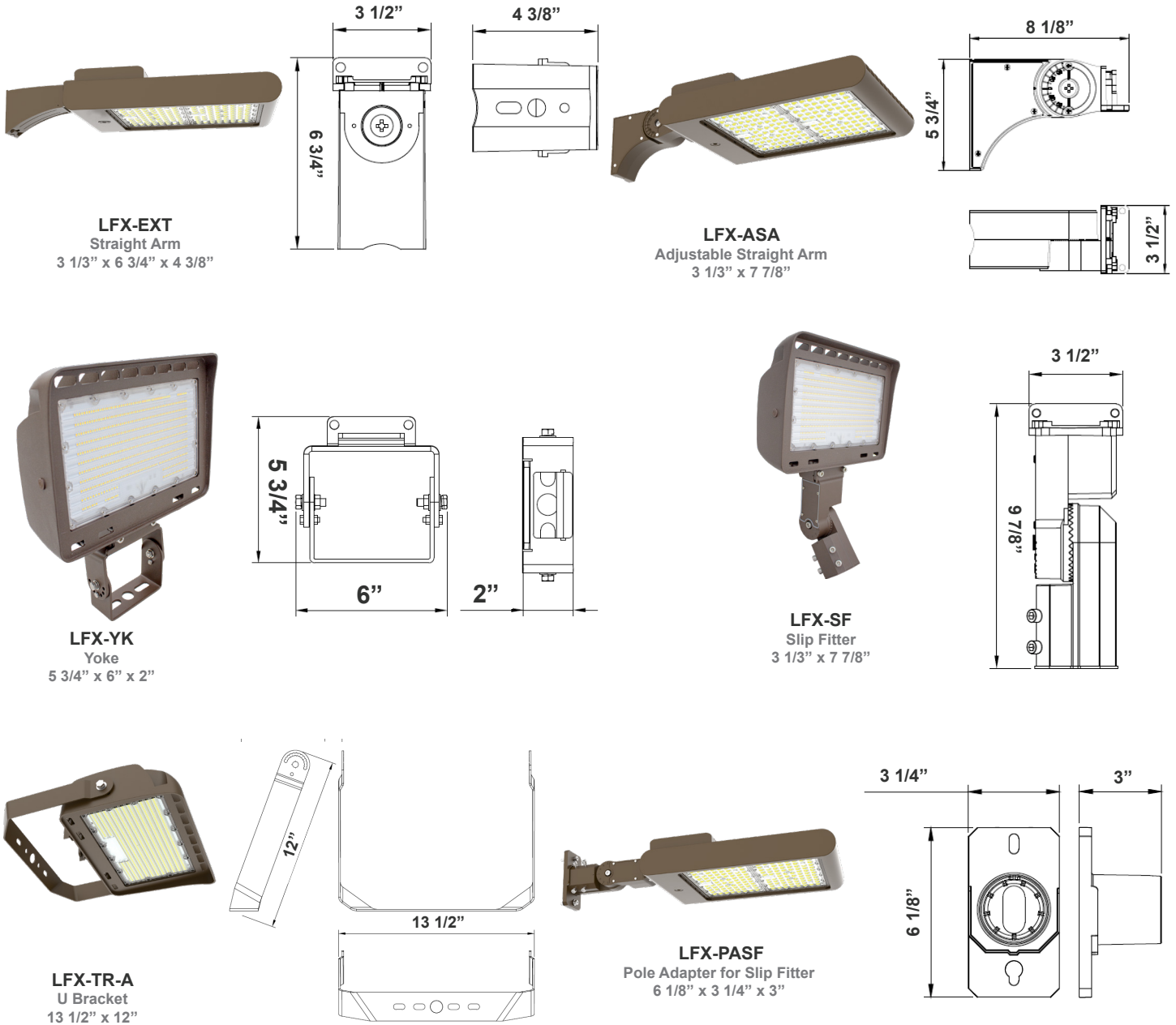
(For LF4PRO 150W MCTP fixture 120V-277V)

(For LF4PRO 150W MCTP fixture 120V-277V)  
(For Remote Control)

(For LF4PRO 150W MCTP fixture 120V-277V)  
(For Remote Control)  
(For Programmable Microwave BI-Level Motion Sensor)



## Mounting Options:



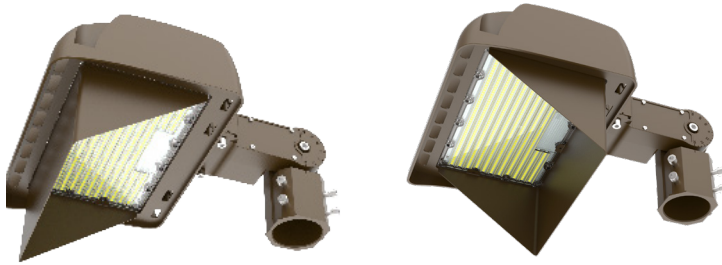
## Color Options:

Customize color available

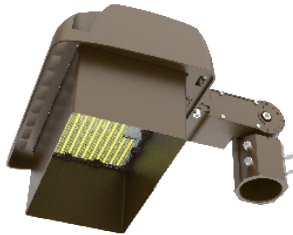
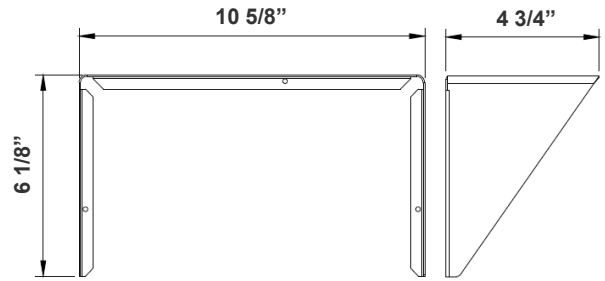
Black Silver White **Dark Bronze** Green Red Yellow  
Default color



## Shroud & Wire Guard:



**LF-SHROUD-A**  
Shroud  
6 1/8" x 10 5/8" x 4 3/4"



**LF-SHROUD-D**  
Shroud  
6 1/4" x 10 5/8" x 4 3/4"

