

JOB NAME: _____

DATE: _____

TYPE: _____



LESW-15W-50K-P
LESW-15W-30K-P

LESW-15W-50K-P-WH
LESW-15W-30K-P-WH

LED SMALL NON-CUTOFF WALL PACK WITH PHOTOCELL

Ideal for general site lighting, loading docks, doorway, pathway, and parking areas.

ELECTRICAL SPECIFICATIONS:

- Voltage: 100~277VAC, 60 Hz
- Wattage: 15W
- Power factor: 0.9
- Efficacy: 125 LM/W

HOUSING SPECIFICATIONS:

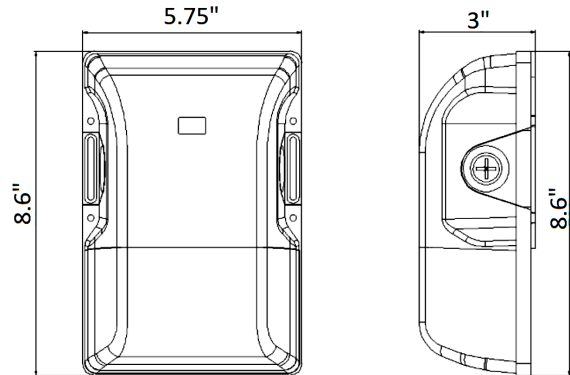
- Aluminum housing with Bronze/White finish
- Internal Driver
- NO UV & IR in the beam
- Operating temperature: -4°F to 113°F
- Lifespan: 70,000 hr.
- IP Rating: IP65

CERTIFICATIONS: UL



DIMENSIONS:

8.6"(L) x 5.75"(W) x 3"(H)



MODEL	WATTS	VOLTAGE	LUMENS	COLOR TEMP
LESW-15W-50K-P	15W	100~277VAC	1875LM	5000K
LESW-15W-30K-P	15W	100~277VAC	1675LM	3000K
LESW-15W-50K-P-WH	15W	100~277VAC	1875LM	5000K
LESW-15W-30K-P-WH	15W	100~277VAC	1675LM	3000K

LIGHTING SPECIFICATIONS:

- Lens: Polycarbonate lens
- LED Type: 2835(0.5W)
- Total lumens: 1675LM/1875LM
- Color temperature: 5000K/3000K
- Color rendering index: >80
- Beam Angle: 110°

WARRANTY: 7 years

