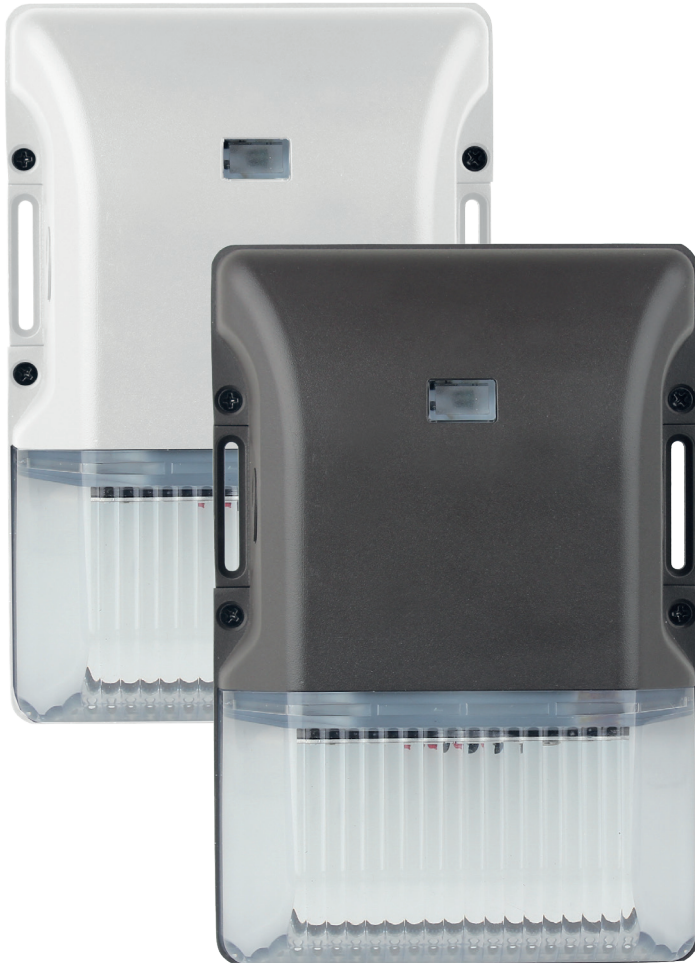


# LESW

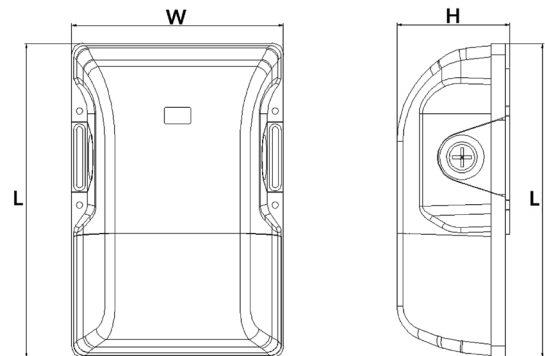


## TECHNICAL SPECIFICATIONS:

- :: Aluminum housing, outdoor powder coated
- :: Optical Lens: High transmittance PC, Anti-UV & Fire resistant
- :: Includes pre-wired photo electric control
- :: 120V AC, 60Hz
- :: Non-cutoff optics ideal for maximum light distribution
- :: CRI: >80
- :: Power Factor: 95%
- :: Operating Temp: -4°F to 104°F
- :: 70,000 hour rated life
- :: 7-year warranty
- :: Suitable for Wet Locations, IP54

## APPLICATIONS:

- :: Ideal for general site lighting, loading docks, doorway, pathway and parking areas.



## LED SMALL NON-CUTOFF WALL PACKS WITH PHOTOCELL

CATALOG NO.		WATTS	LUMENS	COLOR TEMP	DIMENSIONS
BRONZE	WHITE				
LESW-15W-50K-P	LESW-15W-50K-P-WH	15W	1675LM	5000K	8.5"(L) x 5.8"(W) x 3"(H)
LESW-15W-30K-P	LESW-15W-30K-P-WH	15W	1875LM	3000K	
LESW-20W-50K-P	LESW-20W-50K-P-WH	20W	2300LM	5000K	
LESW-20W-30K-P	LESW-20W-30K-P-WH	20W	2500LM	3000K	