

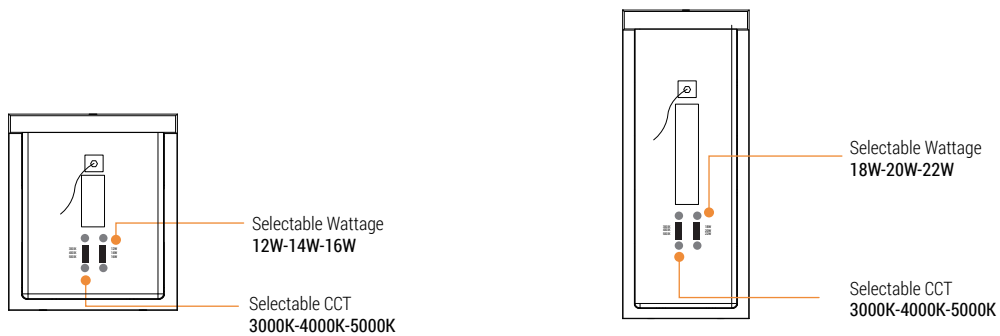
Wall Light Series LED Wall Sconce Light

WARNING

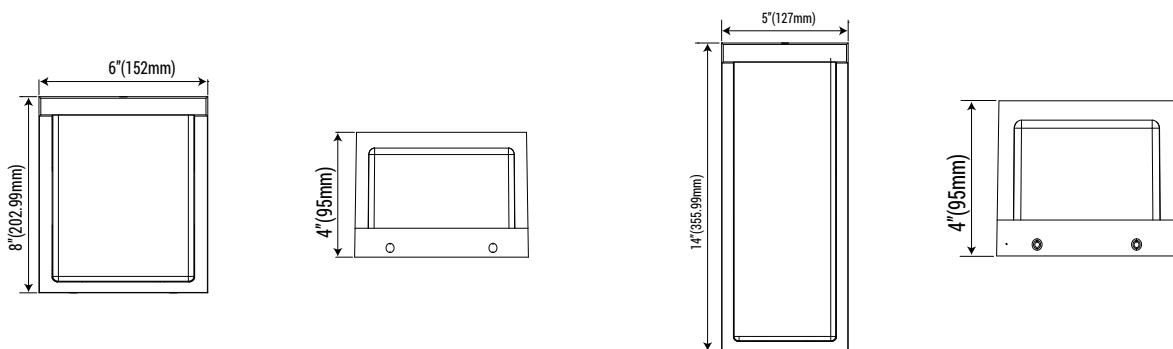
PLEASE READ ALL INSTRUCTIONS BEFORE ATTEMPTING INSTALLATION

- To prevent personal injury or product damage only licensed electricians should install.
- To avoid electric shock or component damage disconnect power before attempting installation or servicing.
- Disconnect product and allow cooling prior to servicing.
- Any alteration or modification and/or electrical shock this product is forbidden as it may cause personal injury, death property damage and/or product malfunction.
- This luminaire is designed to operate in ambient temperatures ranging from -20°C to 40°C (-4°F to 104°F)
- MIN 75°C SUPPLY CONDUCTORS.
- CONSULT A QUALIFIED ELECTRICIAN TO ENSURE CORRECT BRANCH CIRCUIT CONDUCTOR.

Mounting Bracket

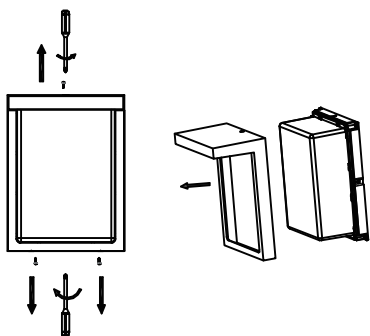


Dimensions

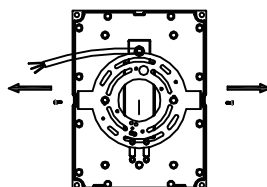


Installation Method A

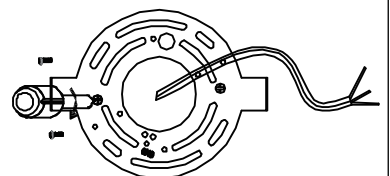
Step 1: Remove the 3 screws on the PC frame, one on the top and the other two at the bottom, then take out the PC frame.



Step 2: Remove the screws on both sides of the light, and take out the installation bracket.

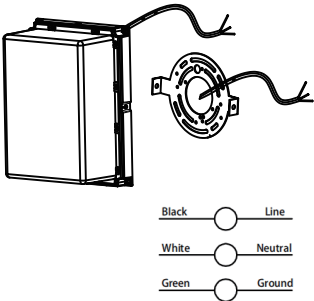


Step 3: Screw the bracket onto the wall.

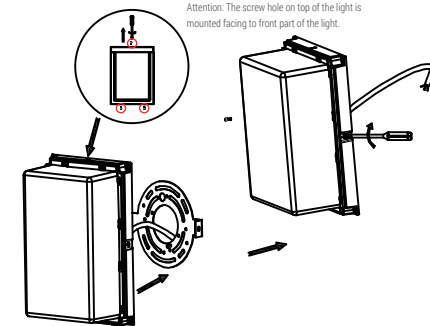


Wall Light Series LED Wall Sconce Light

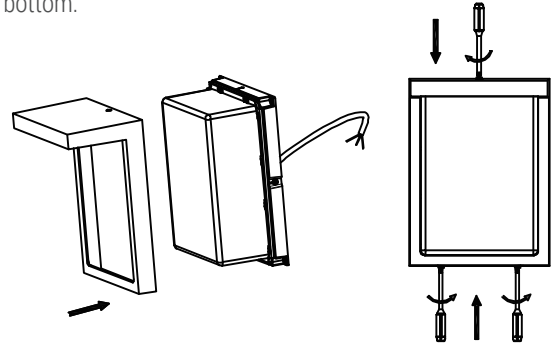
Step 4: Connect the light cable to the power input cable.



Step 5: Screw and fasten the light on the bracket with screws on both sides of the lights.

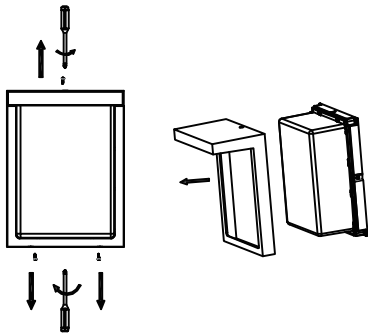


Step 6: Screw and fasten the PC frame back to the light with one screw on the top and two screws at the bottom.

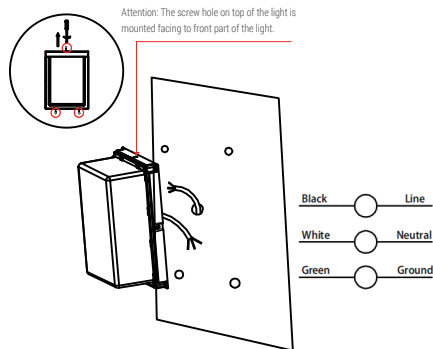


Installation Method B

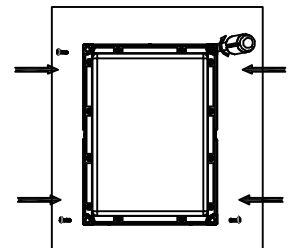
Step 1: Remove the 3 screws on the PC frame, one on the top and the other two at the bottom, then take out the PC frame.



Step 2: Connect the light cable to the power input cable.



Step 3: Screw and fasten the light to the wall with 4 KA5X12 screws on the 4 corners of the light.



Step 4: Screw and fasten the PC frame back to the light with one screw on the top and two screws at the bottom.

