

**PLEASE READ THESE INSTRUCTIONS CAREFULLY  
AND SAVE THEM, AS YOU MAY NEED THEM AT A  
LATER DATE.**



**WARNING:** Failure to install and wire fixture in accordance with the National Electrical Codes (NEC), all applicable Federal, State and Local electrical codes, as well as Specific U.L. safety standards for the intended working environment (location/application) may cause serious personal injury, death and/or property damage. This product must be installed by a person familiar with the construction and operation of the product and the hazards involved.

**CAUTION: TURN OFF POWER FROM THE MAIN CIRCUIT BEFORE INSTALLING FIXTURE.**

**Make sure fixture is grounded per National Electrical Codes (NEC).**

**Caution:** These fixtures are intended to be mounted to a outlet box. The box must be directly supported by the building structure. This fixture is suitable for wet location.

**Important Note:** The safeguards and instructions appearing in this page, are not meant to cover all possible conditions and situations that may occur. It may be understood that common sense, cautions and care are factors, which cannot be built into any product. The person(s) installing, operation and responsible for the light fixture, must execute these factors.

**Warning:** For use on 120V 60Hz circuits only. Risk of fire and electrical shock. Most dwellings built before 1985 have supply wires rated 60°C. Consult a qualified electrician before installing. If supply wires are located within 3 inches to the driver use wires

Figure 1

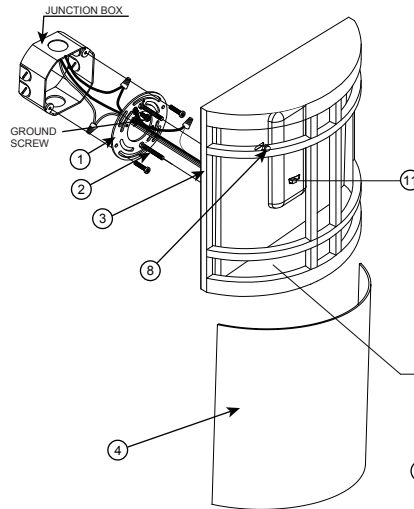
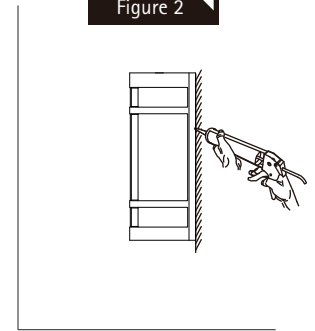


Figure 2



## Assembly Instructions

### Step 1 – Preparing for installation.

- Disconnect electrical power at fuse or circuit breaker box before installing or servicing any part of this fixture.
- Carefully remove the fixture from the carton and check that all parts are included.
- Disassemble mounting bracket (1) from the fixture housing (3) by removing all necessary components per illustration shown.
- Install mounting bracket (1) to the junction box (not included).

**Wiring-all wiring must take place inside junction box (not included).**

### Step 2 – Wiring fixture.

- Make all wire connections to appropriate wire. Secure with wire nuts (provided).
- Connect the bare wire from the fixture and the supply power source ground wire.
- Connect the black wire from the fixture to the black (L) wire from supply power source.
- Connect the white wire from the fixture to the white (N) wire from supply power source.
- Pull on each wire lead to make sure connections are secure. Make certain no bare wires are exposed outside of wire connectors. Tuck all connections neatly into the junction box.

### Step 3 – Mounting.

- Place the fixture housing(3) on the mounting bracket(1), install the fixture housing(3) by twisting finials(8). Make sure the unit is tightened against the wall.
- Slide the CCT switch(11) on the DOB of fixture to select from 2700K, 3000K, 3500K, 4000K, 5000K.
- Slide the diffuser(4) into the fixture housing(3) from bottom. Twist the metal clips(7) to hold the diffuser.
- Apply a small amount of silicone (not included) per manufacturer's instruction around finials (8) and around the fixture housing (3) where it contacts with the surface of the wall.(see figure 2)

**Step 4 – Restore power at fuse or circuit breaker box.**