

LDSL SERIES

Outdoor Lighting

WESTGATE
THE FUTURE IS HERE...AND IT'S QUITE BRIGHT!

LDSL-MCT-D-BZ



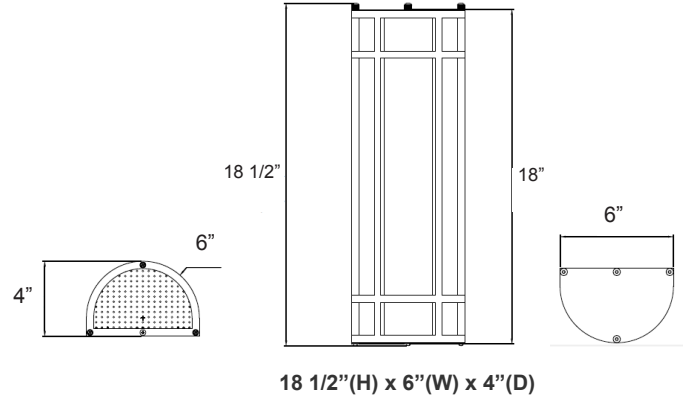
Wall sconce fixture updated with the latest in LED technology. It provides accent illumination that visually expands the space and creates a relaxing atmosphere. Ideal for use in hallways, stairways, dining areas, foyers, and meeting rooms for residential and commercial applications. The long LED life, coupled with exceptional color rendering, make this fixture attractive for new or retrofit projects.

Customer Name: _____

Project Name: _____

Note: _____

Type: _____



Features

- High-Transmission Frosted Plastic Lens with Excellent Distribution and Uniformity
- Direct replacement for Fluorescent
- Full distribution LED luminaries
- 70,000 Hours Rated Life
- 7-Year Warranty

Technical Specifications

Electrical:

- Voltage: 120~277VAC/50~60 Hz
- Wattage: 20W
- Power factor: >0.9
- Efficacy: 75 LPW

Mechanical:

- Die-cast Aluminum Housing with Powder Coat Finish (Dark Bronze)
- High-Transmission Frosted Plastic Lens with Excellent Distribution and Uniformity
- Direct replacement for Fluorescent
- Full distribution LED luminaries
- IP Rating: IP65
- Operating Temperature: -4°F to 113°F
- Suitable for Wet Locations
- 7-Year Warranty

Lighting:

- Dimming: Dimming: 0~10V Dimmable
- Multi CCT: Selectable CCTs Switch located on the LED Board
- Total Lumens: 1500LM
- Color Temperature: 3000K/ 4000K/ 5000K
- Color Rendering Index: ≥ 80
- Beam Angle: 120°
- 70,000 Hours Rated Life

Applications:

- Motel, Hotels, Hospitals, hallways, stairways, dining areas, foyers, and meeting rooms

Other Models:

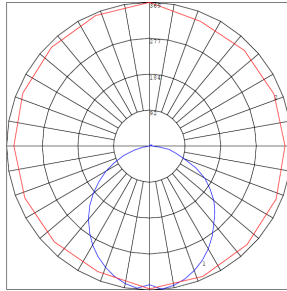
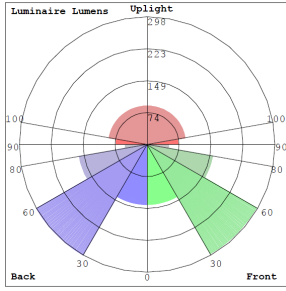
- 20W | 1500LM | LDSL-MCT-D-SIL



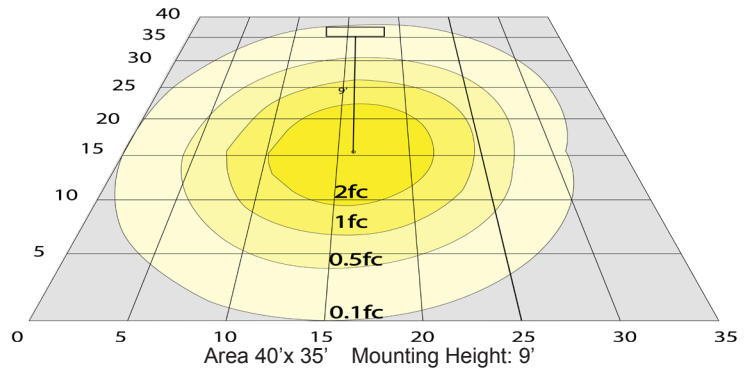
Phone: (877) 805-2252 | Fax: (877) 805-2252
www.westgatemfg.com



Photometrics: LDSL-MCT-D-BZ



BUG Rating: B1-U3-G1



Other Views:



Side View



Front View



Back View

Performance Table: LDSL-MCT-D-BZ

MODEL NO.	Wattage	Voltage	Lumens	Color Temp.	BUG Rating	LPW
LDSL-MCT-D-BZ	20W	120~277V	1500LM	3000K 4000K 5000K	B1-U3-G1	75

Sample Ordering

Model Color Temp. Dimming Housing

LDSL - MCT - D - BZ

Factory-Installed Option:

Blank = No Option For Accessories

OPT-EM-LSW = EMERGENCY BATTERY BACKUP OPTION

FACTORY-INSTALLED OPTION:



OPT-EM-LSW
EMERGENCY BATTERY BACKUP OPTION

Example:

1.LDSL-MCT-D-BZ

(For LDSL 20W MCT FIXTURE 120~277V)

2.LDSL-MCT-D-BZ

(For LDSL 20W MCT FIXTURE 120~277V)

OPT-EM-LSW

(EMERGENCY BATTERY BACKUP OPTION)

WESTGATE

Phone: (877) 805-2252 | Fax: (877) 805-2252
www.westgatemfg.com

