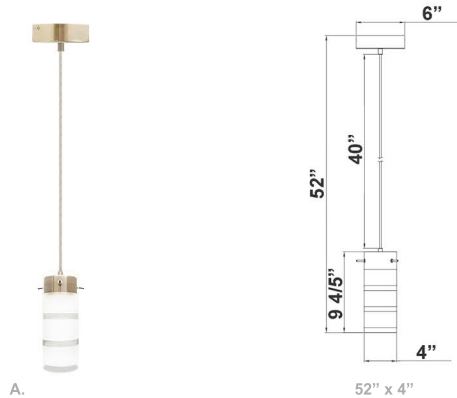
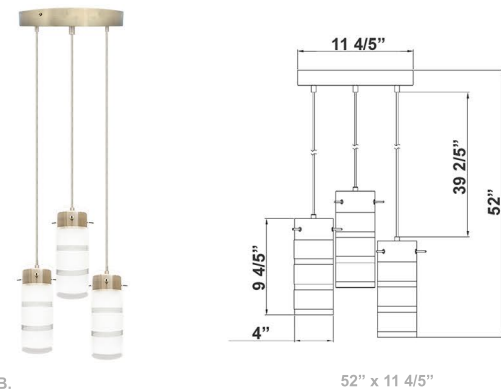


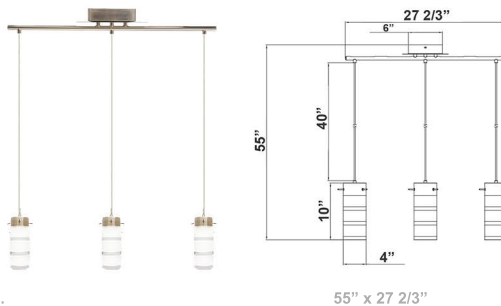
Integrated LED Cylinder Glass Pendant Lights



A.



B.



C.

Wattage

12W / 36W

Voltage Input

120V AC
50Hz / 60Hz

Efficacy

68 LPW

Dimming

Dimmable Down to 5% Compatible with TRIAC and ELV Dimmers

Finish

Glass Material: 5/64" (2mm) Thickness
Ultra Clear Glass
Brushed Nickel Finish

Color Temperatures



Beam Angles



Features



Catalog No.	Fig.
LCFB-1L-MCT5	A.
LCFB-3LR-MCT5	B.
LCFB-3LS-MCT5	C.