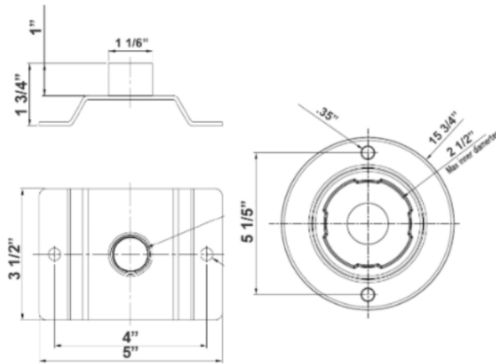


Post Disk Light with Catenary Suspension Adapter



A.

SUSPENSION CABLE
IS NOT INCLUDED



15 3/4" (W) X 10 1/3" (H)

Wattage

18W / 30W / 45W / 60W

Voltage Input

100-277V AC 50/60z

Efficacy

150 LM/W

Dimming

0-10V Dimming




Finish

Die-cast Aluminum Housing with Powder Coat Finish

Beam Angles

 Type V (150° x 150°)

Color Temperatures

 3000K  4000K  5000K

Features



Factory-Installed Options

Catalog No.	Fig.	Watts	EM Options	Description	Photocell	Description	Paint	Sensor	Description
GPX-18-60W-MCTP-CAT	A.	GPX	OPT-EM-0D2INT	INTERNAL	OPT-3MPC	ELECTRONIC	OPT-CLR-95(BK/GR/SR/WH)	OPT-SEN-3MR-3	PROGRAMMABLE MICROWAVE (BI-LEVEL)
								WEC-8RC	REMOTE CONTROL