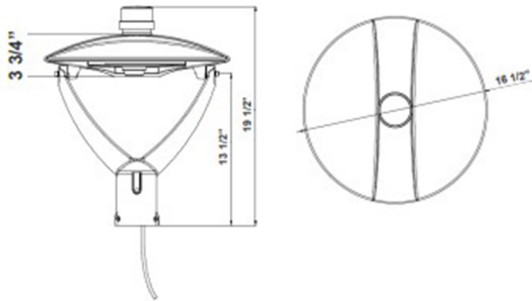


Garden Post-Top Lights



Wattage

60W / 80W / 100W

Voltage Input

100-277V AC 50/60z

Efficacy

130 LM/W

Dimming

0-10V Dimming

Finish

Die-cast Aluminum Housing with Outdoor Powder Coat Finish

Beam Angles

 Type V (150° x 150°)

Color Temperatures

 3000K  4000K  5000K

Features



Catalog No.	Fig.
GPE-30-60W-MCTP	A.
GPE-60-100W-MCTP	A.

Factory-Installed Options

Watts	EM Options	Description	Photocell	Description	Paint	Sensor	Description
GPE	OPT-EM-0D2INT	INTERNAL	OPT-3MPC	ELECTRONIC	OPT-CLR-95(BK/GR/SR/WH)	OPT-SEN-3MR-3	PROGRAMMABLE MICROWAVE (BI-LEVEL)
						WEC-8RC	REMOTE CONTROL