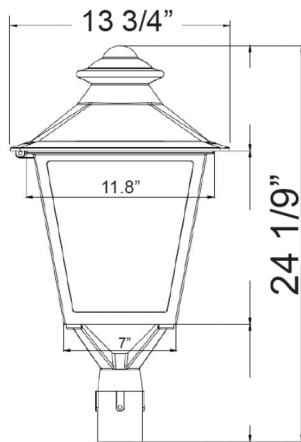


Garden Post-Top Lights



A.



24 1/9" (H) x 13 3/4" (W)

Wattage

60W / 80W / 100W Selectable

Voltage Input

120-277V AC/50-60 Hz

Efficacy

90 LPW

Dimming

0-10V Dimming

Finish

Die-cast Aluminum Housing with Powder Coat Finish

Color Temperatures



Features



Accessory



GPC-SH
GPC House-Side Glare Shield

Factory-Installed Options

Catalog No.	Fig.
GPC-60-100W-MCTP	A.

Watts	EM Options	Description	Photocell	Description	Paint	Sensor	Description
GPC	OPT-EM-OD1INT	INTERNAL	OPT-LF3-PCK	BUTTON	N/A	OPT-SEN-3MRLV-5	PROGRAMMABL MICROWAVE BI-LEVEL
	Frosted Glass	Description	PC Lens	Description		WEC-8RC	REMOTE CONTROL
	OPT-GPC-GSF	4 SIDE	OPT-LF3-PCK	FROSTED			
	OPT-GPC-GBF	BOTTOM ONLY	OPT-LF3-PCK	CLEAR			