

### WARNING

1. Read all safety precautions and installation instructions carefully before installing or servicing this fixture. Failure to comply with these instructions could result in a potentially fatal electric shock and/or property damage.
2. To reduce the risk of electrical shock or other personal injury, ensure the power is turned OFF at the fuse or breaker box before making any electrical connections.
3. For outdoor use only.
4. Must be connected to 100-277V AC 50/60 Hz power source.
5. Fixture should be mounted to a grounded junction box marked for use in wet locations.
6. Suitable for wall mount and wet locations.
7. NOT suitable for ground locations. Minimum of 4 feet or higher.
8. Light should be installed by a qualified electrician or person experienced with household wiring. The electrical system, and method of electrical connection of the fixture, must be in accordance with the National Electrical Code and local building codes.

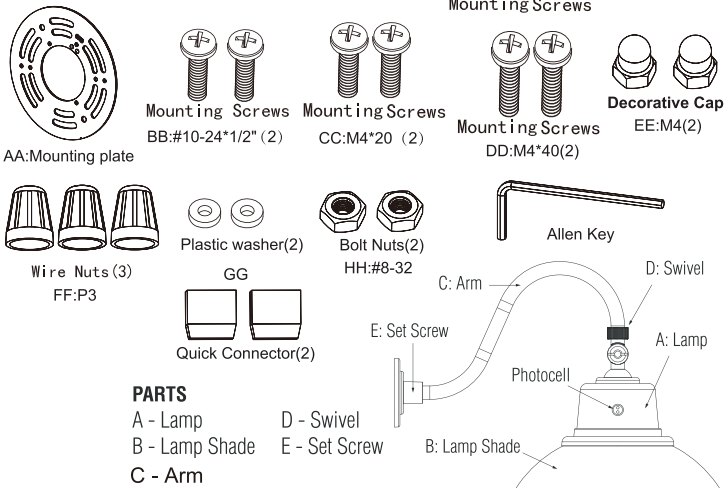
### Pre-Installation

#### Planning Installation

Carefully remove the fixture from the carton and check that all parts are included. Be careful not to misplace any of the screws or parts needed for installing the fixture.

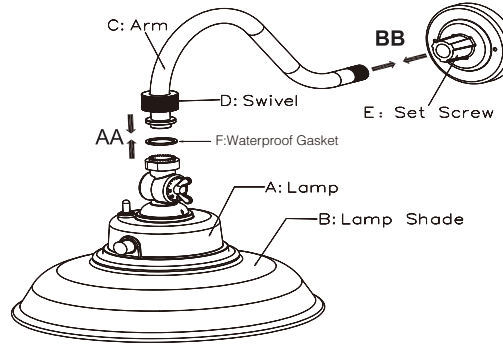
#### Hardware Included

(Note: Some parts may be pre-assembled)



### Pre-Assemble Fixture

AA: Connect Arm (C) and Lamp (A) through Swivel (D) and rotate Swivel to fasten two parts. Be careful not to misplace any of the hardware needed for installing the fixture.  
BB: Install the connection pipe thread and the base connection  
**Note:** Tighten Swivel (D) until tight. Do not over tighten.



### Installation

**Caution:** Turn OFF the circuit breaker and light switch before beginning installation.

**Important:** Do not use this fixture with timers.

This fixture is suitable for wall mount only. It is not suitable for ground mount installation. For best performance, mount the fixture 2.4-3.6 m / 8-12 ft above the ground.

Pull the electrical wires (Line, Neutral and Ground) out from the Junction Box.

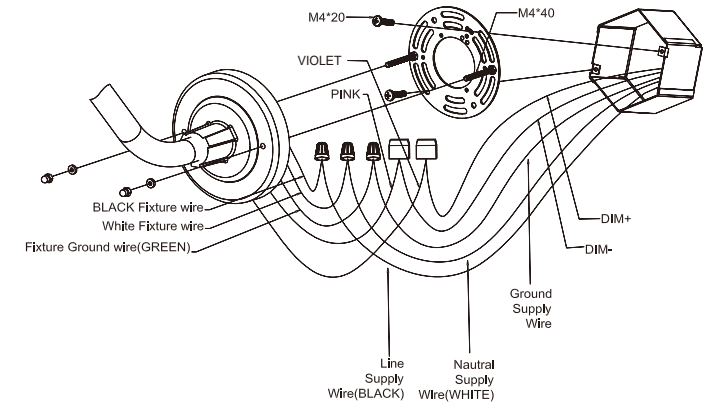
### Attach Power Supply Wire

1. Connect the fixture ground wire (GREEN) to the ground supply wire using a wire nut.
2. Connect the BLACK fixture wire to the BLACK (Line) supply wire using the wire nuts.
3. Connect the WHITE fixture wire to the WHITE (Neutral) supply wire using the wire nuts.
4. Connect the VIOLET fixture wire to the DIM+ supply wire using quick connector.
5. Connect the PINK fixture wire to the DIM- supply wire using quick connector.
6. Carefully tuck all wiring back into the Junction Box, making sure there are no un-insulated wires. (Figure 3)

**Note:** For proper connection, place the wire nuts over the wires and twist clockwise until tight.

### Continued

**Recommended:** Wrap each wire nut with electrical tape (not included).



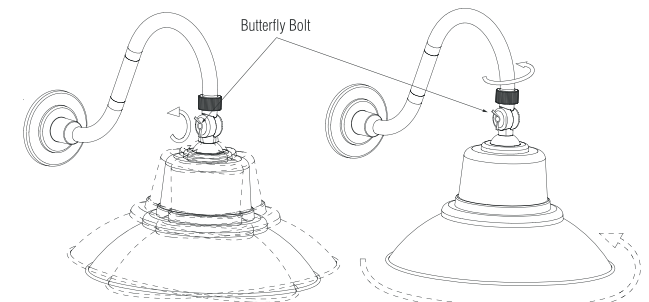
### Screw In Mounting Plate

1. Fix two screws M4\*40 on the mounting plate with the bolts nuts
2. Run two screws M4\*20 through the mounting plate and lock to the junction box
3. Connect the corresponding lines according to the diagram
4. Two screws run through the base and fix with the junction box with plastic washer and decorative caps.
5. Recommended: Apply silicon caulk around edge of mounting plate to make it fully waterproof.

### Adjust Fixture Angle

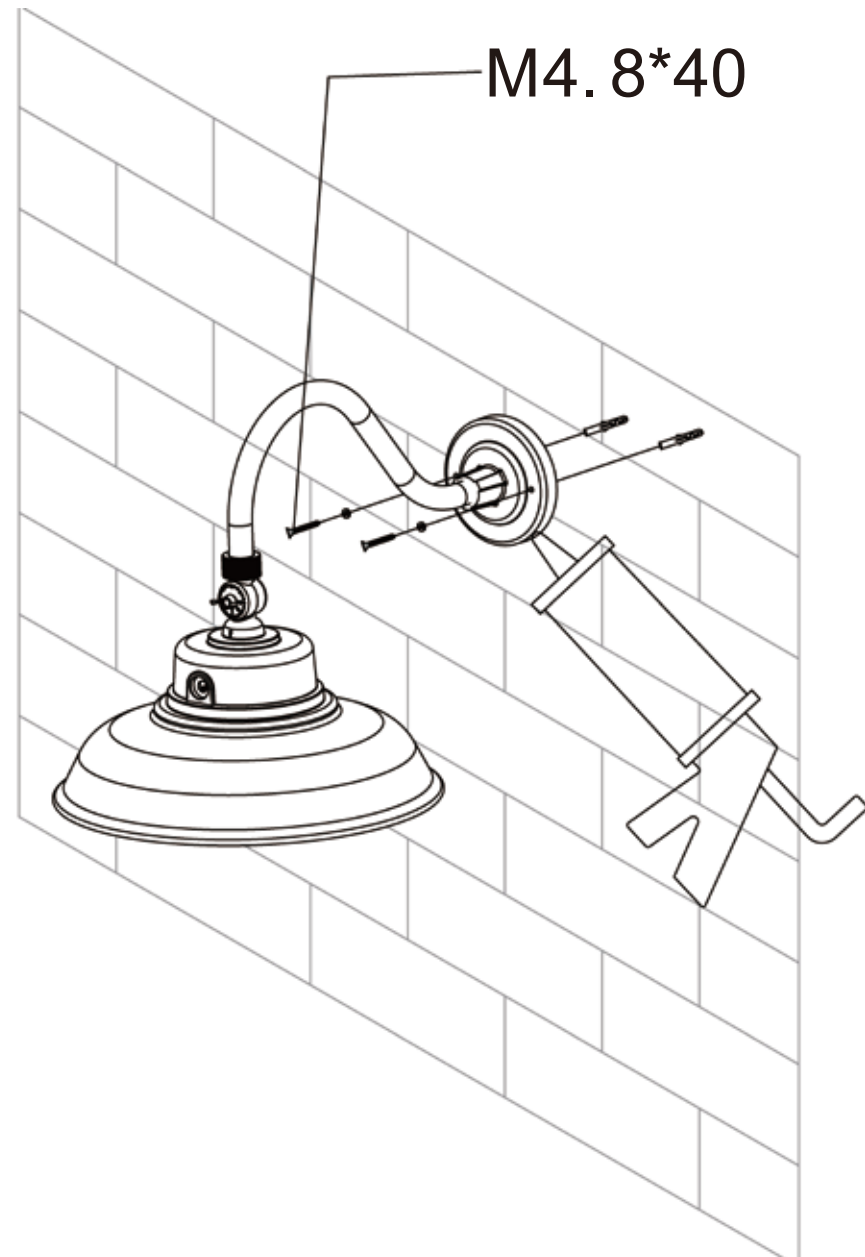
Following the arrow illustration to rotate swivel and butterfly bolt to adjust fixture angle that you want.

**Note:** Loosen Butterfly Bolt to adjust Lamp Shade and tighten when desire position is reached.



### Wall Mount Installation

1. Drill two 8mm diameter holes for expansion pipe in the wall.
2. Put the expansion pipe into the holes.
3. Two Expansion screws M4.8\*40 with plastic washer run through the base and fix the fixture on the wall.
4. Apply silicon caulk around edge of mounting plate to make it fully waterproof.



Westgate MFG Inc.

www.westgatemfg.com

2462 E. 28th STREET, VERNON, CA 90058

Tel: 877-805-2252