

G10

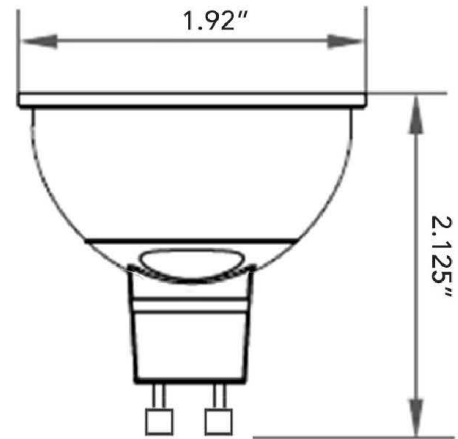


TECHNICAL SPECIFICATIONS:

- :: Input Voltage: 120V 60Hz 65mA
- :: Watts: 7.5 watts
- :: Lumens: 600LM
- :: PF: 0.9%
- :: CRI: >83
- :: Beam angle: 300°
- :: Dimmable
- :: Dimension: 1.92" diameter, 2.125" height
- :: UL listed
- :: Power Factor: 9
- :: Suitable for damp locations

FEATURES:

- :: Long life—reduced re-lamping cost
- :: Contains No Mercury
- :: Emits no UV/IR light
- :: 3-year warranty



HIGH POWER GU10

CATALOG NO.	WATTS	COLOR TEMP	LUMENS	BEAM
G10-500L-30K-D	7.5W	3000K	500LM	300°
G10-600L-50K-D	7.5W	5000K	600LM	300°

