

EL SERIES

Exit & Emergency Lighting

WESTGATE
THE FUTURE IS HERE...AND IT'S QUITE BRIGHT!

EL-WP



Selection:



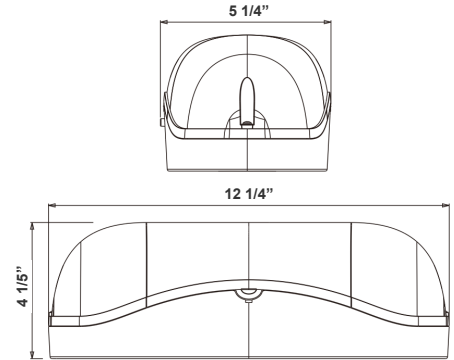
Emergency lighting is designed to provide sufficient illumination in the event of a mains power failure. Modern emergency lighting is installed in virtually every commercial and high occupancy residential building. Most building codes require that they be installed in older buildings as well.

Customer Name: _____

Project Name: _____

Note: _____

Type: _____



4 1/5" (H) x 12 1/4" (W) x 5 1/4" (D)

Features

- Innovative, Easy Installation in Minutes
- Injection-Molded Thermoplastic ABS Housing, UL 94V-0 Flame Rating.
- 3-Year Warranty
- High Impact Thermo-Plastic Emergency Light with Polycarbonate Cover Available in Wet location with Seamless Silicon Gasket

Technical Specifications

Electrical:

- Voltage: 120-277V / 50-60Hz
- Power Factor: >0.90
- Wattage: 6W Per Head
- Efficacy: 76 LPW

Mechanical:

- Mounting: Wall Mounting With KO's in Back Plate
- Universal J-box Mounting Pattern
- Maximum 24 Hours for Full Recharge Time
- Test Switch and Charge Indicator
- Operating Temperature: 5°F to 104°F
- Rated life: 90-Minute Rated
- White Finish
- IP65, Suitable for Wet Location

Lighting:

- 2X12 pcs Super Bright 2835 0.5W LED Lamp Heads for Emergency Mode, Provide More than 400LM Output
- Improved Beam Control for Increased Spacing and Illumination
- Total Lumens: 454LM
- Color Temperatures: 6151K
- Built-in 3.6V 2000mAh Nickel Cadmium Battery for Minimum 90 Minutes Emergency Operation

Applications:

- Emergency lighting is designed to provide sufficient illumination in the event of a mains power failure. Modern emergency lighting is installed in virtually every commercial and high occupancy residential building. Most building codes require that they be installed in older buildings as well.

Other Models:

- 1.1W | 245LM | EL-M1
- 3W | 650LM | EL-HO

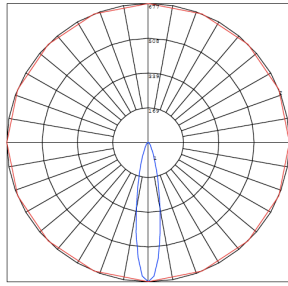
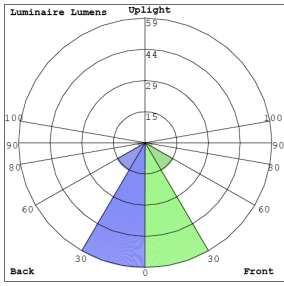


Phone: (877) 805-2252 | Fax: (877) 805-2252
www.westgatemfg.com | www.westgatecontrols.co

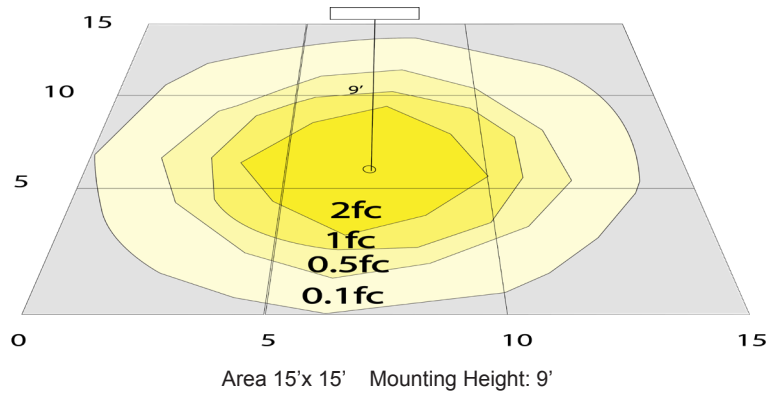


WG-Z7-26-2Z

Photometrics: EL-WP



BUG Rating: B0-U1-G0



Other Views:



Side View



Front View

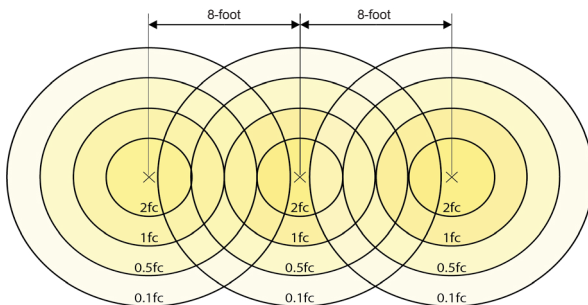


Back View

Performance Table: EL-WP

MODEL NO.	Wattage	Voltage	Lumens	Color Temp.	BUG Rating	LPW
EL-WP	6W Per Head	120/277V	454LM	6151K	B0-U1-G0	76

Maximum Required Spacing:



Mounting Height: 9'

The emergency lighting system must be arranged to provide initial illumination of at least 1 ft-candle average and a 0.1 ft-candle minimum at any point measured along the path of egress at floor level

Maximum required distance between each EL-WP emergency lights is 8 foot if they are mounted at 9 foot high.

The required spacing varies depending on the mounting height

Sample Ordering

Model

EL-WP

Other Models:



EL-M1
LED Mini Emergency Light



EL-HO
High-Output Emergency Light