

MODELS:

CXER-30-50W-MCTP-SR-WH; CXER-30-50W-MCTP-SR-EM-WH,
 CXER-40-80W-MCTP-SR-WH; CXER-40-80W-MCTP-SR-EM-WH

Model number parameter list:

Item	Model	Input Voltage	Power Factor	Watt	Input Current	G.W. (KG)
A	CXER-30-50W-MCTP-SR-WH	120-277VAC	≥0.9	50W	0.72A	2.21kg
B	CXER-30-50W-MCTP-SR-EM-WH			50W	0.72A	2.52kg
C	CXER-40-80W-MCTP-SR-WH	120-277VAC	≥0.9	80W	1.0A	2.32kg
D	CXER-40-80W-MCTP-SR-EM-WH			80W	1.0A	3.63kg

1. Introduction

- An internal power-factor-corrected switch-mode power supply allows the luminaire to be used with a nominal 100-277V, 50/60Hz AC supply without any variation in light output.
- Suitable for use damp locations in ambient temperatures from -40°C~+40°C (-40°F to +104°F)

Note: Save these instructions for future reference.

1. Installation

Warning:

To avoid the risk of fire, or electric shock, this product should be installed, inspected, and maintained by a qualified electrician only, in accordance with all applicable electrical codes.

Warning:

To avoid electric shock:

- Be certain electrical power is OFF before and during installation and maintenance.
- Luminaire must be connected to a wiring system with an equipment-grounding conductor.

Warning:

- Make sure the supply voltage is the same as the rated luminaire voltage.
- Do not operate in ambient temperatures above those indicated on the luminaire nameplate.
- Keep lens tightly closed when in operation.

CAUTION:

THIS PRODUCT MUST BE INSTALLED IN ACCORDANCE WITH THE APPLICABLE INSTALLATION CODE BY A PERSON FAMILIAR WITH THE CONSTRUCTION AND OPERATION OF THE PRODUCT AND THE HAZARDS INVOLVED

For supply connections use wire rated for at least 100°C.

2. Installation:

Ceiling mounting

- STEP 1.** Distort the bracket screws A(see Figure 1).
 2. Separate the lamp body from the bracket(see Figure 2).
 3. Install the bracket on the ceiling(see Figure 3).
 4. Place the lamp body through the groove with the bracket screw assembly and tighten the bracket screws(see Figure 3).

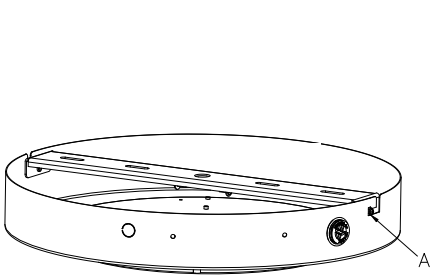


Figure 1

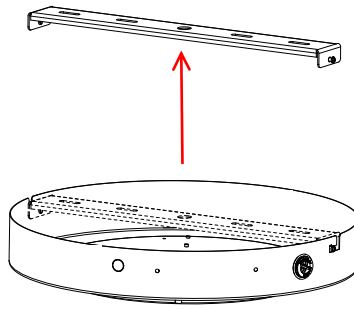


Figure 2

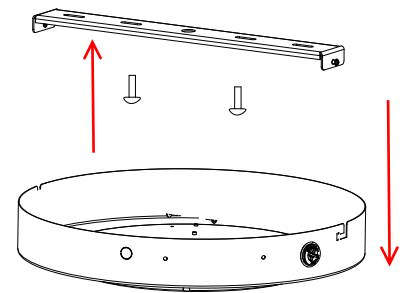
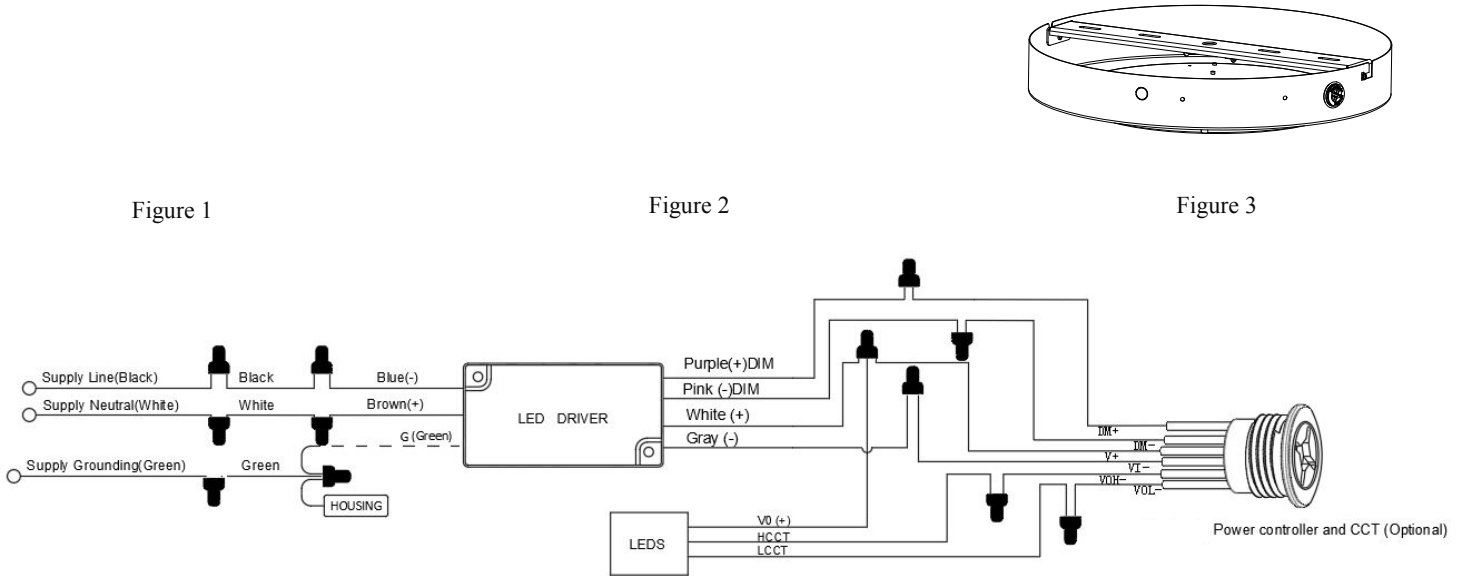


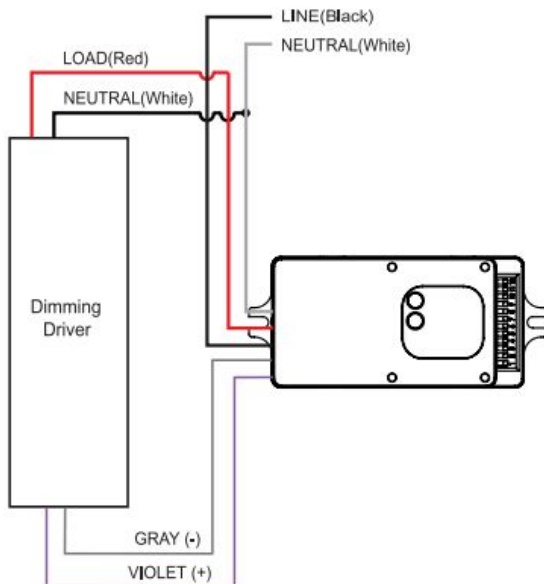
Figure 3



Wiring diagram with CCT , Power controller

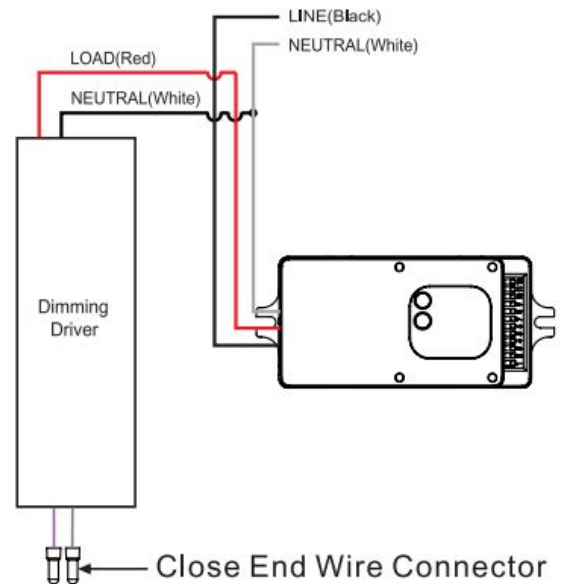
Wiring with dimming ballast or LED driver.

Dimming Driver

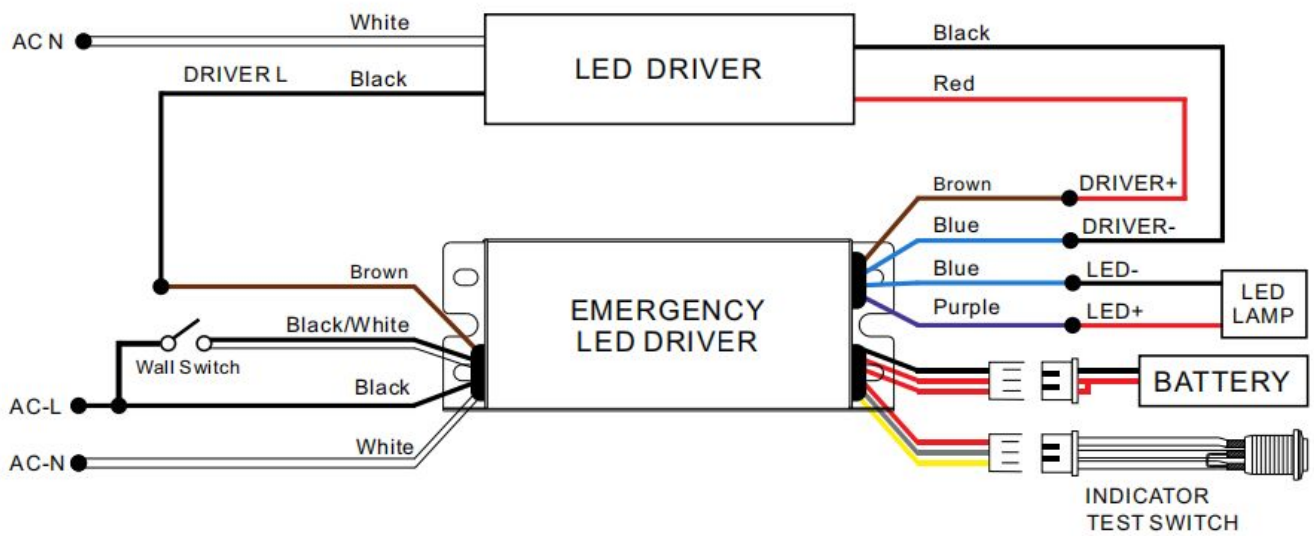


Wiring with non-dimming ballast or LED driver.

Non-Dimming Driver



Microwave sensor wiring diagram

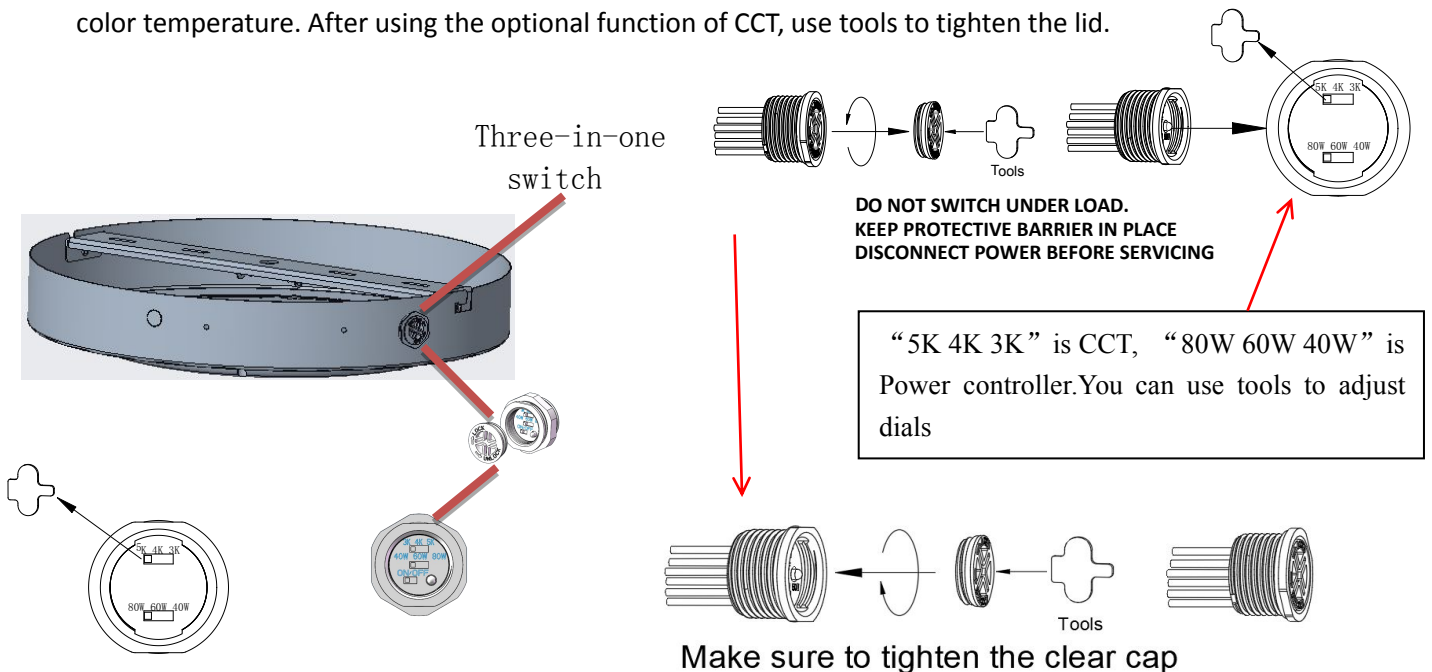


Emergency power wiring diagram

1.Function description of CCT & Wattage Tunable:

1.If the luminaire is designed to be wattage tunable. Please unscrew the knob cap before using the watt selectable function. According to the watt selectable label shown in Fig. 5,please toggle the DIP switch to select the corresponding watt. Screw the knob cap after using the watt selectable function.

2.If the lamp is designed to be tunable by CCT. Before using the CCT optional function, please remove the lid. According to the CCT optional label shown in Figure 5, please switch the DIP switch to select the corresponding color temperature. After using the optional function of CCT, use tools to tighten the lid.



Item	Model	Adjustable power			Color temperature is adjustable			Emergency driver power
A	CXER-30-50W-MCTP-SR-WH	30W	40W	50W	3000K	4000K	5000K	/
B	CXER-30-50W-MCTP-SR-EM-WH	30W	40W	50W	3000K	4000K	5000K	8W
C	CXER-40-80W-MCTP-SR-WH	40W	60W	80W	3000K	4000K	5000K	/
D	CXER-40-80W-MCTP-SR-EM-WH	40W	60W	80W	3000K	4000K	5000K	15W

After installation, please

- check whether the lighting fixture is firmly fixed.
- check whether wires are connected correctly.

At last, turn on the power, and check if the lighting fixture works well. If not, please turn off the power and contact your sales representative.

Warning: the luminaire shall be installed by qualified electrician.