

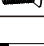


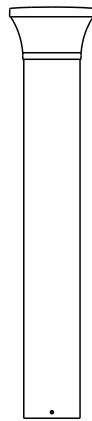


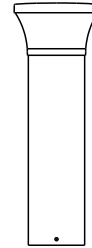
LED Bollard Light

Installation Instructions

Packing List		
	Base plate template	1PCS
	Screw fixing plate	1PCS
	Screw M5*16	6PCS
	Screw M6	3PCS
	Nut M6	3PCS

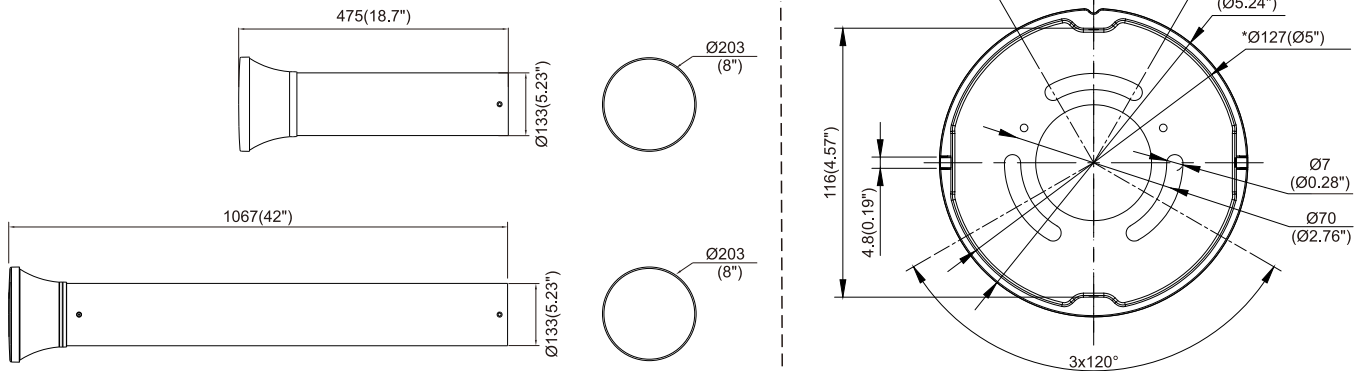


42"

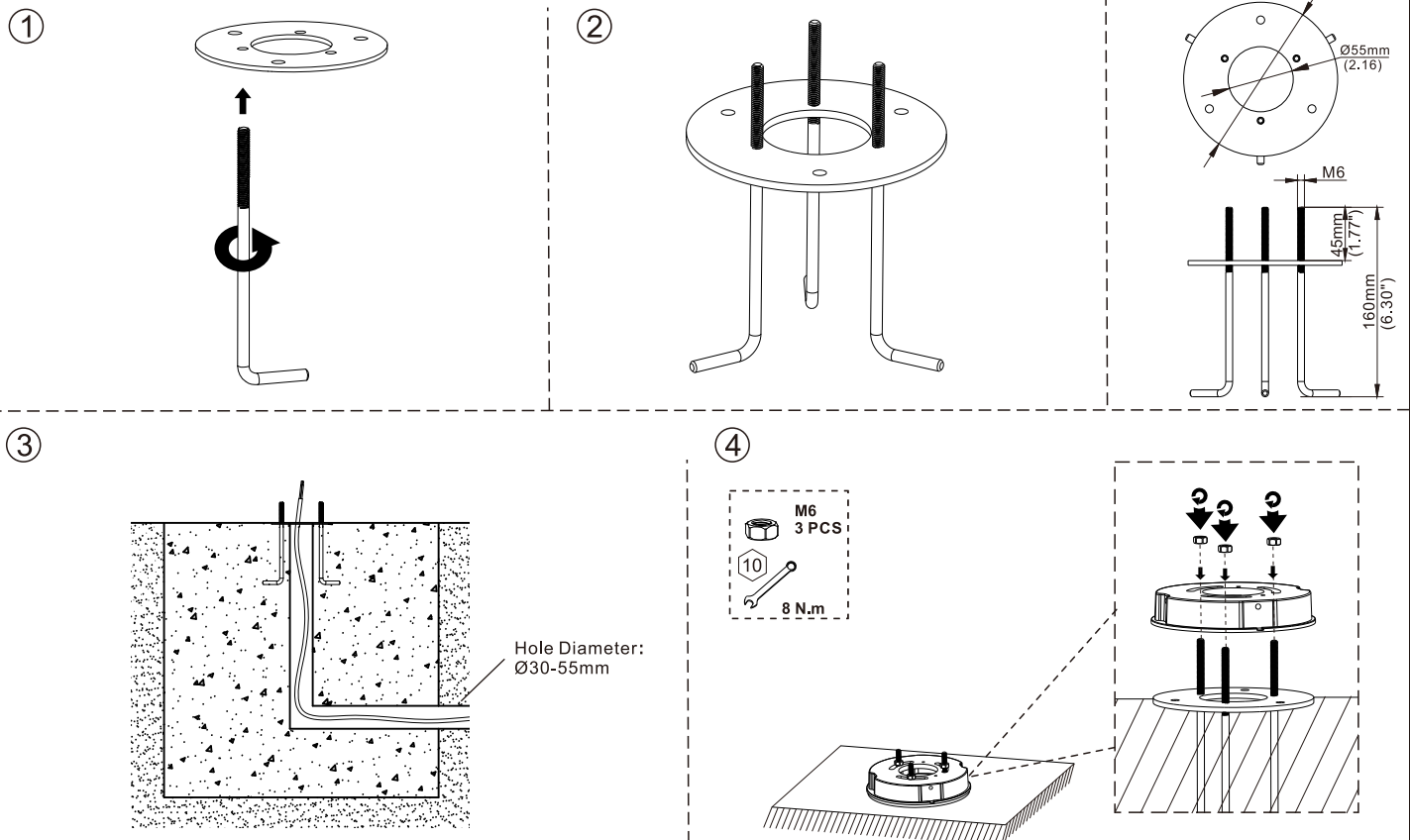


18.7"

Physical Dimensions (Unit: mm/inch)



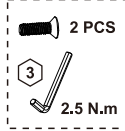
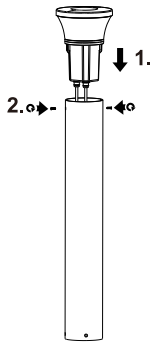
Installation



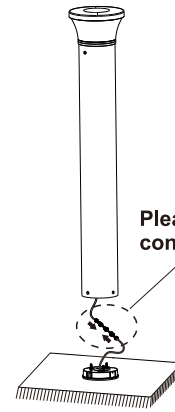
LED Bollard Light

Installation Instructions

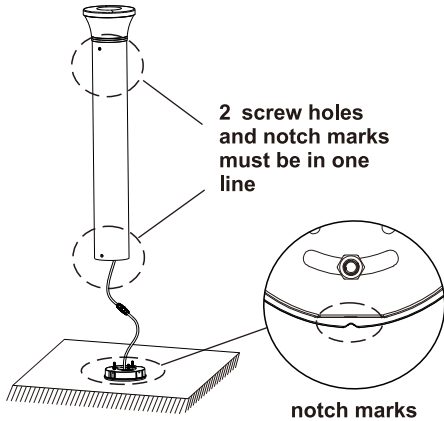
⑤



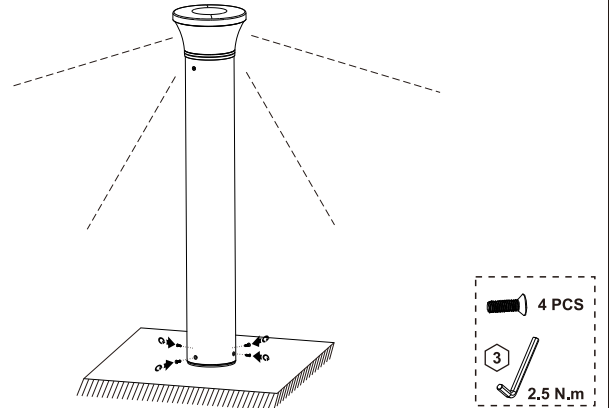
⑥



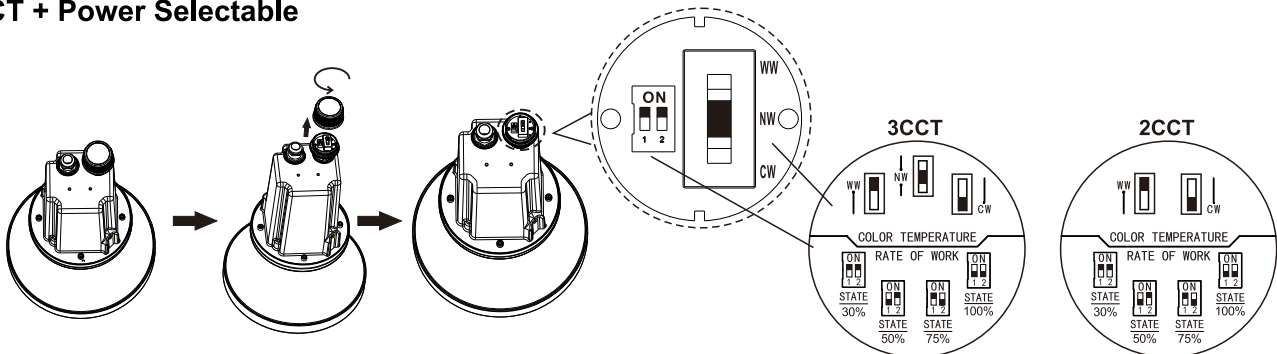
⑦



⑧



CCT + Power Selectable



Product Specifications	14W		25W	
Input Voltage	100-277 Vac / 120-277 Vac (Subject to the input voltage on nameplate)			
Power Frequency	50 / 60 Hz			
Outlook Dimensions	Ø203x475mm (Ø8"x18.70")	Ø203x1067mm (Ø8"x42")	Ø203x475mm (Ø8"x18.70")	Ø203x1067mm (Ø8"x42")
Net Weight	3.8±0.3kg (8.38±0.66Lbs)	5.6±0.3kg (12.35±0.66Lbs)	3.8±0.3kg (8.38±0.66Lbs)	5.6±0.3kg (12.35±0.66Lbs)
Working Temperature	-30°C to +45°C(-22°F to +113°F)			
Storing Temperature	-40°C to +70°C(-40°F to +158°F)			

Dimmable

⊙	DIM+/DA1	purple	or	purple	or	blue	or	brown	or	black	or	red
	DIM-/DA2	gray		pink		white		blue		gray		orange
⊙	DIM+/DA1	purple		purple		purple		purple		purple		
	DIM-/DA2	gray		pink		gray		pink		pink		
	Aux 12Vdc +	pink		black/white		black/white		red				
⊙	DIM+/DA1	purple		purple		purple		purple				
	DIM-/DA2	gray		pink		pink		pink				
	Aux 12Vdc +	pink		black/white		black/white		black/white				
	Aux 12Vdc -	black/white		blue/white		orange						
L		brown		black								
N		blue		white								
⊙ GND		yellow/green		green								
	⊙ GND	yellow/green		green								
	DIM+/DA1	black		black								
	DIM-/DA2	gray		orange								



Warning! do not wire dim cord to high voltage, or dim function will fail.

- The light source contained in this luminaire shall only be replaced by the manufacturer or his service agent or a similar qualified person.
- For type Y attachments: if the external flexible cable or cord of this luminaire is damaged, it shall be exclusively replaced by the manufacturer or his service agent or a similar qualified person in order to avoid a hazard.