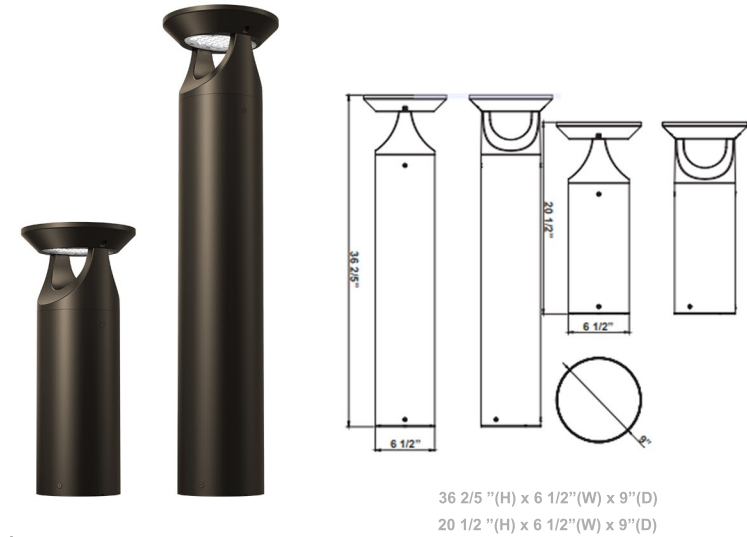


Solar G4 Modular Bollard System



Wattage

3W

Efficacy

130 LPW

Finish

Die-cast aluminum with powder coat
Bronze / Black finish

Color Temperatures

4000K

Features



Accessories



Catalog No.	Fig.
BOL-G4-301-SOLAR-40K-BR	A.
BOL-G4-301-SOLAR-40K-BK	B.