



US00D644065S

(12) **United States Design Patent**  
**Llerena**

(10) **Patent No.:** **US D644,065 S**

(45) **Date of Patent:** **\*\* Aug. 30, 2011**

(54) **BOTTLE**

(76) **Inventor:** Sergio Llerena, Toronto (CA)

(\*\*) **Term:** 14 Years

(21) **Appl. No.:** 29/375,884

(22) **Filed:** Sep. 29, 2010

(51) **LOC (9) Cl.** ..... 07-01

(52) **U.S. Cl.** ..... D7/510; D7/511; D7/300.1

(58) **Field of Classification Search** ..... D7/510,  
D7/511, 509.523, 534, 531, 300.1, 900; 220/705,  
220/710; 215/388, 11.1, 11.6, 384; D24/197;  
222/129; D10/46.2

See application file for complete search history.

D513,916 S *	1/2006	Namee .....	D7/300.1
D552,929 S *	10/2007	de Groot .....	D7/510
D565,353 S *	4/2008	Roth et al. ....	D7/510
D580,227 S *	11/2008	Roth et al. ....	D7/510
D597,365 S *	8/2009	Oas .....	D7/300.1
D632,133 S *	2/2011	Giraud et al. ....	D7/510
D632,918 S *	2/2011	Gordon .....	D7/300.1
D634,160 S *	3/2011	Cetera .....	D7/510
D634,161 S *	3/2011	Roth et al. ....	D7/510

\* cited by examiner

*Primary Examiner* — Marianne Pandozzi

(74) *Attorney, Agent, or Firm* — Levisohn Berger LLP

(57) **CLAIM**

The ornamental design for a bottle, as shown and described.

(56) **References Cited**

U.S. PATENT DOCUMENTS

3,820,692 A *	6/1974	Swett et al. ....	222/547
D233,116 S *	10/1974	Swett .....	D7/300.1
D251,612 S *	4/1979	Lagergren et al. ....	D24/197
D314,431 S *	2/1991	Bielefeldt .....	D24/197
D330,862 S *	11/1992	Shibley et al. ....	D10/46.2
D382,968 S *	8/1997	Giles et al. ....	D24/197
D421,547 S *	3/2000	Demers .....	D7/510
D438,298 S *	2/2001	McNutt .....	D23/367
D490,272 S *	5/2004	Rohe .....	D7/510
D510,235 S *	10/2005	Sorensen .....	D7/510

**DESCRIPTION**

FIG. 1 is a front perspective view of the bottle showing the present design.

FIG. 2 is a front view thereof.

FIG. 3 is a rear view thereof.

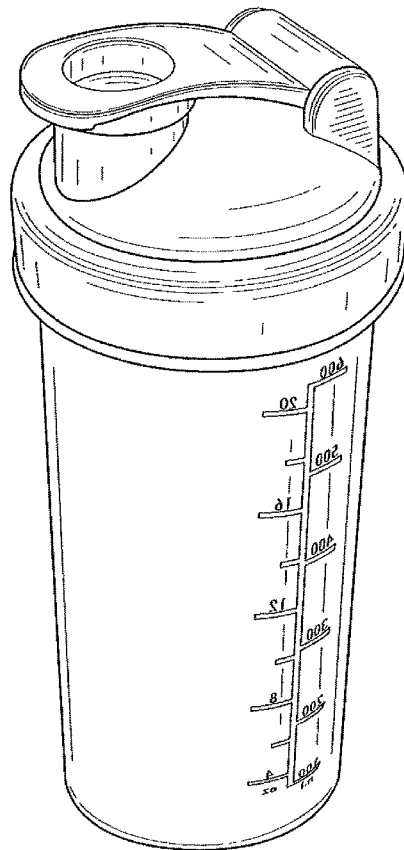
FIG. 4 is a right side view thereof

FIG. 5 is a left side view thereof.

FIG. 6 is a top plan view thereof; and,

FIG. 7 is a bottom plan view thereof.

**1 Claim, 6 Drawing Sheets**



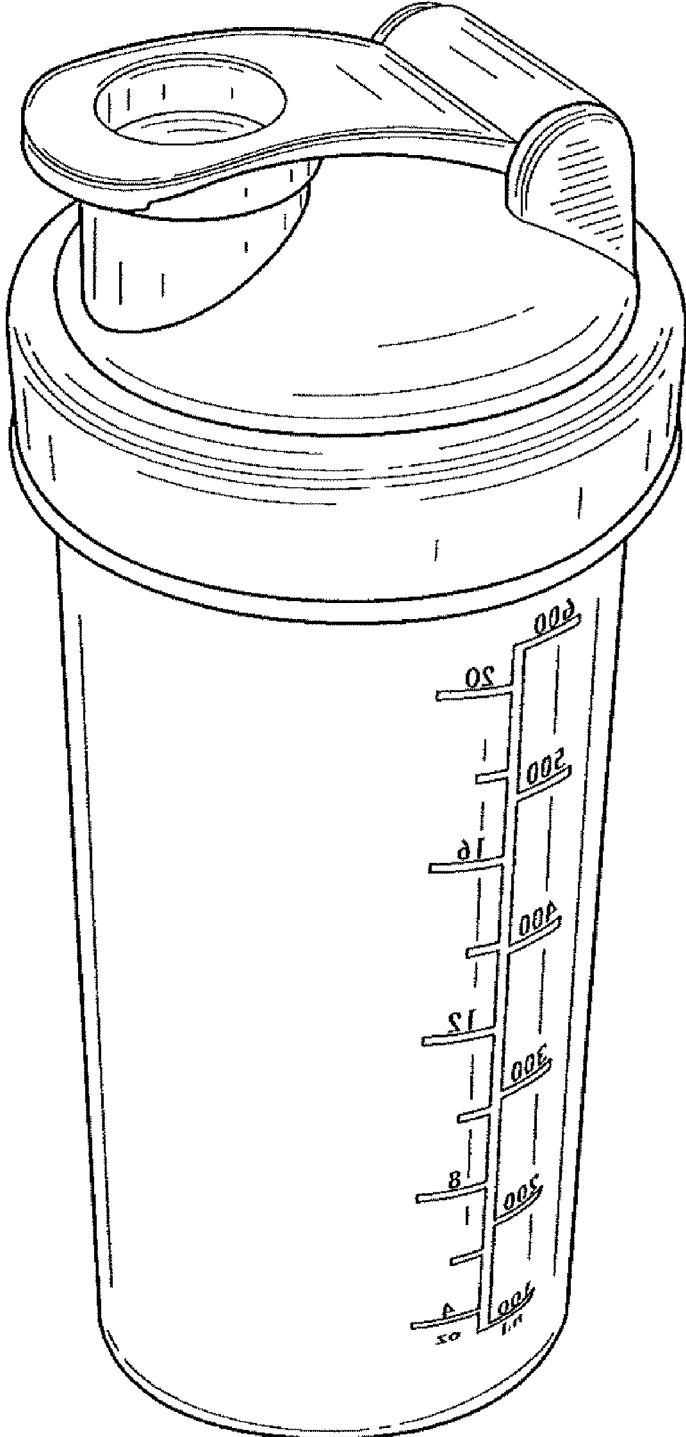


FIG. 1

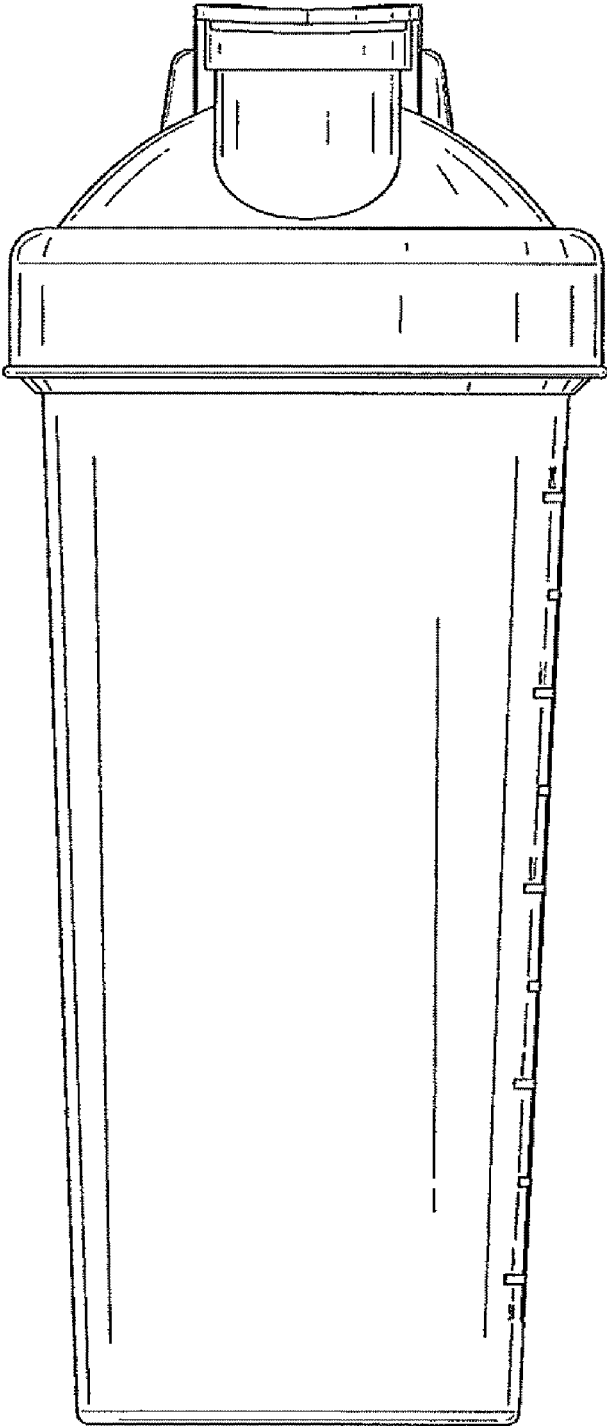


FIG. 2

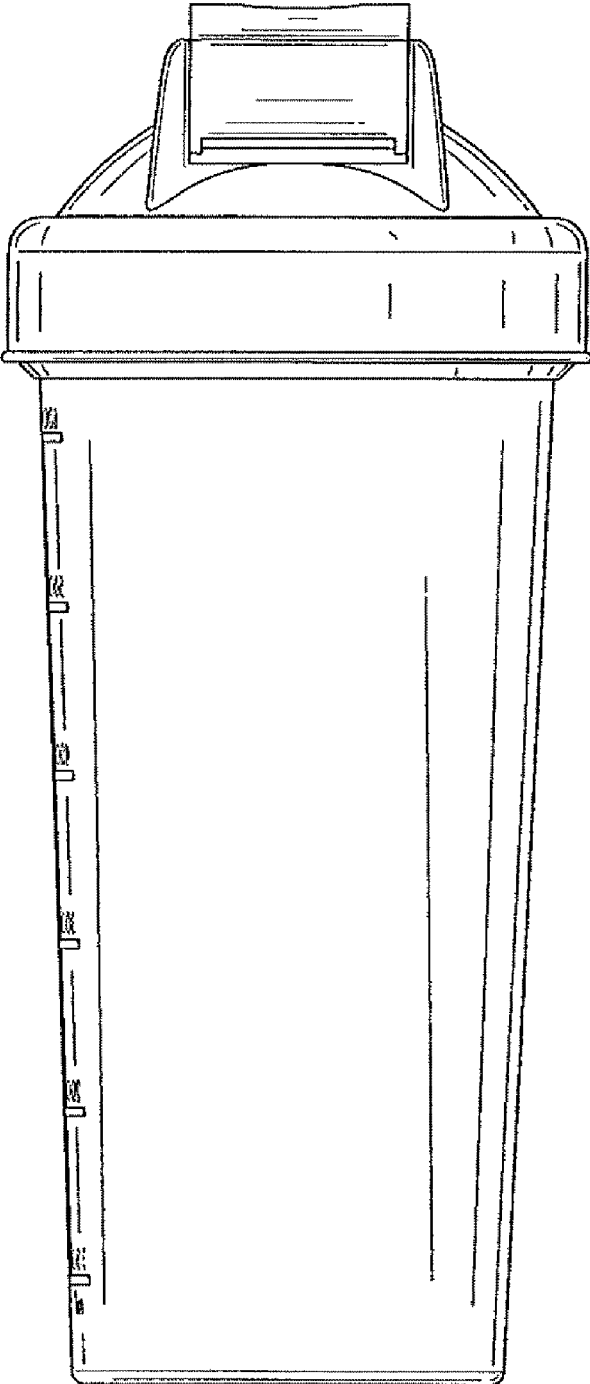


FIG. 3

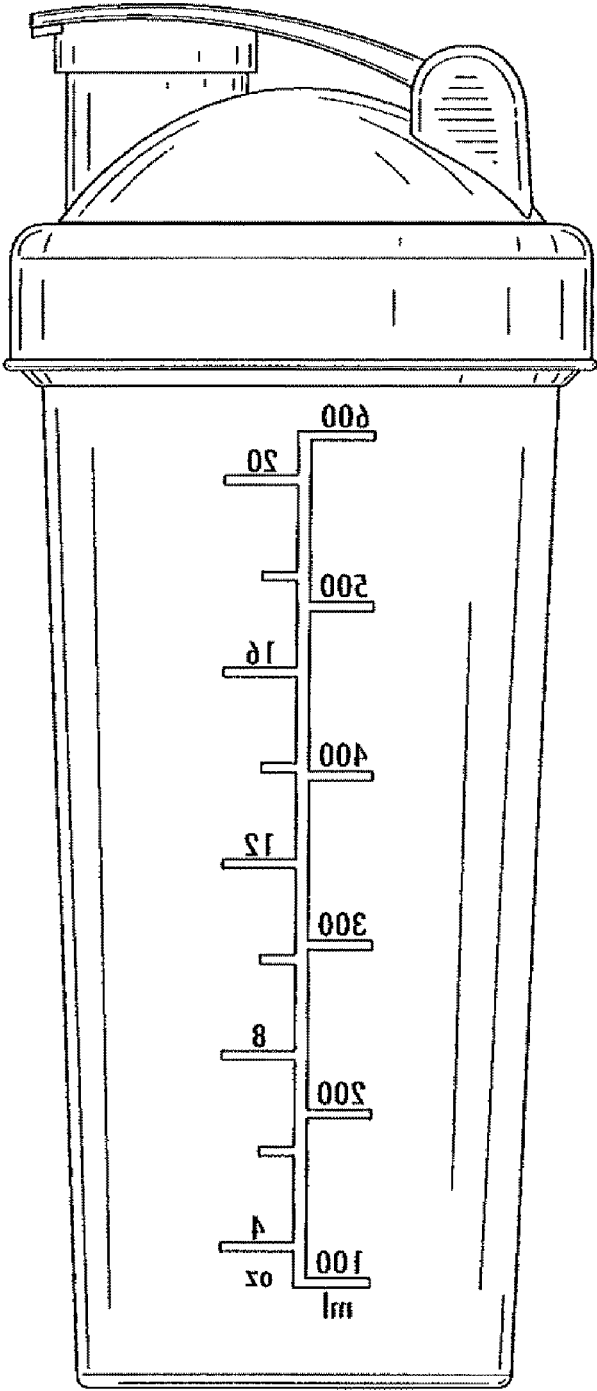


FIG. 4

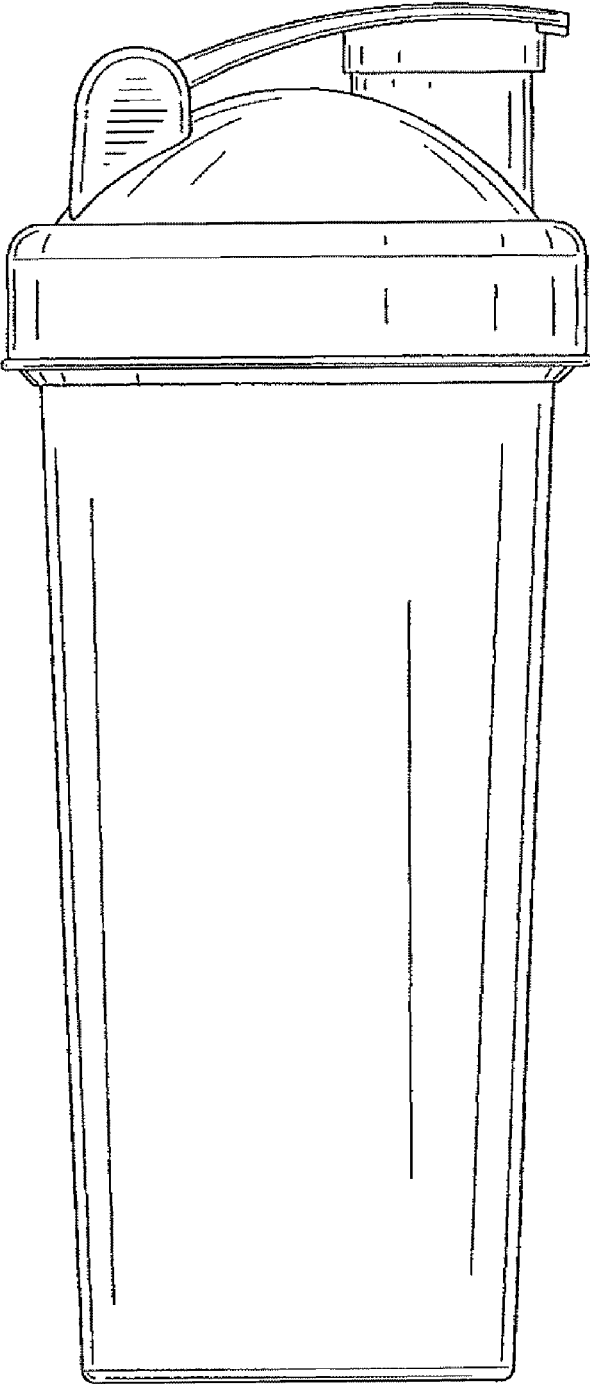


FIG. 5

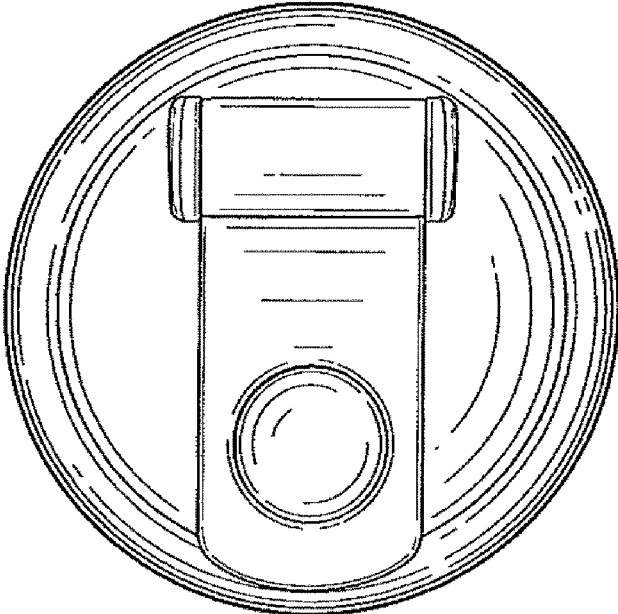


FIG. 6

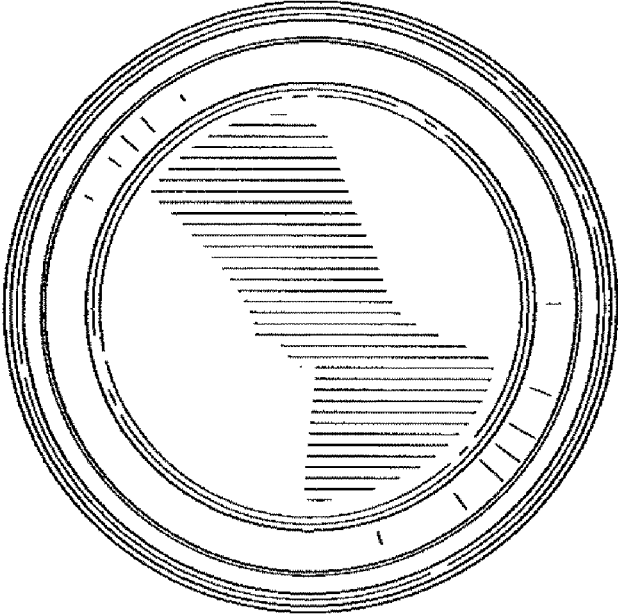


FIG. 7