



US00D727097S

(12) **United States Design Patent**
Sorensen et al.

(10) **Patent No.:** **US D727,097 S**

(45) **Date of Patent:** **** Apr. 21, 2015**

(54) **CONTAINER SYSTEM**

(71) Applicant: **Runway Blue, LLC**, Pleasant Grove, UT (US)

(72) Inventors: **Steven M. Sorensen**, Alpine, UT (US);
David O. Meyers, Kaysville, UT (US);
Kim L. Sorensen, Alpine, UT (US)

(73) Assignee: **Runway Blue, LLC**, Lehi, UT (US)

(**) Term: **14 Years**

(21) Appl. No.: **29/465,995**

(22) Filed: **Sep. 3, 2013**

(51) **LOC (10) Cl.** **07-01**

(52) **U.S. Cl.**
USPC **D7/505**

(58) **Field of Classification Search**
USPC D7/300, 300.1, 302, 305, 314, 376, 505,
D7/507, 509, 523, 543, 545, 546, 549, 560,
D7/589, 601, 602, 608, 612-615, 619.1,
D7/629, 632; D9/428, 429-432, 436, 447,
D9/500, 502, 516, 530, 533, 536, 537, 539,
D9/542, 543, 547, 553, 571, 574; D10/46,
D10/46.2, 46.3; D11/152; D24/197, 224;
206/459.1, 519, 520; 215/240,
215/381-385; 220/23.88, 660, 662, 669,
220/780-806

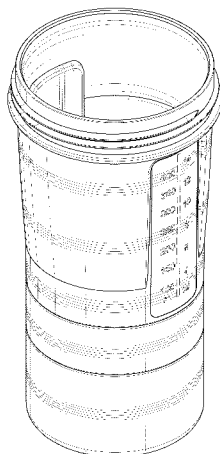
See application file for complete search history.

(56) **References Cited**

U.S. PATENT DOCUMENTS

1,094,469 A 4/1914 Pick
1,389,732 A 9/1921 Baron
1,479,053 A 1/1924 Brooks
1,573,620 A 2/1926 Allston
2,056,879 A 10/1936 Winterhalter et al.
2,272,867 A 2/1942 Cobel
2,514,573 A 7/1950 Harrison
2,573,378 A 10/1951 Zurlinden
2,574,876 A 11/1951 Lebus
2,575,299 A 11/1951 Scheel
2,638,253 A 5/1953 Mueller

2,748,997 A 6/1956 Richmond, Sr.
2,752,971 A 7/1956 Tupper
2,754,866 A 7/1956 Coltman
3,022,925 A 2/1962 Daniell
3,091,361 A 5/1963 Gawron
3,143,205 A 8/1964 Ruderian
3,144,016 A 8/1964 Basci
3,168,226 A 2/1965 Underwood
3,369,691 A 2/1968 Wei
3,552,548 A 1/1971 Wallestad et al.
3,770,160 A 11/1973 Flider
3,820,692 A 6/1974 Swett et al.
D233,116 S 10/1974 Swett et al.
4,022,352 A 5/1977 Pehr
4,136,799 A 1/1979 Albert
4,158,902 A 6/1979 Chernack et al.
D261,088 S 10/1981 Akimov et al.
4,399,926 A 8/1983 Eidels-Dubovoy
D273,167 S * 3/1984 Carlson D7/612
4,457,458 A 7/1984 Heinol
4,474,303 A 10/1984 Maccise
4,519,518 A 5/1985 Wiles et al.
D280,281 S * 8/1985 Conti et al. D7/602
4,537,044 A 8/1985 Putnam
D282,896 S * 3/1986 Conti et al. D7/629
D282,897 S * 3/1986 Conti et al. D7/602
4,735,333 A 4/1988 Lay et al.
4,776,501 A 10/1988 Ostrowsky
4,805,790 A 2/1989 Leonetti et al.
4,932,225 A 6/1990 Bighouse
5,065,877 A 11/1991 Karppinen et al.
5,065,911 A 11/1991 Rohr et al.
5,088,614 A 2/1992 Dumestre
D330,862 S 11/1992 Shibley et al.
5,228,584 A 7/1993 Williams, Jr.
D342,898 S 1/1994 Cane
5,289,930 A 3/1994 Inouye
D350,460 S 9/1994 Picozza et al.
D354,198 S * 1/1995 Chiang et al. D7/510
5,386,922 A 2/1995 Jordan
D356,499 S 3/1995 Cautereels et al.
5,547,111 A 8/1996 Geiger et al.
5,609,277 A 3/1997 McDonald
D382,968 S 8/1997 Giles et al.
D399,099 S * 10/1998 Cousins D7/615
D404,305 S 1/1999 De Baschmakoff
D405,654 S 2/1999 Moran
D406,349 S * 3/1999 Hammond D24/197
5,896,990 A 4/1999 Barzana
D421,547 S 3/2000 Demers
D433,337 S 11/2000 Cautereels
6,161,713 A 12/2000 Krich
6,283,333 B1 9/2001 Knickerbocker et al.



6,299,005 B1	10/2001	Higgins		2008/0099514 A1	5/2008	Carter et al.
6,379,032 B1	4/2002	Sorensen		2009/0178940 A1	7/2009	Said
D458,081 S	6/2002	Bodum		2009/0188884 A1	7/2009	Nelson et al.
D461,420 S	8/2002	Kerman		2009/0188933 A1	7/2009	Daams
D471,064 S *	3/2003	Renz	D7/523	2009/0301990 A1	12/2009	Cresswell et al.
D497,431 S	10/2004	Bentley		2010/0200438 A1	8/2010	Davies
6,832,412 B2	12/2004	Kim		2010/0206835 A1	8/2010	Yu
6,860,397 B1	3/2005	Walters, Jr.		2010/0224631 A1	9/2010	Roth et al.
D504,273 S	4/2005	Ancona		2010/0282703 A1	11/2010	Yang
D508,185 S	8/2005	Gauss		2011/0017753 A1*	1/2011	Lewis et al. 220/669
D508,187 S *	8/2005	Dais et al.	D7/602	2011/0017760 A1	1/2011	Newman
D510,235 S	10/2005	Sorensen		2011/0253733 A1	10/2011	Meyers et al.
D518,336 S	4/2006	Hirani		2013/0062304 A1*	3/2013	Meyers et al. 215/240
7,073,678 B1	7/2006	Dibdin et al.				
D526,827 S	8/2006	Allen et al.				
D528,862 S	9/2006	Li				
D529,339 S	10/2006	Carreno et al.				
D532,312 S	11/2006	Conway et al.				
D532,650 S	11/2006	de Groot				
D543,454 S	5/2007	Leoncavallo et al.				
D546,131 S	7/2007	Morales				
D547,607 S	7/2007	Forsman				
D565,353 S	4/2008	Roth et al.				
D574,190 S	8/2008	Homma				
D580,227 S	11/2008	Roth et al.				
D584,569 S *	1/2009	Buchman et al.	D7/602			
D584,925 S	1/2009	Buchman et al.				
D586,184 S	2/2009	Miller et al.				
D587,069 S	2/2009	Bodum				
D589,751 S	4/2009	Liu et al.				
D592,913 S	5/2009	Pinelli et al.				
7,533,783 B2	5/2009	Choi et al.				
D593,811 S	6/2009	Carreno				
D599,664 S	9/2009	Fujinami et al.				
D602,369 S	10/2009	Potts et al.				
D604,103 S	11/2009	Alviar et al.				
D609,970 S	2/2010	Richau et al.				
D613,110 S	4/2010	Lane et al.				
D622,089 S	8/2010	Daniel et al.				
D622,554 S	8/2010	Carreno				
7,806,284 B2	10/2010	Mangano				
D626,837 S	11/2010	Meyers et al.				
D626,838 S	11/2010	Meyers et al.				
D628,483 S	12/2010	McKinney et al.				
D629,657 S	12/2010	Carreno				
7,870,980 B2	1/2011	Wilson et al.				
D641,594 S	7/2011	Huang				
D644,065 S	8/2011	Llerena				
8,020,257 B2	9/2011	Merten et al.				
D646,546 S	10/2011	Robinson et al.				
D646,919 S	10/2011	Nilsson				
D647,760 S	11/2011	Pearson				
D652,256 S	1/2012	Eyal				
D655,131 S	3/2012	Nilsson				
D655,967 S	3/2012	Bodum				
D656,357 S	3/2012	Enghard				
D661,551 S	6/2012	Gilbert				
D666,047 S	8/2012	Lin				
D666,061 S	8/2012	Ying				
D667,694 S	9/2012	Meyers et al.				
8,302,796 B1	11/2012	Johnson				
D672,618 S	12/2012	Stamper et al.				
8,342,349 B2	1/2013	Lu				
D677,121 S	3/2013	Meyers et al.				
D682,701 S	5/2013	Stephan et al.				
D686,885 S	7/2013	Meyers et al.				
D686,886 S	7/2013	Meyers et al.				
D686,887 S	7/2013	Meyers et al.				
D686,888 S	7/2013	Meyers et al.				
D697,798 S	1/2014	Sorensen et al.				
2002/0074334 A1	6/2002	Karp				
2002/0130126 A1	9/2002	Rosenberg				
2003/0085228 A1	5/2003	Oakes				
2004/0217139 A1	11/2004	Roth et al.				
2004/0262306 A1	12/2004	Smith				
2005/0045634 A1	3/2005	Ward et al.				
2005/0045636 A1	3/2005	Lown et al.				
2007/0012693 A1	1/2007	Kummer				
2007/0175931 A1	8/2007	Leoncavallo et al.				

FOREIGN PATENT DOCUMENTS

CN	201139196	10/2008
JP	2006103793 A	4/2004
JP	2008247404	10/2008

OTHER PUBLICATIONS

<http://web.archive.org/web/20121114234834/http://www.smartshake.com/about-us> Available Nov. 14, 2012.*

<https://www.youtube.com/watch?v=IKUC7KZ74Dg#t=10> Available Apr. 26, 2011.*

<https://www.youtube.com/watch?v=gDjNOp3TBNw> Available Mar. 28, 2012.*

<http://web.archive.org/web/20130803102407/http://active8canada.com/products/Spider-Bottle-2Go-%28700ml%29.html> Available Aug. 3, 2013.*

Boelter Brands Protein Shaker Bottle, image extracted from http://www.boelterbrandsproducts.com/2013SportsCatalog_Hydration.pdf on Oct. 7, 2013.

SmartShake Jay Cutler Gold Edition Protein Shaker Bottle, image extracted from <http://www.smartshake.com/products/signature-series/jay-cutler-gold-edition/> on Oct. 7, 2013.

Response to Office Action mailed on Mar. 29, 2013 from U.S. Appl. No. 13/633,864, filed Sep. 30, 2013.

U.S. Appl. No. 12/762,292, filed Apr. 16, 2010, Meyers, et al.

U.S. Appl. No. 13/232,891, filed Sep. 14, 2011, Meyers, et al.

U.S. Appl. No. 13/232,935, filed Sep. 14, 2011, Meyers, et al.

U.S. Appl. No. 29/430,882, filed Aug. 30, 2012, Meyers, et al.

U.S. Appl. No. 29/431,544, filed Sep. 7, 2012, Meyers, et al.

U.S. Appl. No. 13/609,238, filed Sep. 10, 2012, Meyers, et al.

U.S. Appl. No. 13/610,445, filed Sep. 11, 2012, Meyers, et al.

U.S. Appl. No. 13/633,864, filed Oct. 2, 2012, Meyers, et al.

U.S. Appl. No. 29/457,097, filed Jun. 6, 2013, Sorensen, et al.

U.S. Appl. No. 29/457,096, filed Jun. 6, 2013, Sorensen, et al.

U.S. Appl. No. 61/832,085, filed Jun. 6, 2013, Sorensen, et al.

U.S. Appl. No. 61/873,334, filed Sep. 3, 2013, Sorensen, et al.

U.S. Appl. No. 29/465,996, filed Sep. 3, 2013, Sorensen, et al.

U.S. Appl. No. 29/465,998, filed Sep. 3, 2013, Sorensen, et al.

Kor One, <http://www.korwater.com/buyONE>, accessed Apr. 21, 2010.

Core 77, <http://www.core77.com/blog/materials/kor.sub.—one.sub.—water.sub.—vessel.sub.—actual.sub.—size.sub.—10211.asp>, accessed Apr. 21, 2010.

Koyono, <http://www.koyono.com/KOR-ONE-Green-Zen-Water-Hydration-Vessel.sub.—p/kor-one.htm>, accessed Apr. 21, 2010.

Fit Sugar, www.fitsugar.com/2496788, accessed Apr. 21, 2010.

Thermos, <http://www.shophermos.com/detail/TMS+HP4000GR6>, accessed Apr. 21, 2010.

Goodlifter, <http://www.goodlifter.com/2009/02/360-paper-water-bottle/>, accessed Apr. 21, 2010.

Notice of Allowance from U.S. Appl. No. 29/430,882 dated Aug. 5, 2013.

Advisory Action from U.S. Appl. No. 12/762,292 dated May 24, 2013.

Office Action from U.S. Appl. No. 12/762,292 dated Jul. 1, 2013.

Office Action from U.S. Appl. No. 12/762,292 dated Oct. 2, 2012.

Office Action from U.S. Appl. No. 12/762,292 dated Jul. 17, 2012.

Office Action from U.S. Appl. No. 12/762,292 dated Feb. 10, 2012.

Notice of Allowance from U.S. Appl. No. 29/431,544 dated Aug. 14, 2013.

Office Action from U.S. Appl. No. 29/431,544 dated Mar. 25, 2013.

Office Action from U.S. Appl. No. 13/610,445 dated Mar. 29, 2013.

Office Action from U.S. Appl. No. 13/633,864 dated Mar. 29, 2013.

Office Action from U.S. Appl. No. 13/232,891 dated Jul. 19, 2013.

Office Action from U.S. Appl. No. 13/609,238 dated May 30, 2013.

International Search Report from PCT Application No. PCT/US2011/026508 dated Sep. 29, 2011.

Written Opinion from PCT Application No. PCT/US2011/026508 dated Sep. 29, 2011.

International Preliminary Report on Patentability from PCT Application No. PCT/US2011/026508 dated Oct. 16, 2012.

International Search Report from PCT Application No. PCT/US2012/054483 dated Nov. 16, 2012.

International Search Report and Written Opinion from PCT Application No. PCT/US2012/054497 dated Nov. 20, 2012.

International Search Report and Written Opinion from PCT Application No. PCT/US2013/052132 dated Aug. 16, 2013.

* cited by examiner

Primary Examiner — Susan Bennett Hattan

Assistant Examiner — Leanne Was

(74) *Attorney, Agent, or Firm* — Maschoff Brennan

(57)

CLAIM

The ornamental design for a container system, as shown and described.

DESCRIPTION

FIG. 1 is an upper perspective view of an embodiment of a container system, illustrating a container system with three exemplary containers;

FIG. 2 is a lower perspective view of the container system shown in FIG. 1;

FIG. 3 is a front view of the container system shown in FIG. 1;

FIG. 4 is a rear view of the container system shown in FIGS. 1;

FIG. 5 is a left side view of the container system shown in FIG. 1;

FIG. 6 is a right side view of the container system shown in FIG. 1;

FIG. 7 is a top view of the container system shown in FIG. 1;

FIG. 8 is a bottom view of the container system shown in FIG. 1;

FIG. 9 is an exploded, upper perspective view of the container system shown in FIG. 1;

FIG. 10 is an exploded, lower perspective view of the container system shown in FIG. 1;

FIG. 11 is an upper perspective view of another embodiment of a container system, illustrating a container system with three exemplary containers;

FIG. 12 is a lower perspective view of the container system shown in FIG. 11;

FIG. 13 is a front view of the container system shown in FIG. 11; FIG. 14 is a rear view of the container system shown in FIG. 11;

FIG. 15 is a left side view of the container system shown in FIG. 11;

FIG. 16 is a right side view of the container system shown in FIG. 11;

FIG. 17 is a top view of the container system shown in FIG. 11;

FIG. 18 is a bottom view of the container system shown in FIG. 11;

FIG. 19 is an exploded, upper perspective view of the container system shown in FIG. 11; and,

FIG. 20 is an exploded, lower perspective view of the container system shown in FIG. 11.

The broken lines shown in the figures depict unclaimed portions of the container system only and form no part of the claimed design.

1 Claim, 18 Drawing Sheets

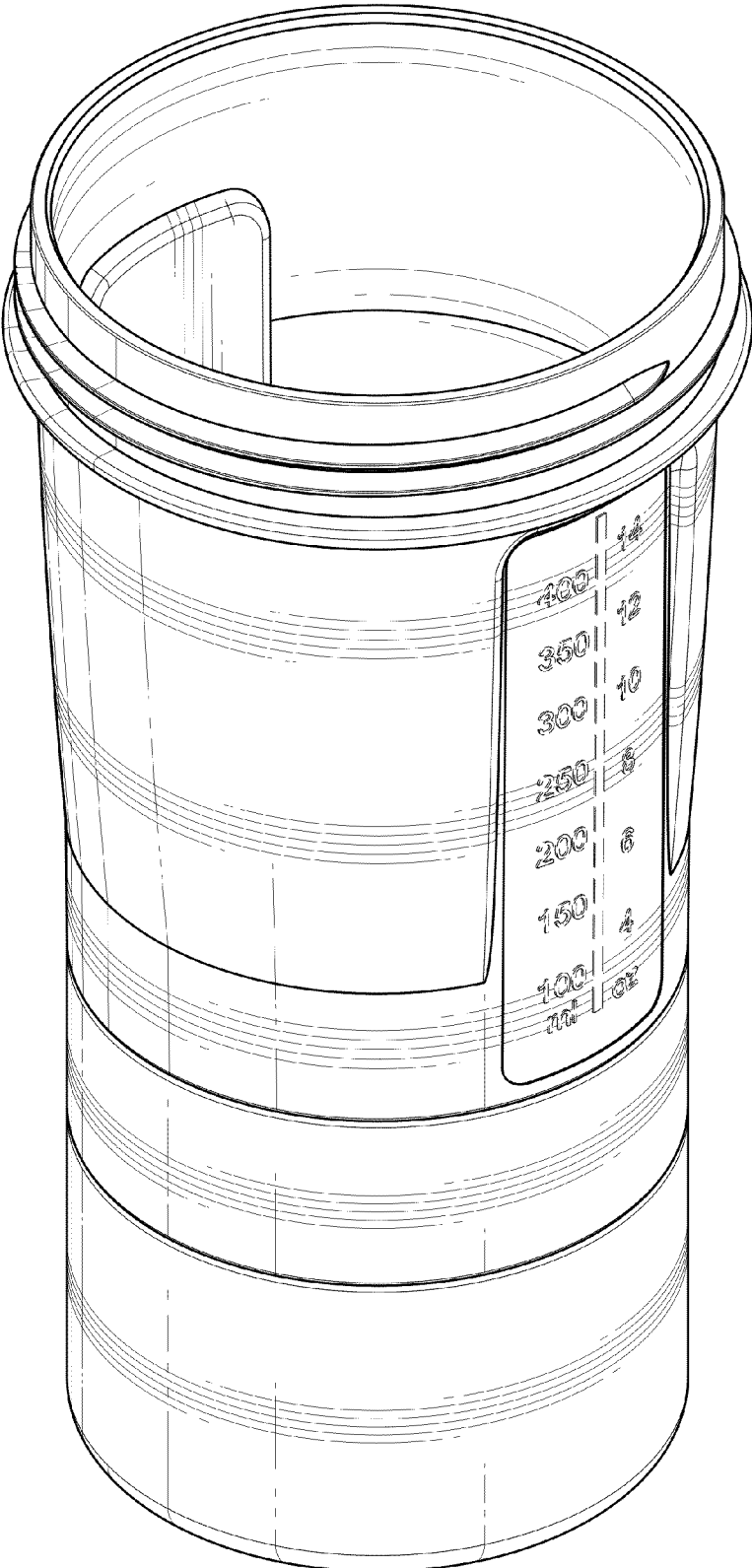


Fig. 1

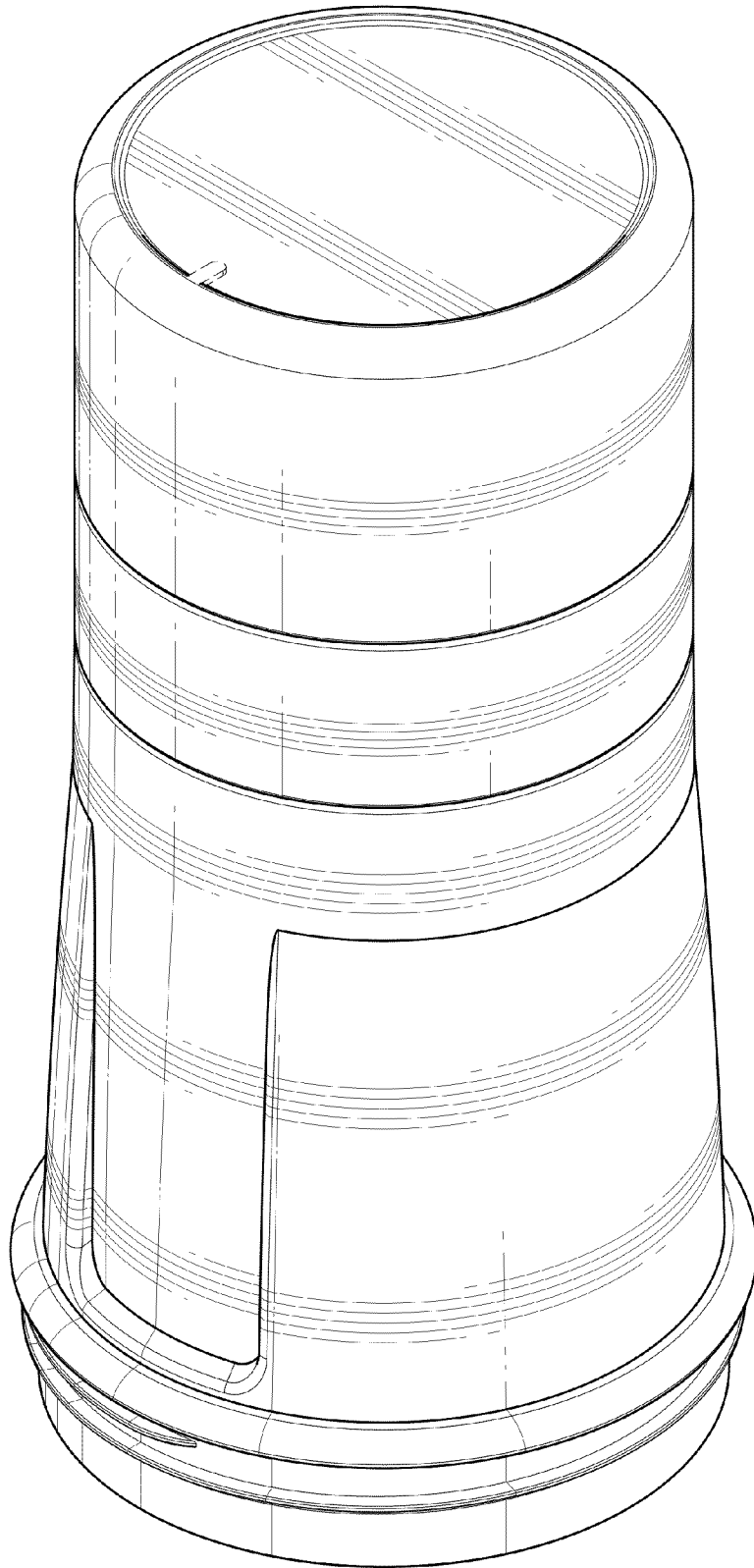


Fig. 2

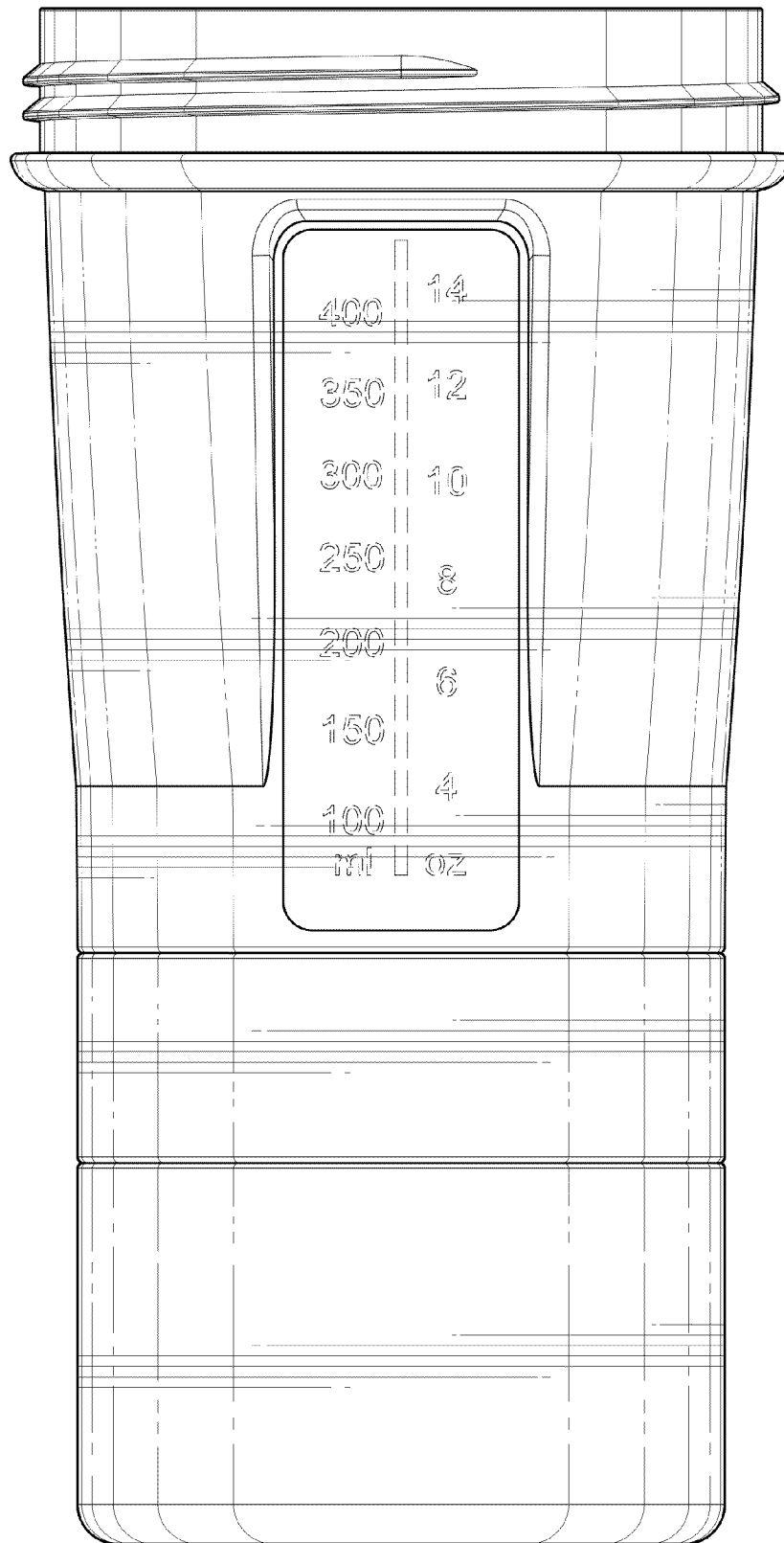


Fig. 3

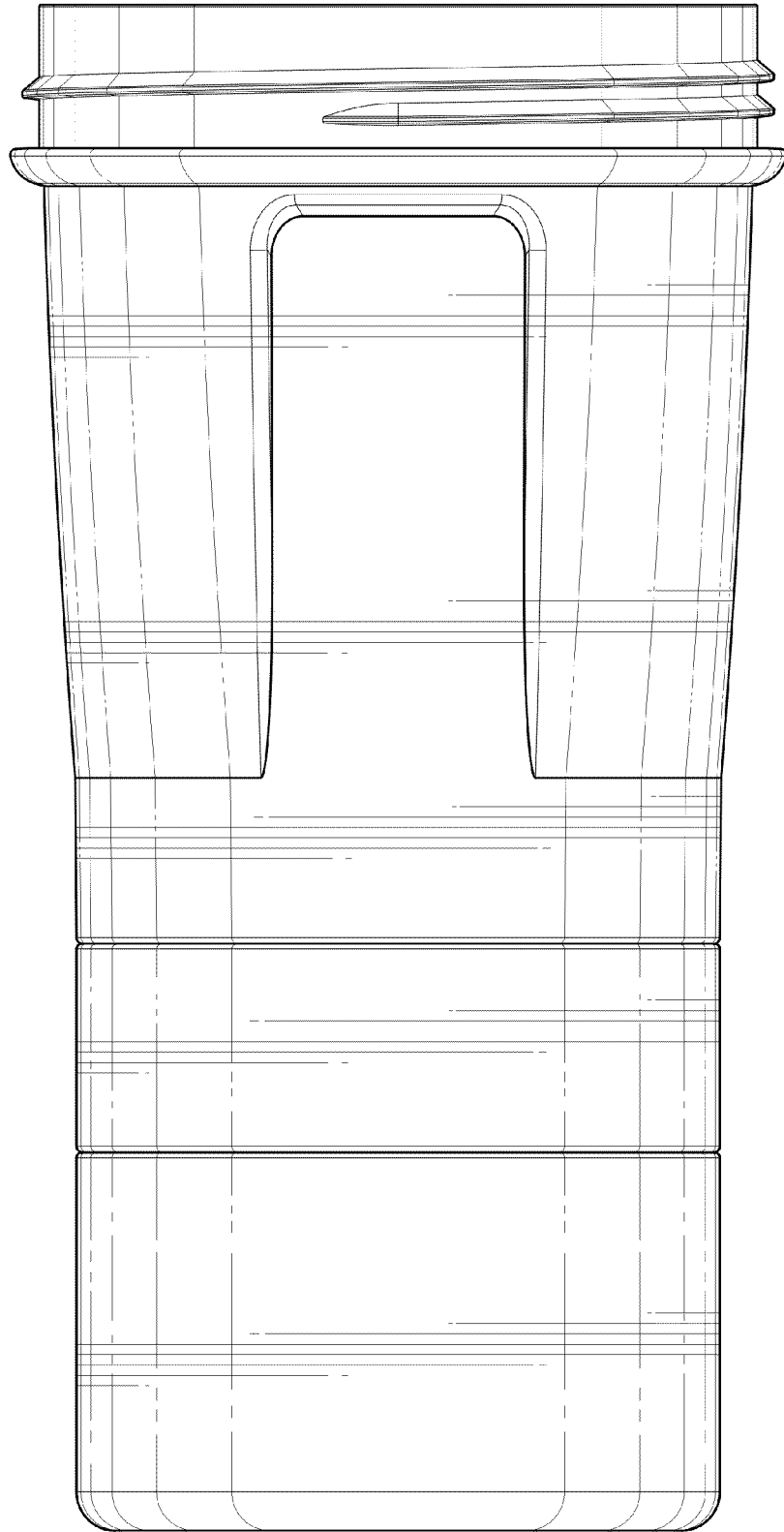


Fig. 4

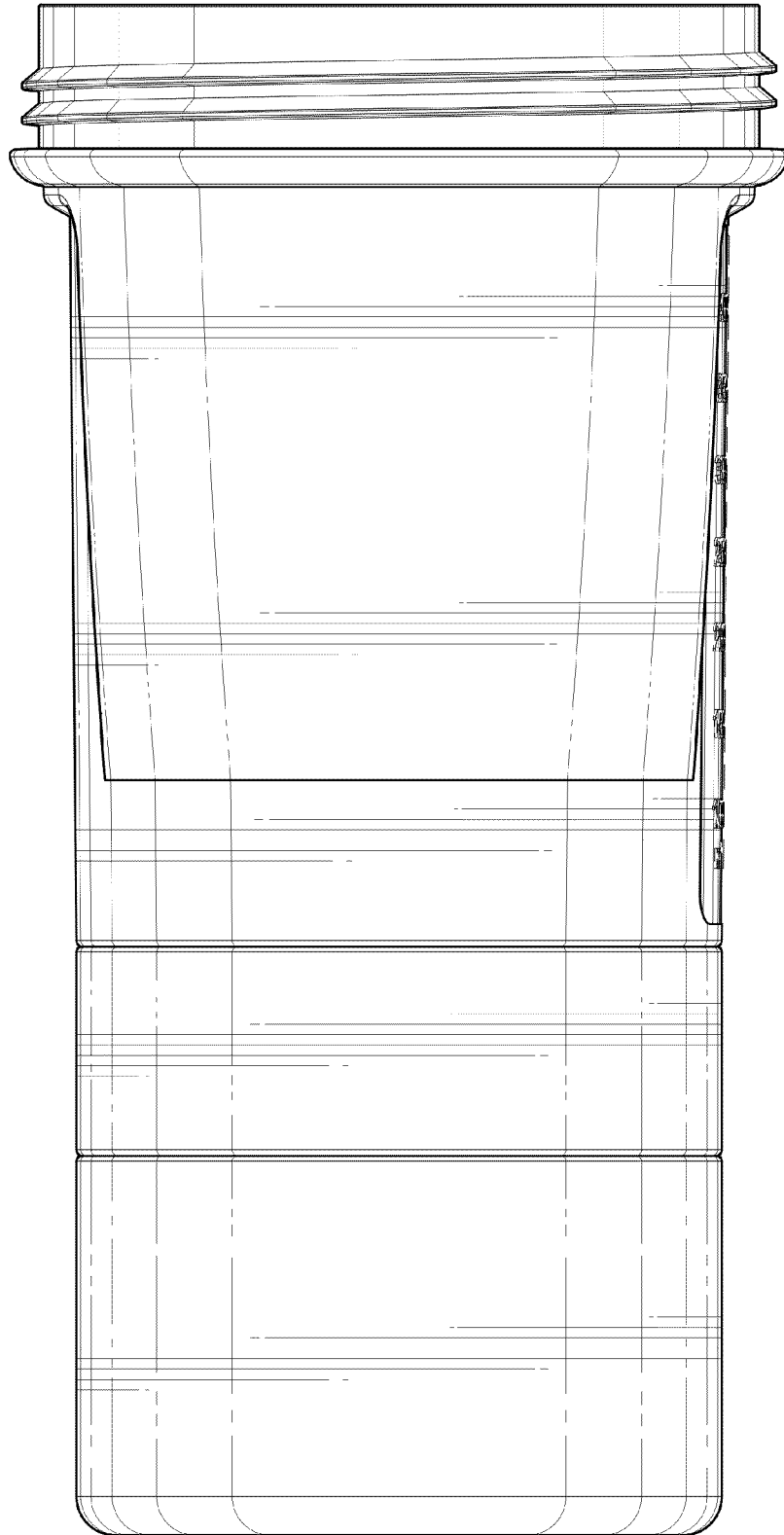


Fig. 5

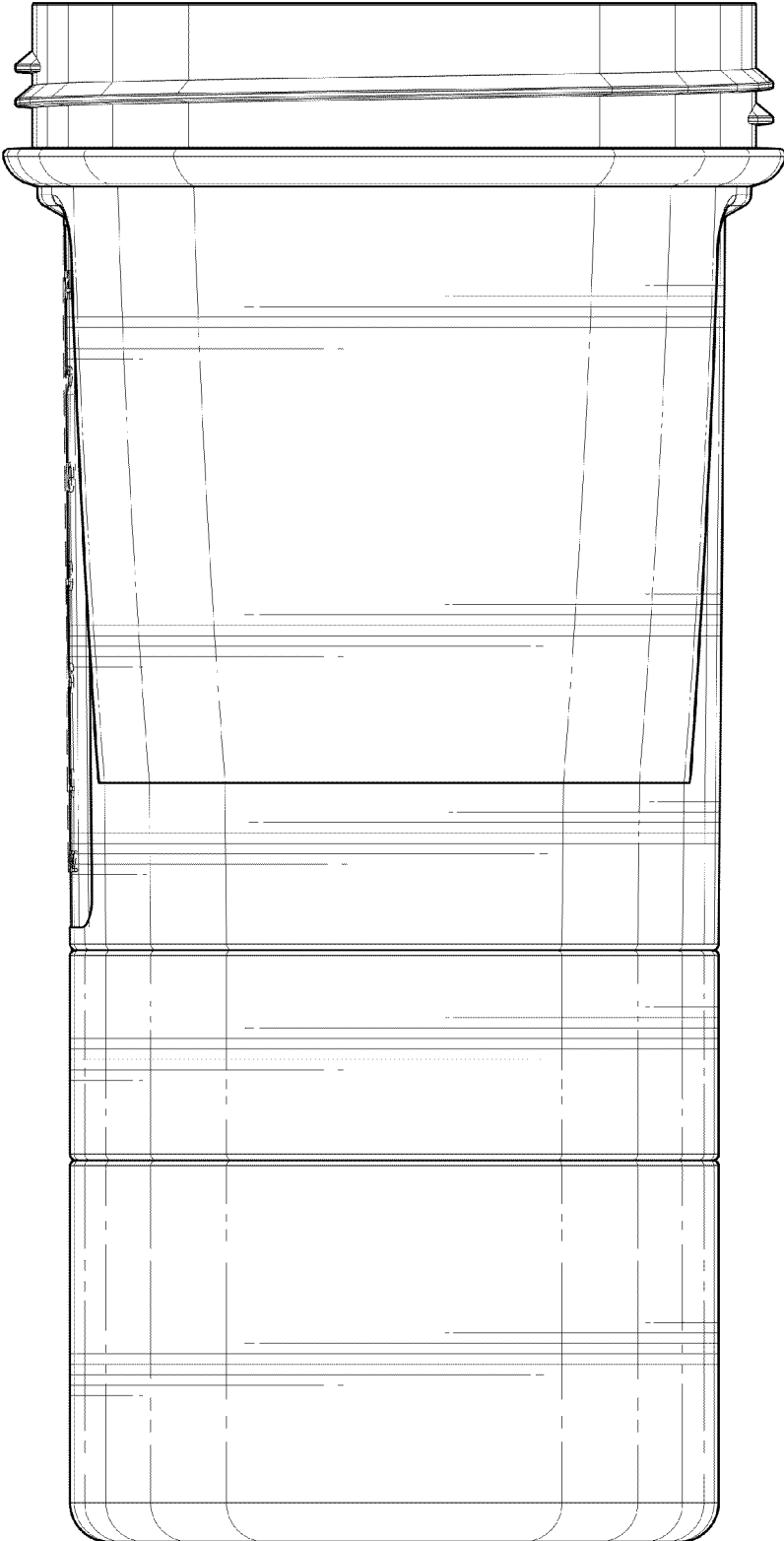


Fig. 6

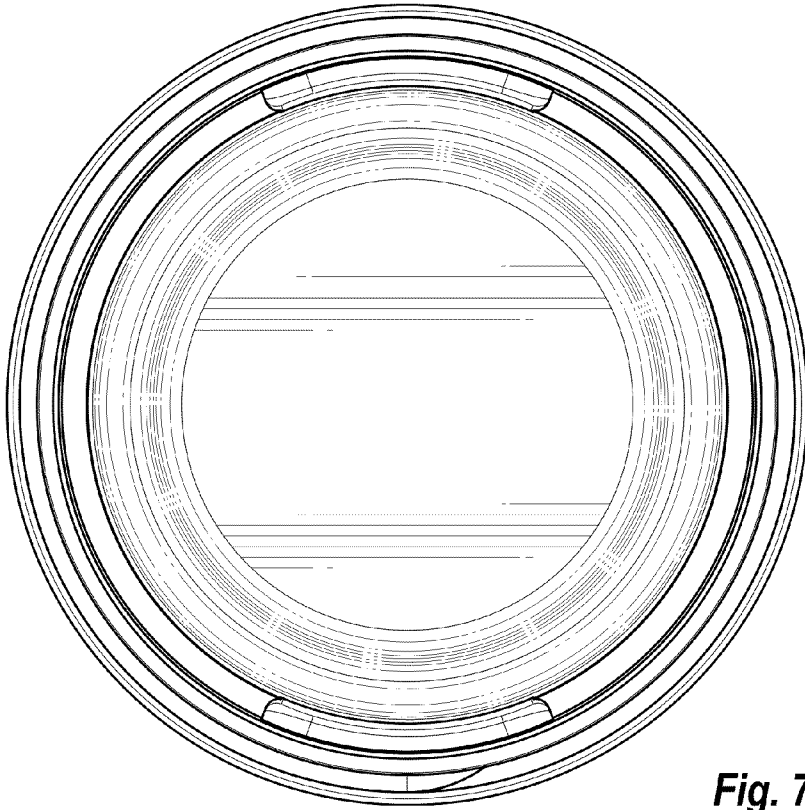


Fig. 7

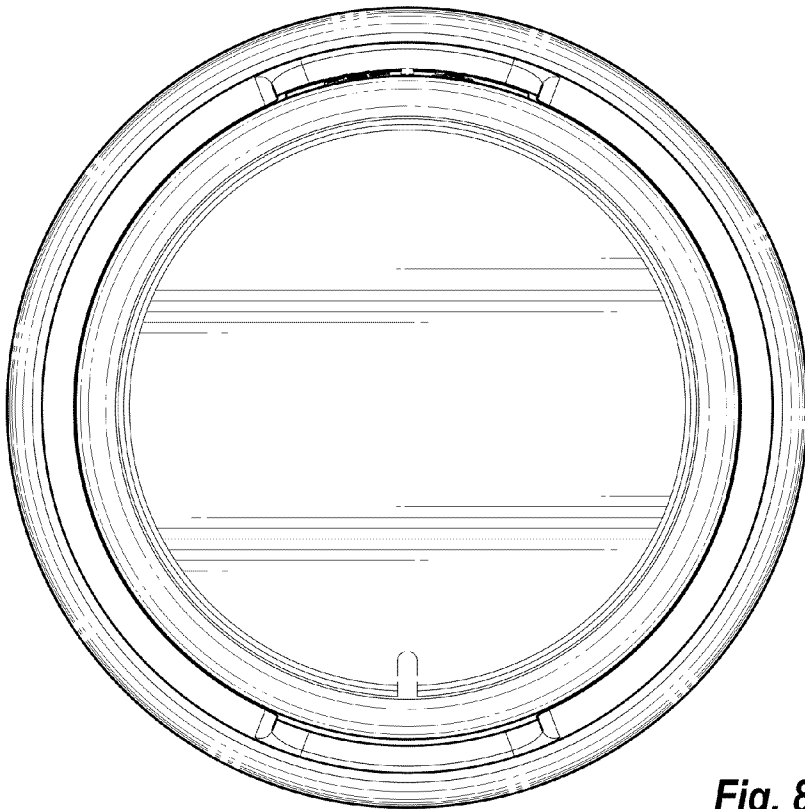


Fig. 8

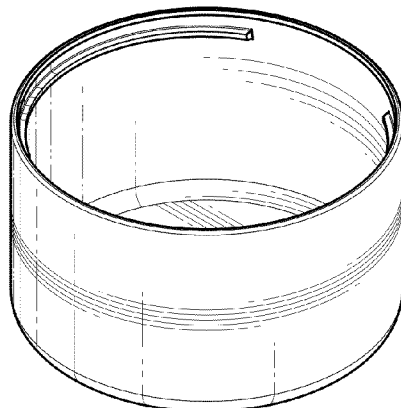
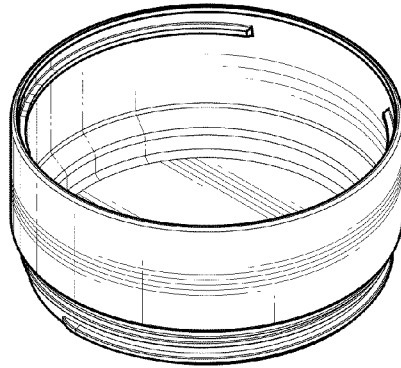
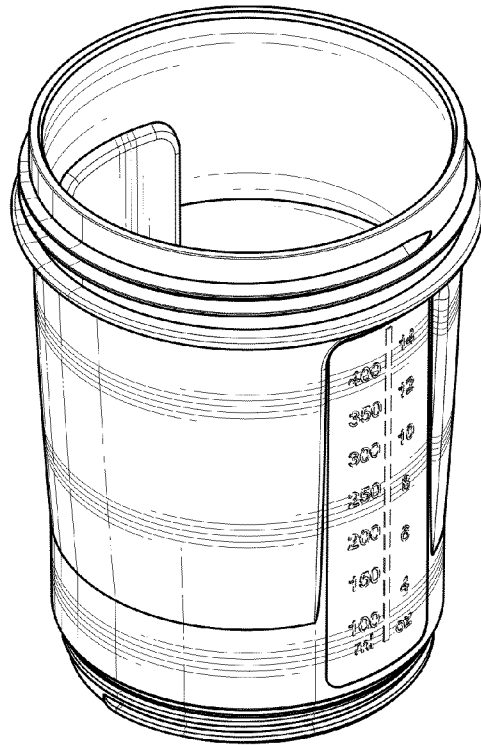


Fig. 9

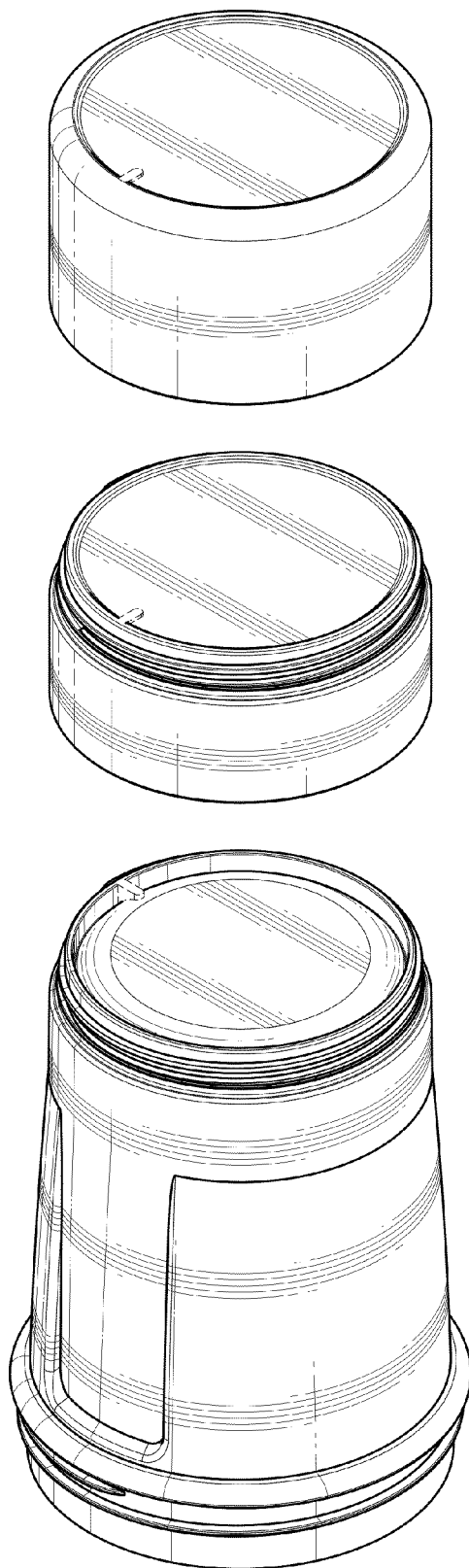


Fig. 10

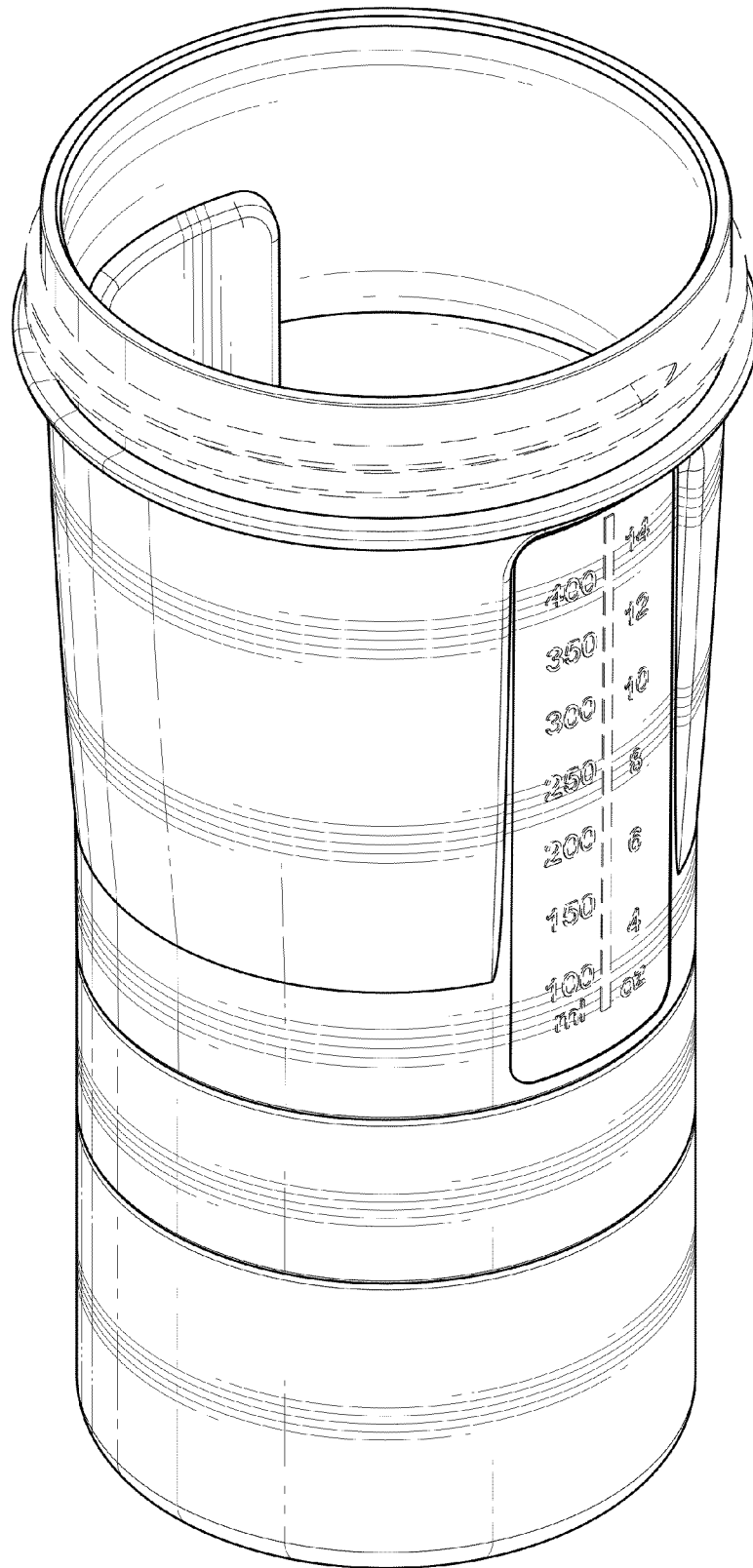


Fig. 11

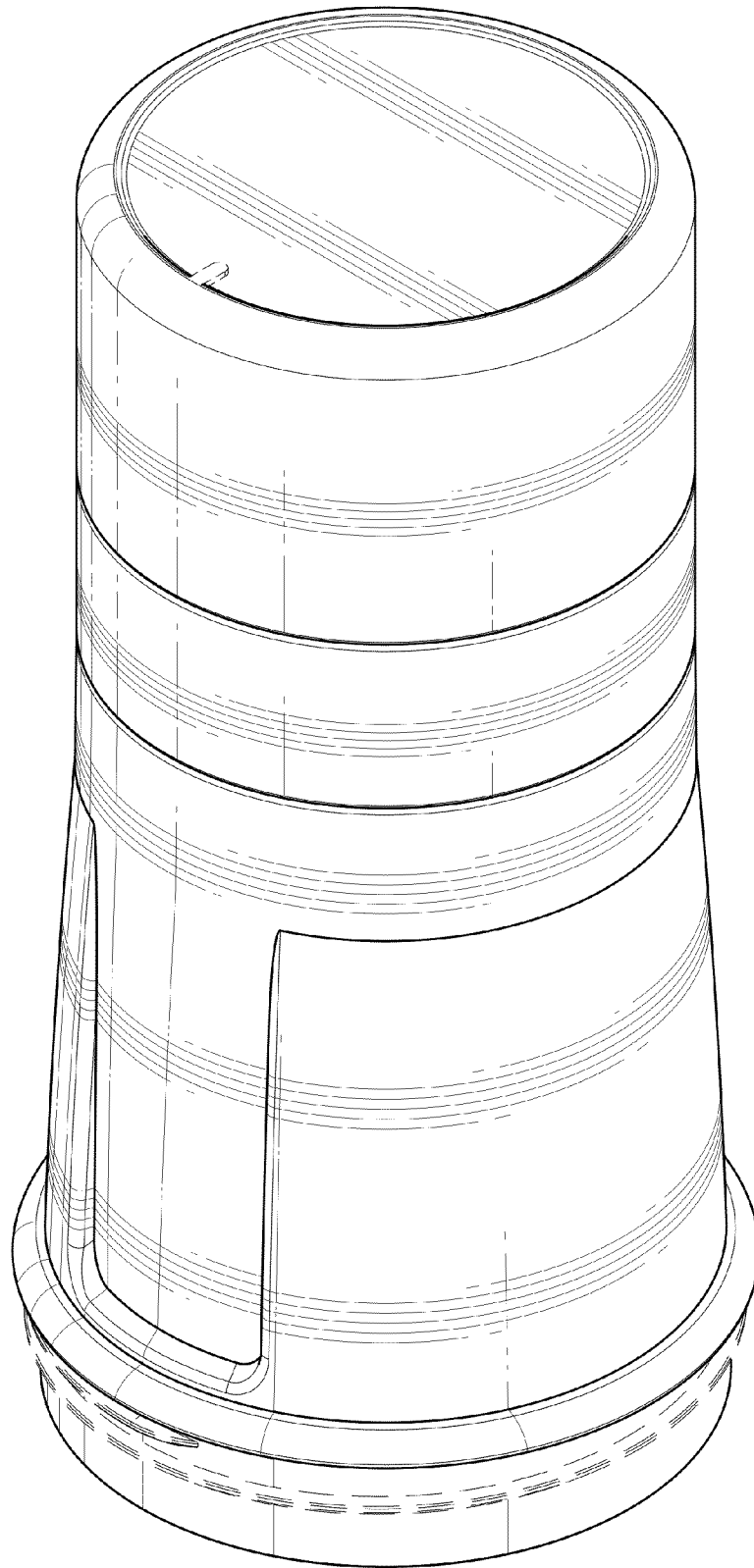


Fig. 12

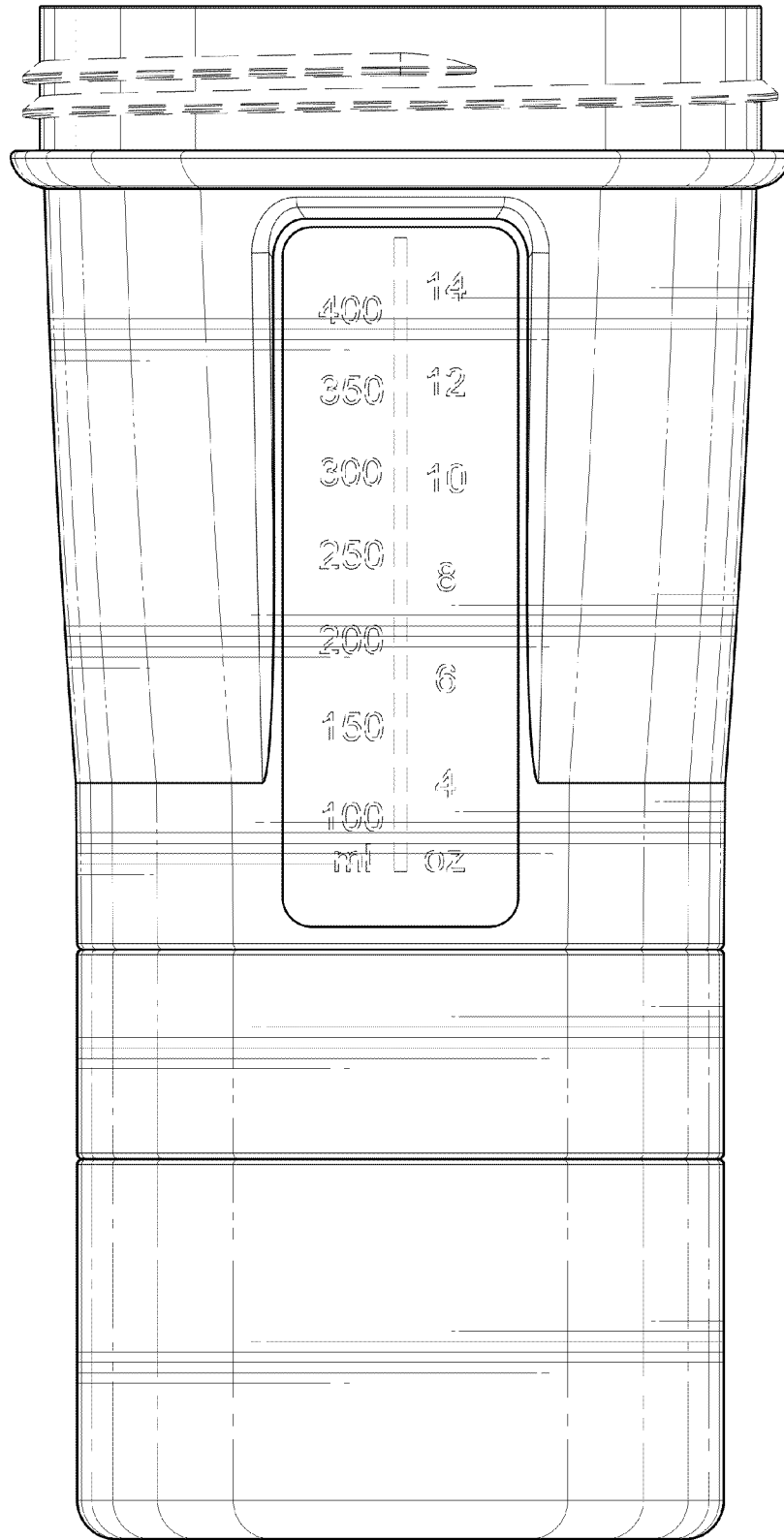


Fig. 13

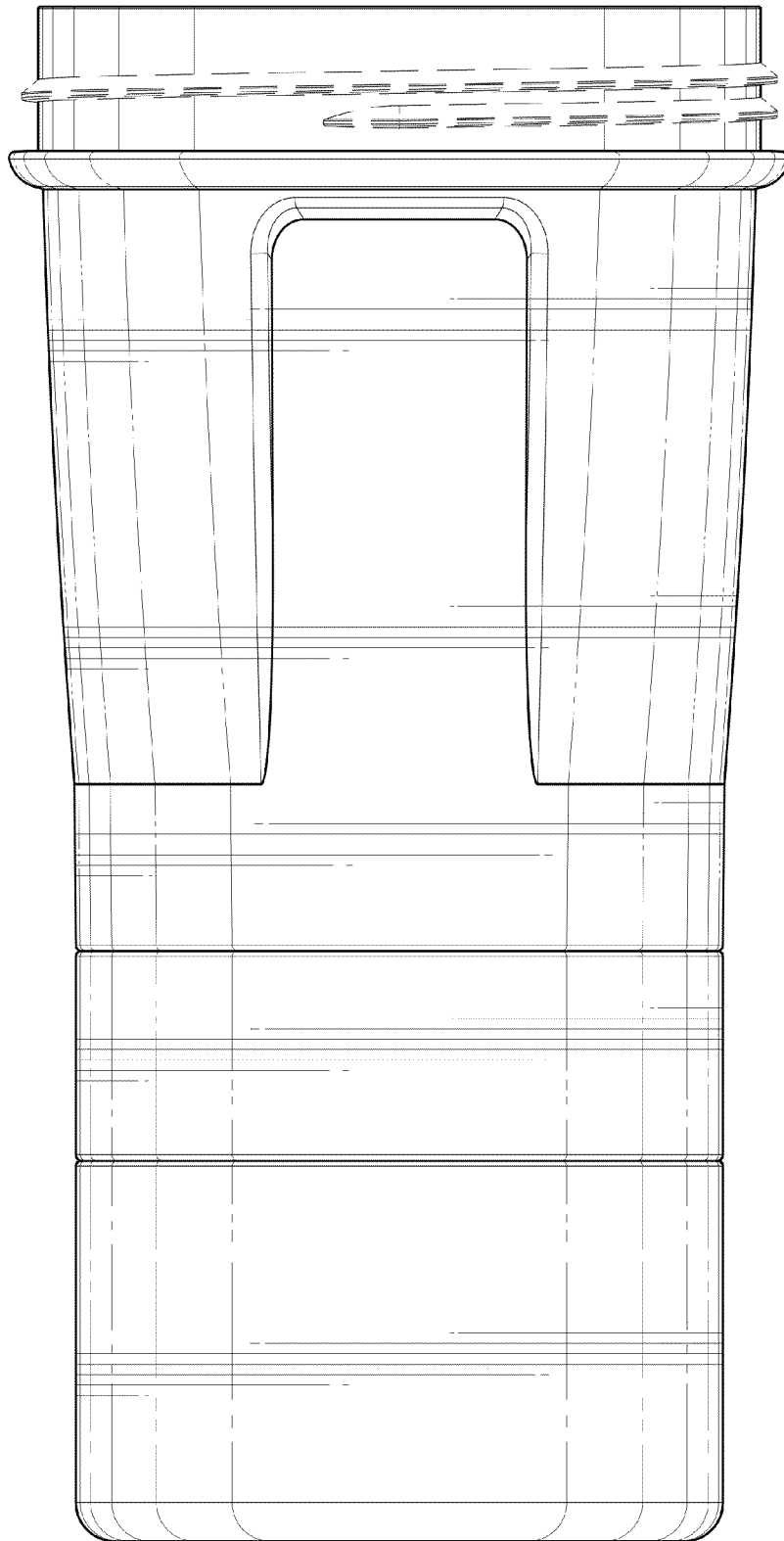


Fig. 14

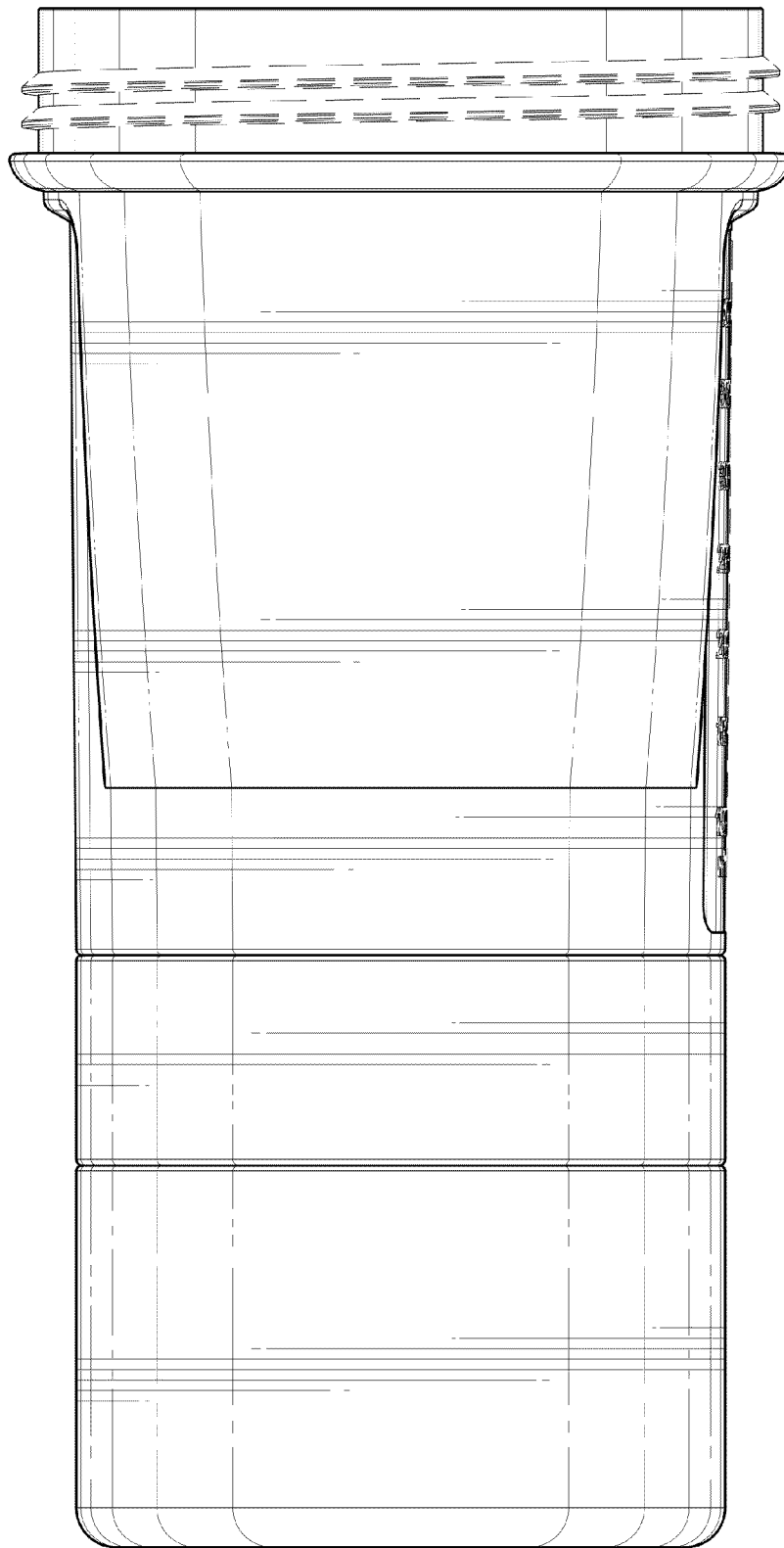


Fig. 15

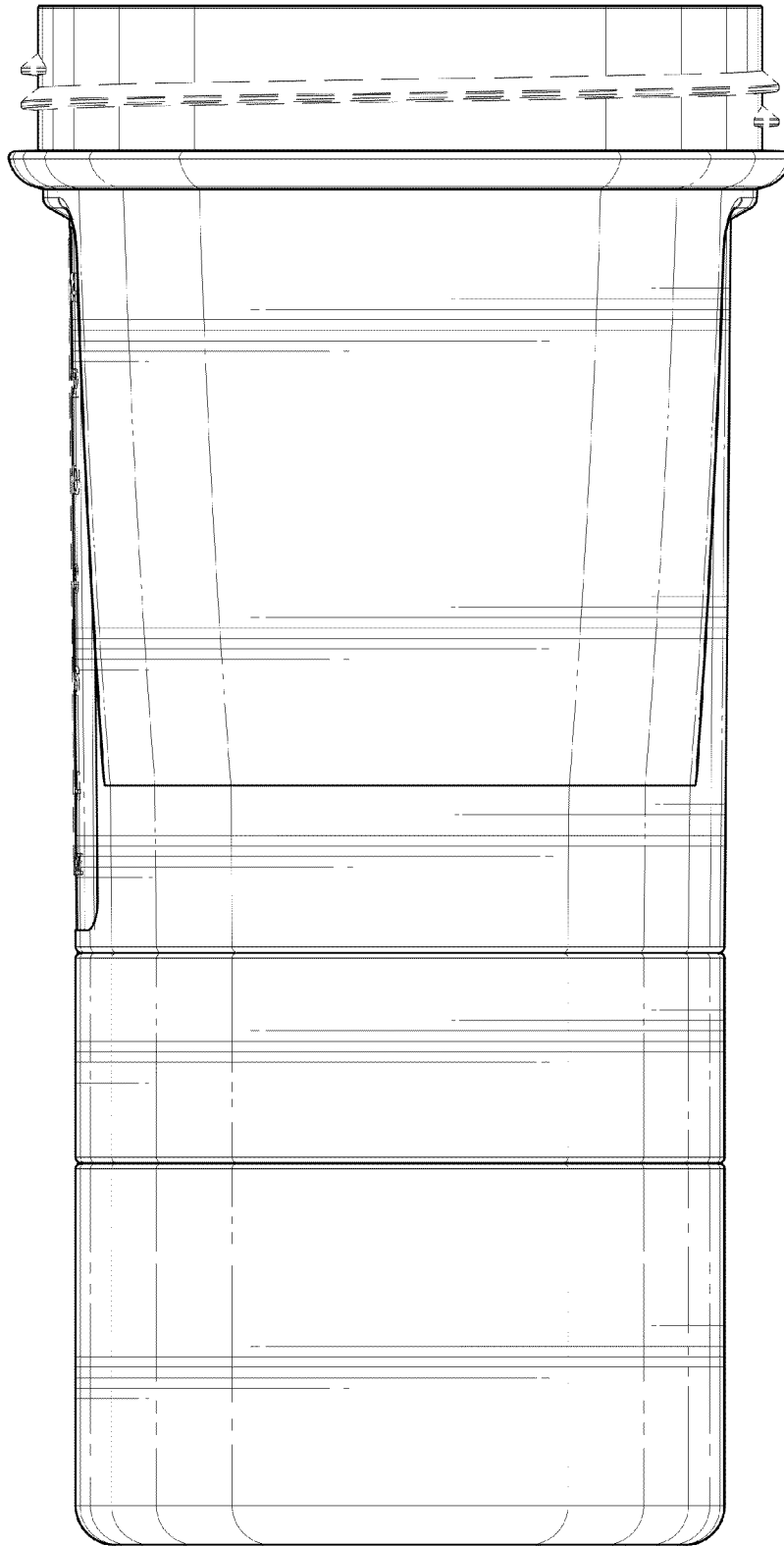


Fig. 16

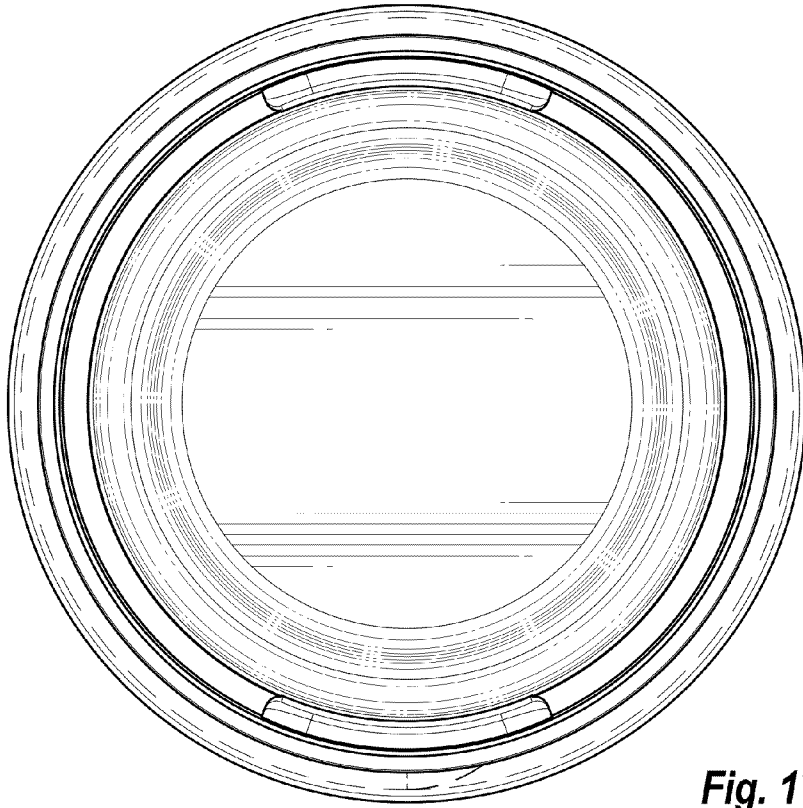


Fig. 17

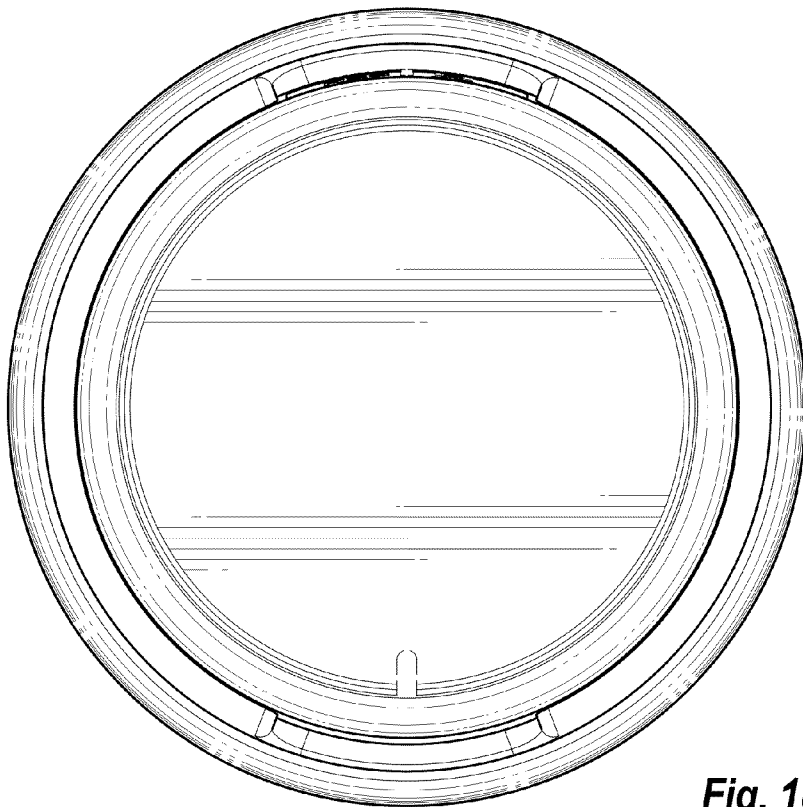


Fig. 18

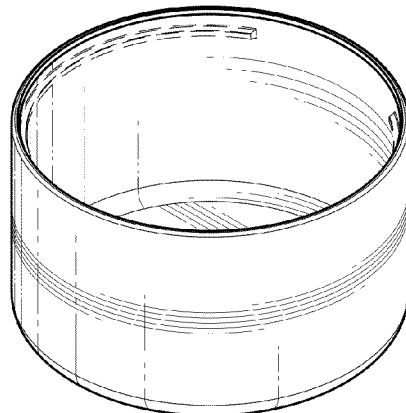
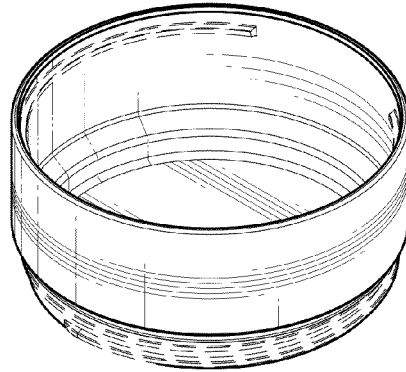
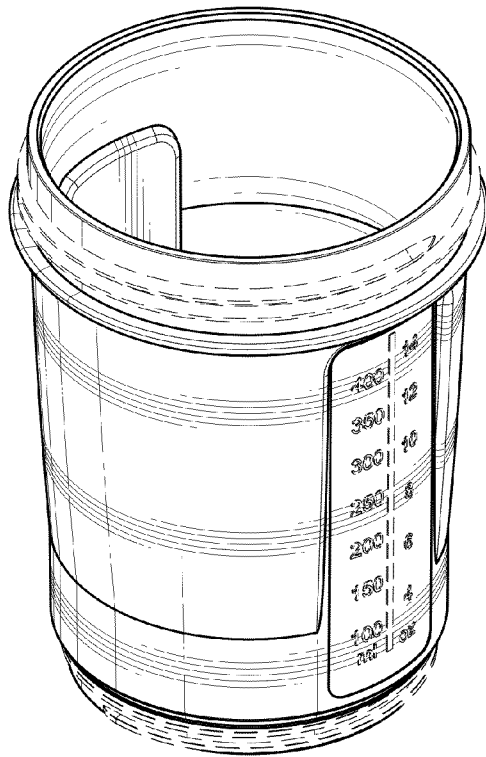


Fig. 19

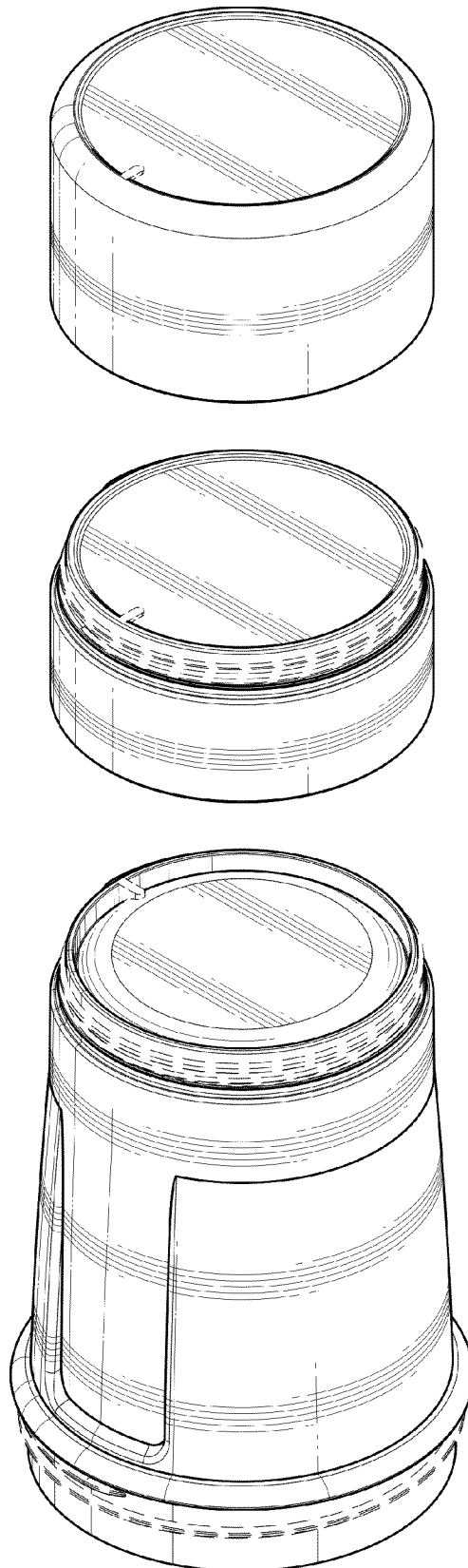


Fig. 20