



US00D696551S

(12) **United States Design Patent**  
**Meyers et al.**

(10) **Patent No.:** **US D696,551 S**

(45) **Date of Patent:** **\*\* Dec. 31, 2013**

(54) **BOTTLE LID HAVING INTEGRATED HANDLE**

(75) Inventors: **David O. Meyers**, Kaysville, UT (US);  
**Steven M. Sorensen**, Alpine, UT (US)

(73) Assignee: **Runway Blue, LLC**, Pleasant Grove, UT (US)

(\*\*) Term: **14 Years**

(21) Appl. No.: **29/431,544**

(22) Filed: **Sep. 7, 2012**

(51) **LOC (9) Cl.** ..... **07-02**

(52) **U.S. Cl.**  
USPC ..... **D7/392.1; D9/443**

(58) **Field of Classification Search**  
USPC ..... D7/300, 300.1, 391, 392, 392.1, 396.2, D7/509-511, 523, 608, 900; D9/443, 446, D9/447, 449, 450, 453, 454, 505; 215/11.6, 44, 224, 229, 306, 311; 220/3.75, 23.83, 212.5, 292, 714, 705; 222/83, 420, 450, 530, 543  
See application file for complete search history.

(56) **References Cited**

U.S. PATENT DOCUMENTS

1,037,051 A	8/1912	Ramsey
1,094,469 A	4/1914	Pick
1,389,732 A	9/1921	Baron
1,479,053 A	1/1924	Brooks
1,573,620 A	2/1926	Allston
2,056,879 A	10/1936	Winterhalter et al.
2,272,867 A	2/1942	Cobel
2,514,573 A	7/1950	Harrison
2,573,378 A	10/1951	Zurlinden
2,574,876 A	11/1951	Lebus
2,575,299 A	11/1951	Scheel
2,638,253 A	5/1953	Mueller
2,748,997 A	6/1956	Richmond, Sr.
2,752,971 A	7/1956	Tupper

2,754,866 A	7/1956	Coltman
3,022,925 A	2/1962	Daniell
3,091,361 A	5/1963	Gawron
3,143,205 A	8/1964	Ruderian
3,144,016 A	8/1964	Basci
3,168,226 A	2/1965	Underwood
3,369,691 A	2/1968	Wei
3,552,548 A	1/1971	Wallestad et al.

(Continued)

FOREIGN PATENT DOCUMENTS

CN	201139196	10/2008
JP	2006103793 A	4/2004
JP	2008247404	10/2008

OTHER PUBLICATIONS

U.S. Appl. No. 12/762,292, filed Apr. 16, 2010, Meyers, et al.

(Continued)

*Primary Examiner* — Susan E Krakower  
(74) *Attorney, Agent, or Firm* — Maschoff Brennan

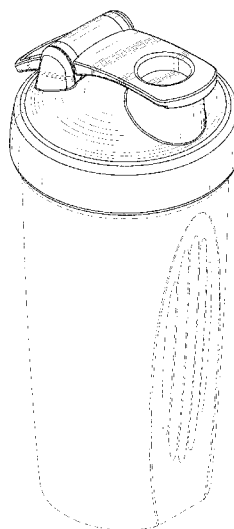
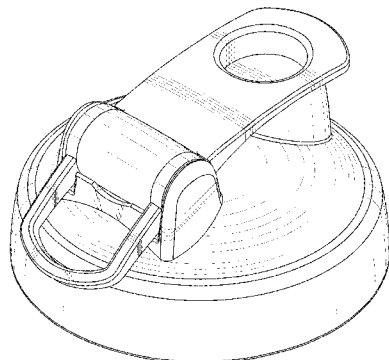
(57) **CLAIM**

The ornamental design for a bottle lid with an integrated handle, as shown and described.

**DESCRIPTION**

FIG. 1 is a front elevation view of the bottle lid having an integrated handle, the rear elevation view being a mirror image thereof;  
FIG. 2 is a left side elevation view thereof;  
FIG. 3 is a top plan view thereof;  
FIG. 4 is a bottom plan view thereof;  
FIG. 5 is a perspective view thereof; and,  
FIG. 6 is a perspective view of the bottle lid shown in condition of use.  
The broken lines showing a bottle in FIG. 6 illustrate environmental structure and form no part of the claimed design.

**1 Claim, 6 Drawing Sheets**



(56)

## References Cited

## U.S. PATENT DOCUMENTS

- |                |         |                      |                 |         |                    |          |
|----------------|---------|----------------------|-----------------|---------|--------------------|----------|
| 3,770,160 A    | 11/1973 | Flider               | D644,065 S *    | 8/2011  | Llerena            | D7/510   |
| 3,820,692 A    | 6/1974  | Swett et al.         | 8,020,257 B2    | 9/2011  | Merten et al.      |          |
| D233,116 S     | 10/1974 | Swett et al.         | D646,546 S      | 10/2011 | Robinson et al.    |          |
| 4,022,352 A    | 5/1977  | Pehr                 | D646,919 S *    | 10/2011 | Nilsson            | D7/300.1 |
| 4,136,799 A    | 1/1979  | Albert               | D647,760 S      | 11/2011 | Pearson            |          |
| 4,158,902 A    | 6/1979  | Chernack et al.      | D652,256 S *    | 1/2012  | Eyal               | D7/510   |
| D261,088 S     | 10/1981 | Akimov et al.        | D655,131 S *    | 3/2012  | Nilsson            | D7/392.1 |
| 4,399,926 A    | 8/1983  | Eidels-Dubovoy       | D655,967 S      | 3/2012  | Bodum              |          |
| 4,457,458 A    | 7/1984  | Heinol               | D656,357 S *    | 3/2012  | Enghard            | D7/300.1 |
| 4,474,303 A    | 10/1984 | Maccise              | D661,551 S *    | 6/2012  | Gilbert            | D7/629   |
| 4,519,518 A    | 5/1985  | Wiles et al.         | D666,047 S *    | 8/2012  | Lin                | D7/300.1 |
| 4,537,044 A    | 8/1985  | Putnam               | D666,061 S      | 8/2012  | Ying               |          |
| 4,735,333 A    | 4/1988  | Lay et al.           | D667,694 S      | 9/2012  | Meyers et al.      |          |
| 4,776,501 A    | 10/1988 | Ostrowsky            | 8,302,796 B1    | 11/2012 | Johnson            |          |
| 4,805,790 A    | 2/1989  | Leonetti et al.      | 8,342,349 B2    | 1/2013  | Lu                 |          |
| 4,932,225 A    | 6/1990  | Bighouse             | D677,121 S      | 3/2013  | Meyers et al.      |          |
| 5,064,911 A    | 11/1991 | Sasaki et al.        | D686,885 S      | 7/2013  | Meyers et al.      |          |
| 5,065,877 A    | 11/1991 | Karppinen et al.     | D686,886 S      | 7/2013  | Meyers et al.      |          |
| 5,088,614 A    | 2/1992  | Dumestre             | D686,887 S      | 7/2013  | Meyers et al.      |          |
| D330,862 S     | 11/1992 | Shibley et al.       | D686,888 S      | 7/2013  | Meyers et al.      |          |
| 5,228,584 A    | 7/1993  | Williams, Jr.        | 2002/0074334 A1 | 6/2002  | Karp               |          |
| D342,898 S     | 1/1994  | Cane                 | 2003/0085228 A1 | 5/2003  | Oakes              |          |
| 5,289,930 A    | 3/1994  | Inouye               | 2004/0217139 A1 | 11/2004 | Roth et al.        |          |
| D350,460 S     | 9/1994  | Picozza et al.       | 2004/0252306 A1 | 12/2004 | Morris             |          |
| 5,386,922 A    | 2/1995  | Jordan               | 2005/0045634 A1 | 3/2005  | Ward et al.        |          |
| D356,499 S     | 3/1995  | Cautereels et al.    | 2005/0045636 A1 | 3/2005  | Lown et al.        |          |
| 5,547,111 A    | 8/1996  | Geiger et al.        | 2007/0012693 A1 | 1/2007  | Kummer             |          |
| 5,609,277 A    | 3/1997  | McDonald             | 2007/0175931 A1 | 8/2007  | Leoncavallo et al. |          |
| D382,968 S     | 8/1997  | Giles et al.         | 2008/0099514 A1 | 5/2008  | Carter et al.      |          |
| D404,305 S     | 1/1999  | De Baschmakoff       | 2009/0178940 A1 | 7/2009  | Said               |          |
| D405,654 S     | 2/1999  | Moran                | 2009/0188884 A1 | 7/2009  | Nelson et al.      |          |
| D421,547 S *   | 3/2000  | Demers               | 2009/0188933 A1 | 7/2009  | Daams              |          |
| 6,161,713 A    | 12/2000 | Krich                | 2009/0301990 A1 | 12/2009 | Cresswell et al.   |          |
| 6,283,333 B1   | 9/2001  | Knickerbocker et al. | 2010/0200438 A1 | 8/2010  | Davies             |          |
| 6,299,005 B1   | 10/2001 | Higgins              | 2010/0206835 A1 | 8/2010  | Yu                 |          |
| 6,379,032 B1   | 4/2002  | Sorensen             | 2010/0224631 A1 | 9/2010  | Roth et al.        |          |
| D458,081 S     | 6/2002  | Bodum                | 2010/0282703 A1 | 11/2010 | Yang               |          |
| D461,420 S     | 8/2002  | Kerman               | 2011/0017760 A1 | 1/2011  | Newman             |          |
| D497,431 S     | 10/2004 | Bentley              | 2011/0253733 A1 | 10/2011 | Meyers et al.      |          |
| 6,832,412 B2   | 12/2004 | Kim                  |                 |         |                    |          |
| 6,860,397 B1   | 3/2005  | Walters, Jr.         |                 |         |                    |          |
| D504,273 S     | 4/2005  | Ancona               |                 |         |                    |          |
| D508,185 S *   | 8/2005  | Gauss                |                 |         |                    | D7/392.1 |
| D510,235 S *   | 10/2005 | Sorensen             |                 |         |                    | D7/510   |
| D518,336 S     | 4/2006  | Hirani               |                 |         |                    |          |
| 7,073,678 B1   | 7/2006  | Dibdin et al.        |                 |         |                    |          |
| D526,827 S     | 8/2006  | Allen et al.         |                 |         |                    |          |
| D528,862 S     | 9/2006  | Li                   |                 |         |                    |          |
| D529,339 S     | 10/2006 | Carreno et al.       |                 |         |                    |          |
| D532,650 S *   | 11/2006 | de Groote            |                 |         |                    | D7/392   |
| D543,454 S     | 5/2007  | Leoncavallo et al.   |                 |         |                    |          |
| D546,131 S     | 7/2007  | Morales              |                 |         |                    |          |
| D547,607 S *   | 7/2007  | Forsman              |                 |         |                    | D7/396.2 |
| D565,353 S     | 4/2008  | Roth et al.          |                 |         |                    |          |
| D574,190 S     | 8/2008  | Homma                |                 |         |                    |          |
| D580,227 S *   | 11/2008 | Roth et al.          |                 |         |                    | D7/510   |
| D586,184 S     | 2/2009  | Miller et al.        |                 |         |                    |          |
| D587,069 S     | 2/2009  | Bodum                |                 |         |                    |          |
| D589,751 S     | 4/2009  | Liu et al.           |                 |         |                    |          |
| D592,913 S     | 5/2009  | Pinelli et al.       |                 |         |                    |          |
| 7,533,783 B2 * | 5/2009  | Choi et al.          |                 |         |                    | 220/714  |
| D593,811 S     | 6/2009  | Carreno              |                 |         |                    |          |
| D599,664 S     | 9/2009  | Fujinami et al.      |                 |         |                    |          |
| D604,103 S     | 11/2009 | Alviar et al.        |                 |         |                    |          |
| D609,970 S     | 2/2010  | Richau et al.        |                 |         |                    |          |
| D613,110 S     | 4/2010  | Lane et al.          |                 |         |                    |          |
| D622,089 S     | 8/2010  | Daniel et al.        |                 |         |                    |          |
| D622,554 S     | 8/2010  | Carreno              |                 |         |                    |          |
| 7,806,284 B2   | 10/2010 | Mangano              |                 |         |                    |          |
| D626,837 S *   | 11/2010 | Meyers et al.        |                 |         |                    | D9/443   |
| D626,838 S *   | 11/2010 | Meyers et al.        |                 |         |                    | D9/443   |
| D628,483 S *   | 12/2010 | McKinney et al.      |                 |         |                    | D9/449   |
| D629,657 S     | 12/2010 | Carreno              |                 |         |                    |          |
| 7,870,980 B2   | 1/2011  | Wilson et al.        |                 |         |                    |          |
| D641,594 S     | 7/2011  | Huang                |                 |         |                    |          |

## OTHER PUBLICATIONS

- U.S. Appl. No. 13/232,891, filed Sep. 14, 2011, Meyers, et al.  
U.S. Appl. No. 13/232,935, filed Sep. 14, 2011, Meyers, et al.  
U.S. Appl. No. 29/430,882, filed Aug. 30, 2012, Meyers, et al.  
U.S. Appl. No. 13/609,238, filed Sep. 10, 2012, Meyers, et al.  
U.S. Appl. No. 13/610,445, filed Sep. 11, 2012, Meyers, et al.  
U.S. Appl. No. 13/633,864, filed Oct. 2, 2012, Meyers, et al.  
U.S. Appl. No. 29/457,097, filed Jun. 6, 2013, Sorensen, et al.  
U.S. Appl. No. 29/457,096, filed Jun. 6, 2013, Sorensen, et al.  
U.S. Appl. No. 61/832,085, filed Jun. 6, 2013, Sorensen, et al.  
Kor One, <http://www.korwater.com/buyONE>, accessed Apr. 21, 2010.  
Core 77, <http://www.core77.com/blog/materials/kor.sub.--one.sub.--water.sub.--vessel.sub.--actual.sub.--size.sub.--10211.asp>, accessed Apr. 21, 2010.  
Koyono, <http://www.koyono.com/KOR-ONE-Green-Zen-Water-Hydration-Vessel.sub.--p/kor-one.htm>, accessed Apr. 21, 2010.  
Fit Sugar, [www.fitsugar.com/2496788](http://www.fitsugar.com/2496788), accessed Apr. 21, 2010.  
Thermos, <http://www.shophermos.com/detail/TMS+HP4000GR6>, accessed Apr. 21, 2010.  
Goodlifter, <http://www.goodlifter.com/2009/02/360-paper-water-bottle/>, accessed Apr. 21, 2010.  
Notice of Allowance from U.S. Appl. No. 29/430,882 dated Aug. 5, 2013.  
Advisory Action from U.S. Appl. No. 12/762,292 dated May 24, 2013.  
Office Action from U.S. Appl. No. 12/762,292 dated Jul. 1, 2013.  
Office Action from U.S. Appl. No. 12/762,292 dated Oct. 2, 2012.  
Office Action from U.S. Appl. No. 12/762,292 dated Jul. 17, 2012.  
Office Action from U.S. Appl. No. 12/762,292 dated Feb. 10, 2012.  
Office Action from U.S. Appl. No. 13/610,445 dated Mar. 29, 2013.  
Office Action from U.S. Appl. No. 13/633,864 dated Mar. 29, 2013.  
Office Action from U.S. Appl. No. 13/232,891 dated Jul. 19, 2013.  
Office Action from U.S. Appl. No. 13/609,238 dated May 30, 2013.

(56)

**References Cited**

OTHER PUBLICATIONS

International Search Report from PCT Application No. PCT/US2011/026508 dated Sep. 29, 2011.

Written Opinion from PCT Application No. PCT/US2011/026508 dated Sep. 29, 2011.

International Preliminary Report on Patentability from PCT Application No. PCT/US2011/026508 dated Oct. 16, 2012.

International Search Report from PCT Application No. PCT/US2012/054483 dated Nov. 16, 2012.

International Search Report and Written Opinion from PCT Application No. PCT/US2012/054497 dated Nov. 20, 2012.

International Search Report and Written Opinion from PCT Application No. PCT/US2013/052132 dated Aug. 16, 2013.

\* cited by examiner

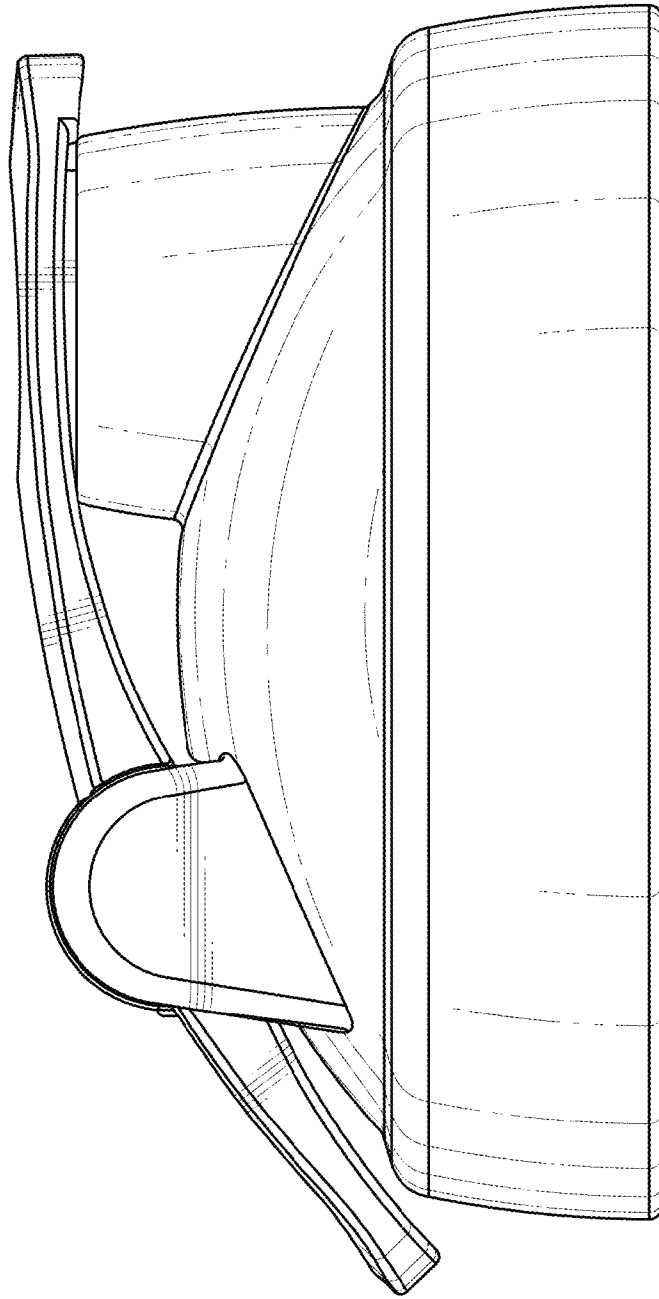


Fig. 1

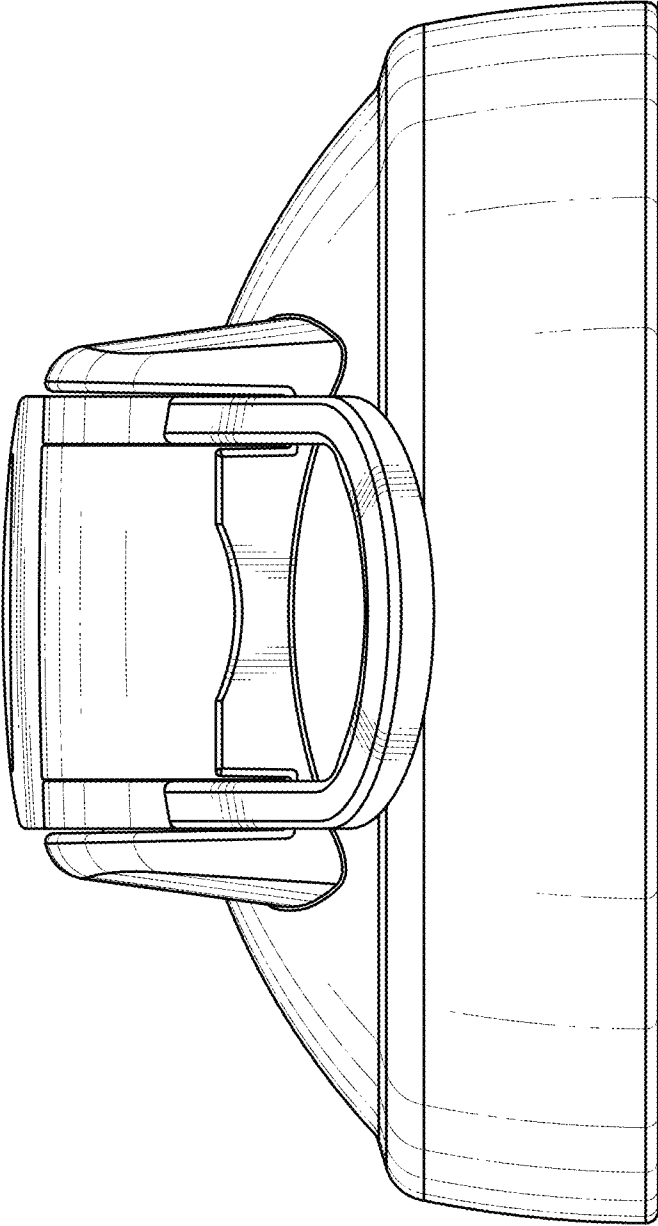


Fig. 2

Fig. 3

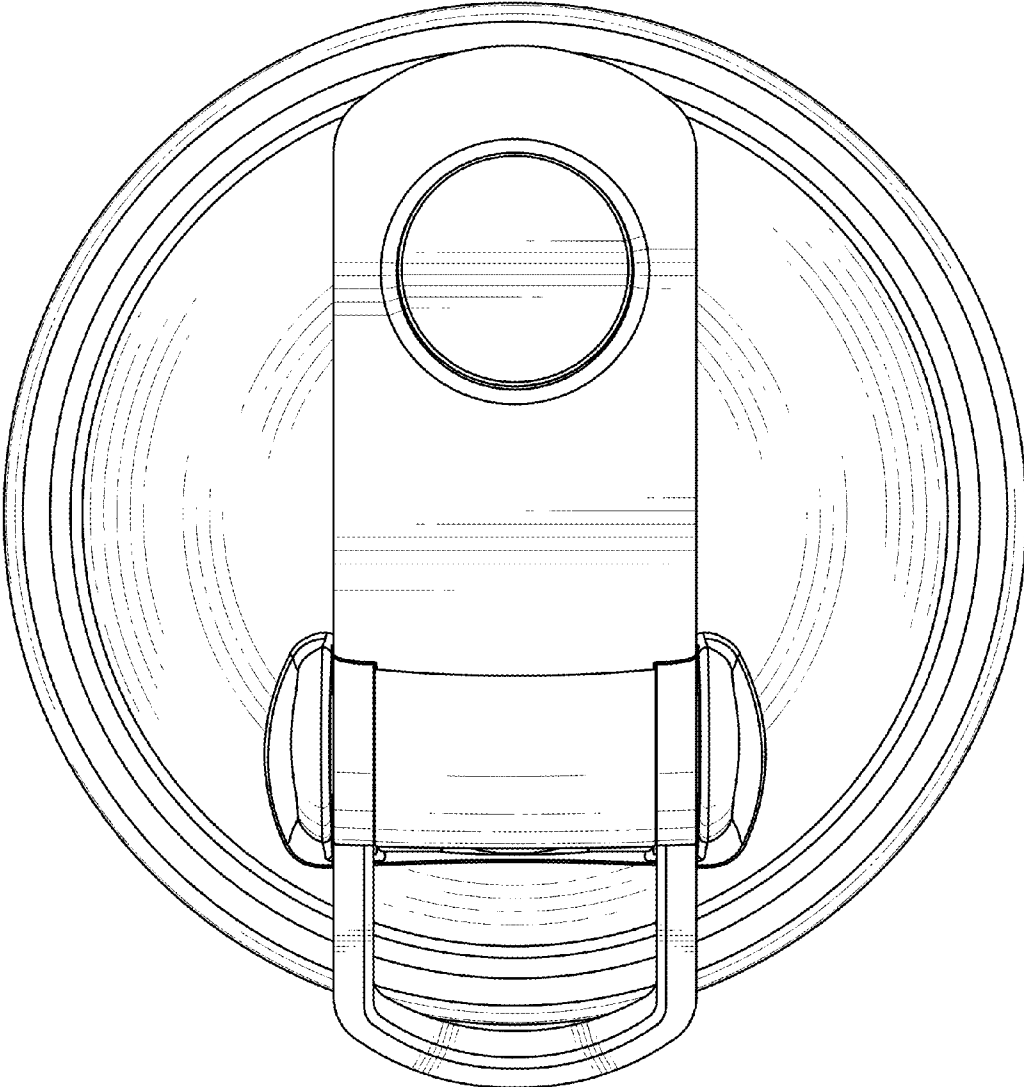
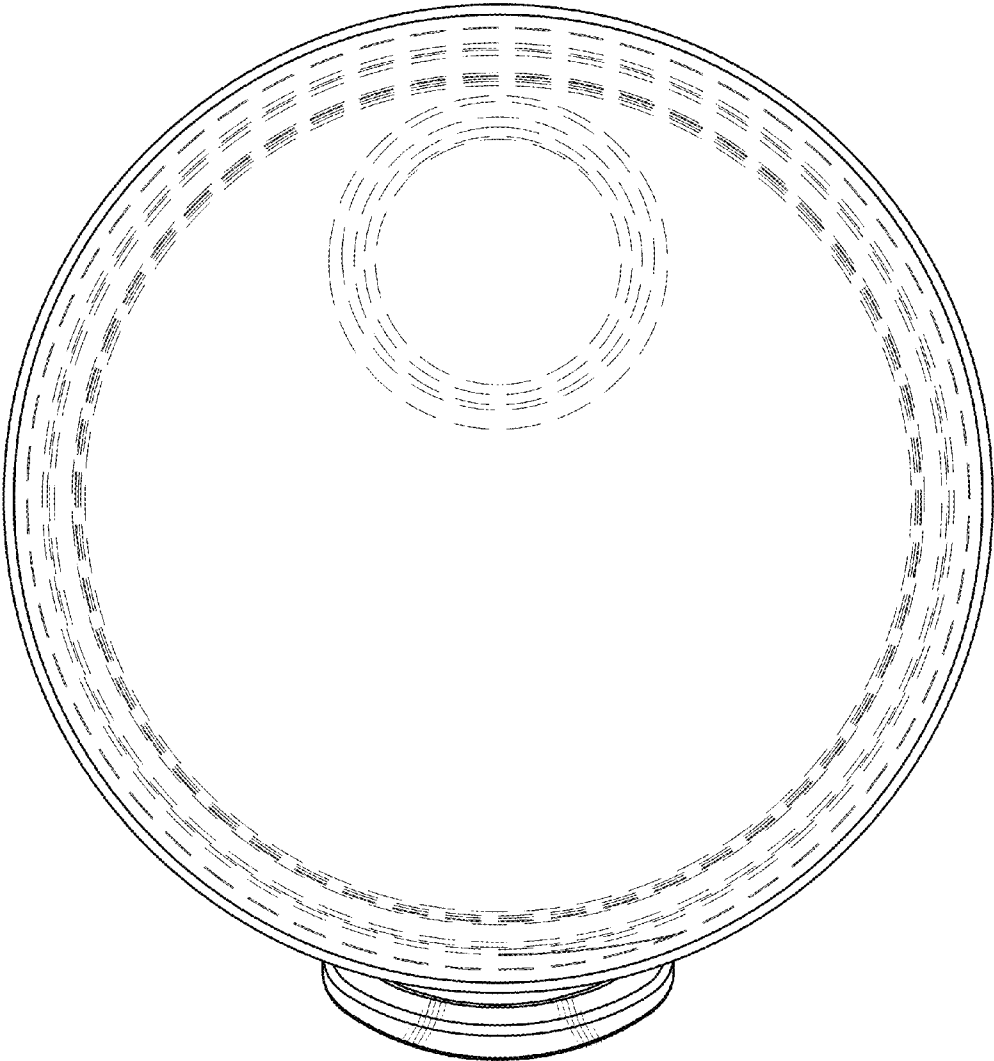


Fig. 4



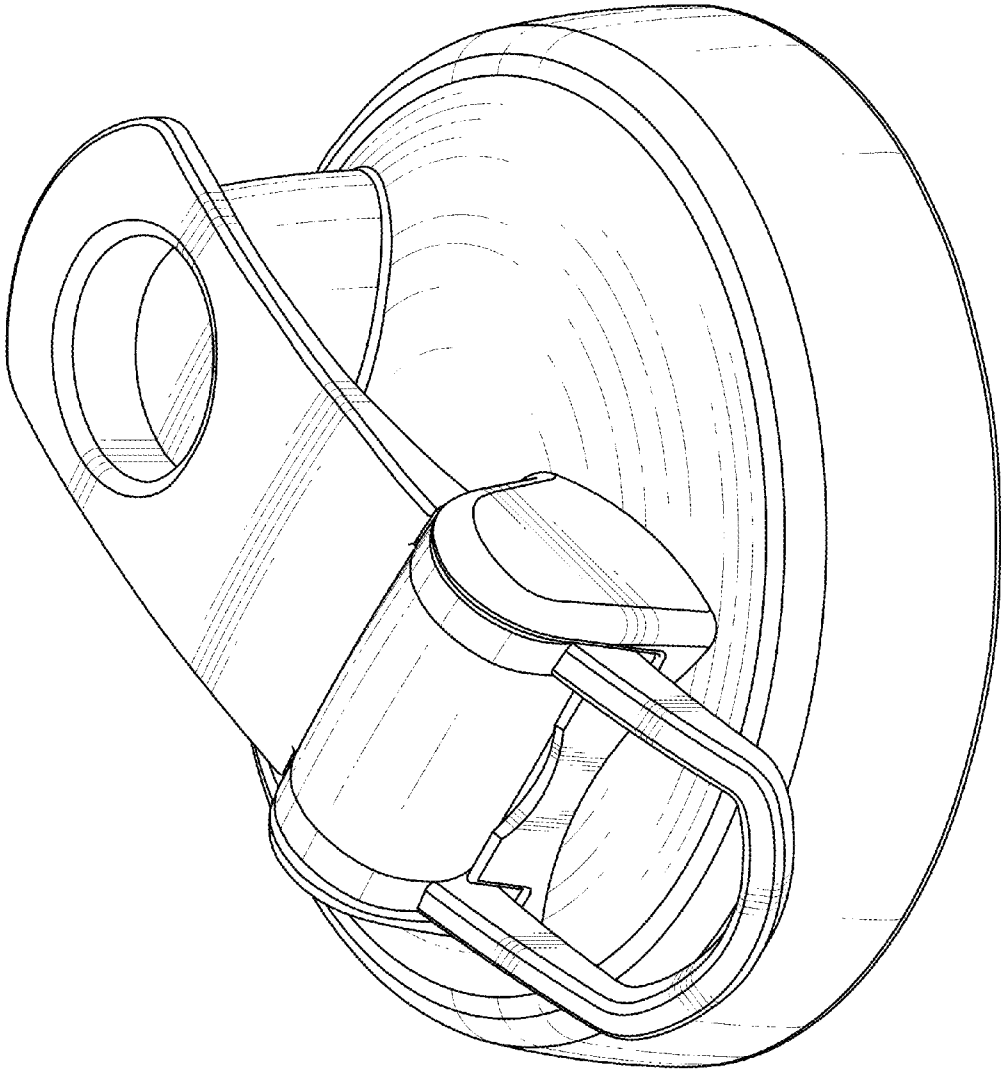
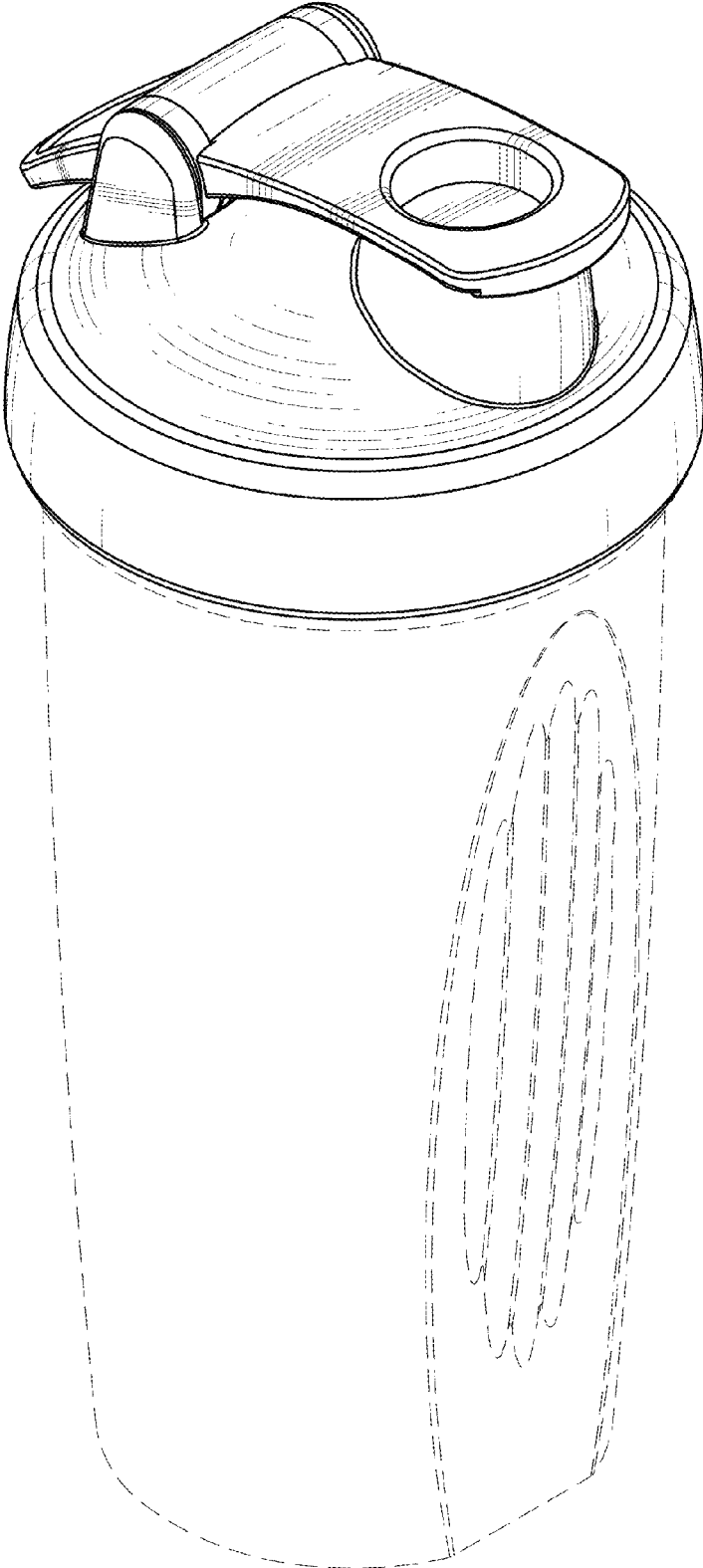


Fig. 5





**Fig. 6**