



US00D696079S

(12) **United States Design Patent**  
**Meyers et al.**

(10) **Patent No.:** **US D696,079 S**

(45) **Date of Patent:** **\*\* Dec. 24, 2013**

(54) **STACKABLE CONTAINER SYSTEM WITH HANDLE**

(75) Inventors: **David O. Meyers**, Kaysville, UT (US);  
**Steven M. Sorensen**, Alpine, UT (US)

(73) Assignee: **Runway Blue, LLC**, Pleasant Grove, UT (US)

(\*\*) Term: **14 Years**

(21) Appl. No.: **29/430,882**

(22) Filed: **Aug. 30, 2012**

(51) **LOC (9) Cl.** ..... **07-07**

(52) **U.S. Cl.**  
USPC ..... **D7/629**

(58) **Field of Classification Search**  
USPC ..... D7/601, 602, 629, 628, 630, 709, 608;  
220/780-806, 675, 574-575, 236, 326,  
220/324, 4.23-4.25, 4.27, 300, 212.5, 293,  
220/294, 761; 206/503, 509, 549, 508, 545  
See application file for complete search history.

(56) **References Cited**

**U.S. PATENT DOCUMENTS**

1,037,051 A	8/1912	Ramsey	
1,094,469 A	4/1914	Pick	
1,389,732 A	9/1921	Baron	
1,479,053 A	1/1924	Brooks	
1,573,620 A	2/1926	Allston	
2,056,879 A	10/1936	Winterhalter et al.	
2,272,867 A	2/1942	Cobel	
2,514,573 A *	7/1950	Harrison	220/4.24
2,573,378 A	10/1951	Zurlinden	
2,574,876 A	11/1951	Lebus	
2,575,299 A	11/1951	Scheel	
2,638,253 A	5/1953	Mueller	
2,748,997 A	6/1956	Richmond, Sr.	
2,752,971 A	7/1956	Tupper	
2,754,866 A	7/1956	Coltman	

3,022,925 A	2/1962	Daniell	
3,091,361 A	5/1963	Gawron	
3,143,205 A	8/1964	Ruderian	
3,144,016 A	8/1964	Basci	
3,168,226 A	2/1965	Underwood	
3,369,691 A *	2/1968	Wei	220/4.27
3,552,548 A *	1/1971	Wallestad et al.	206/710
3,770,160 A	11/1973	Flider	
3,820,692 A	6/1974	Swett et al.	
D233,116 S	10/1974	Swett et al.	

(Continued)

**FOREIGN PATENT DOCUMENTS**

CN	201139196	10/2008
JP	2006103793 A	4/2004
JP	2008247404	10/2008

**OTHER PUBLICATIONS**

U.S. Appl. No. 12/762,292, filed Apr. 16, 2010, Meyers, et al.

(Continued)

*Primary Examiner* — Terry Wallace  
(74) *Attorney, Agent, or Firm* — Maschoff Brennan

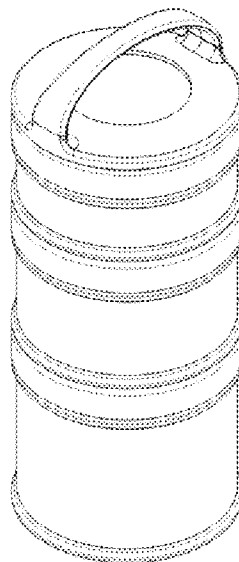
(57) **CLAIM**

The ornamental design for a stackable container system with handle, as shown.

**DESCRIPTION**

FIG. 1 is a front elevation view of the stackable container system with handle (the rear elevation view is symmetrical to the front elevation view);  
FIG. 2 is a left, side elevation view thereof (the right, side elevation view is symmetrical to the left, side elevation view);  
FIG. 3 is a top plan view thereof;  
FIG. 4 is a bottom plan view thereof; and,  
FIG. 5 is a perspective view thereof.

**1 Claim, 5 Drawing Sheets**



(56)

## References Cited

## U.S. PATENT DOCUMENTS

- |                 |           |                      |          |
|-----------------|-----------|----------------------|----------|
| 4,022,352 A     | 5/1977    | Pehr                 |          |
| 4,136,799 A     | 1/1979    | Albert               |          |
| 4,158,902 A     | 6/1979    | Chernack et al.      |          |
| D261,088 S      | * 10/1981 | Akimov et al. ....   | D7/608   |
| 4,399,926 A     | * 8/1983  | Eidels-Dubovoy ..... | 220/288  |
| 4,457,458 A     | 7/1984    | Heinol               |          |
| 4,474,303 A     | * 10/1984 | Maccise .....        | 220/4.27 |
| 4,519,518 A     | 5/1985    | Wiles et al.         |          |
| 4,537,044 A     | * 8/1985  | Putnam .....         | 62/371   |
| 4,735,333 A     | 4/1988    | Lay et al.           |          |
| 4,776,501 A     | 10/1988   | Ostrowsky            |          |
| 4,805,790 A     | 2/1989    | Leonetti et al.      |          |
| 4,932,225 A     | * 6/1990  | Bighouse .....       | 62/457.4 |
| 5,064,911 A     | 11/1991   | Rohr et al.          |          |
| 5,065,877 A     | 11/1991   | Karppinen et al.     |          |
| 5,088,614 A     | 2/1992    | Dumestre             |          |
| D330,862 S      | 11/1992   | Shibley et al.       |          |
| 5,228,584 A     | 7/1993    | Williams, Jr.        |          |
| D342,898 S      | 1/1994    | Baschmackoff         |          |
| 5,289,930 A     | 3/1994    | Inouye               |          |
| D350,460 S      | * 9/1994  | Picozza et al. ....  | D7/629   |
| 5,386,922 A     | 2/1995    | Jordan               |          |
| D356,499 S      | 3/1995    | Cautereels et al.    |          |
| 5,547,111 A     | 8/1996    | Geiger et al.        |          |
| 5,609,277 A     | 3/1997    | McDonald             |          |
| D382,968 S      | 8/1997    | Giles et al.         |          |
| D404,305 S      | 1/1999    | De Baschmakoff       |          |
| D405,654 S      | * 2/1999  | Moran .....          | D7/629   |
| D421,547 S      | 3/2000    | Demers               |          |
| 6,161,713 A     | 12/2000   | Krich                |          |
| 6,283,333 B1    | 9/2001    | Knickerbocker et al. |          |
| 6,299,005 B1    | 10/2001   | Higgins              |          |
| 6,379,032 B1    | 4/2002    | Sorensen             |          |
| D458,081 S      | 6/2002    | Bodum                |          |
| D461,420 S      | 8/2002    | Kerman               |          |
| D497,431 S      | 10/2004   | Bentley              |          |
| 6,832,412 B2    | 12/2004   | Kim                  |          |
| 6,860,397 B1    | 3/2005    | Walters, Jr.         |          |
| D504,273 S      | 4/2005    | Ancona               |          |
| D508,185 S      | 8/2005    | Gauss                |          |
| D510,235 S      | 10/2005   | Sorensen             |          |
| D518,336 S      | * 4/2006  | Hirani .....         | D7/629   |
| 7,073,678 B1    | 7/2006    | Dibdin et al.        |          |
| D526,827 S      | * 8/2006  | Allen et al. ....    | D7/306   |
| D528,862 S      | 9/2006    | Li                   |          |
| D529,339 S      | 10/2006   | Carreno et al.       |          |
| D532,650 S      | 11/2006   | de Groote            |          |
| D543,454 S      | 5/2007    | Leoncavallo et al.   |          |
| D546,131 S      | * 7/2007  | Morales .....        | D7/608   |
| D547,607 S      | 7/2007    | Forsman              |          |
| D565,353 S      | 4/2008    | Roth et al.          |          |
| D574,190 S      | 8/2008    | Homma                |          |
| D580,227 S      | 11/2008   | Roth et al.          |          |
| D586,184 S      | 2/2009    | Miller et al.        |          |
| D587,069 S      | 2/2009    | Bodum                |          |
| D589,751 S      | 4/2009    | Liu et al.           |          |
| D592,913 S      | 5/2009    | Pinelli et al.       |          |
| 7,533,783 B2    | 5/2009    | Choi et al.          |          |
| D593,811 S      | * 6/2009  | Carreno .....        | D7/629   |
| D599,664 S      | 9/2009    | Fujinami et al.      |          |
| D604,103 S      | 11/2009   | Alviar et al.        |          |
| D609,970 S      | 2/2010    | Richau et al.        |          |
| D613,110 S      | 4/2010    | Lane et al.          |          |
| D622,089 S      | * 8/2010  | Daniel et al. ....   | D7/313   |
| D622,554 S      | * 8/2010  | Carreno .....        | D7/629   |
| 7,806,284 B2    | 10/2010   | Mangano              |          |
| D626,837 S      | 11/2010   | Meyers et al.        |          |
| D626,838 S      | 11/2010   | Meyers et al.        |          |
| D628,483 S      | 12/2010   | McKinney et al.      |          |
| D629,657 S      | * 12/2010 | Carreno .....        | D7/629   |
| 7,870,980 B2    | 1/2011    | Wilson et al.        |          |
| D641,594 S      | * 7/2011  | Huang .....          | D7/629   |
| D644,065 S      | 8/2011    | Llerena              |          |
| 8,020,257 B2    | 9/2011    | Merten et al.        |          |
| D646,546 S      | 10/2011   | Robinson et al.      |          |
| D646,919 S      | 10/2011   | Nilsson              |          |
| D647,760 S      | 11/2011   | Pearson              |          |
| D652,256 S      | 1/2012    | Eyal                 |          |
| D655,131 S      | 3/2012    | Nilsson              |          |
| D655,967 S      | 3/2012    | Bodum                |          |
| D656,357 S      | 3/2012    | Enghard              |          |
| D661,551 S      | 6/2012    | Gilbert              |          |
| D666,047 S      | 8/2012    | Lin                  |          |
| D666,061 S      | * 8/2012  | Ying .....           | D7/629   |
| D667,694 S      | 9/2012    | Meyers et al.        |          |
| 8,302,796 B1    | 11/2012   | Johnson              |          |
| 8,342,349 B2    | 1/2013    | Lu                   |          |
| D677,121 S      | 3/2013    | Meyers et al.        |          |
| D686,885 S      | 7/2013    | Meyers et al.        |          |
| D686,886 S      | 7/2013    | Meyers et al.        |          |
| D686,887 S      | 7/2013    | Meyers et al.        |          |
| D686,888 S      | 7/2013    | Meyers et al.        |          |
| 2002/0074334 A1 | 6/2002    | Karp                 |          |
| 2003/0085228 A1 | 5/2003    | Oakes                |          |
| 2004/0217139 A1 | 11/2004   | Roth et al.          |          |
| 2004/0262306 A1 | 12/2004   | Smith                |          |
| 2005/0045634 A1 | 3/2005    | Ward et al.          |          |
| 2005/0045636 A1 | 3/2005    | Lown et al.          |          |
| 2007/0012693 A1 | 1/2007    | Kummer               |          |
| 2007/0175931 A1 | 8/2007    | Leoncavallo et al.   |          |
| 2008/0099514 A1 | 5/2008    | Carter et al.        |          |
| 2009/0178940 A1 | 7/2009    | Said                 |          |
| 2009/0188884 A1 | 7/2009    | Nelson et al.        |          |
| 2009/0188933 A1 | 7/2009    | Daams                |          |
| 2009/0301990 A1 | 12/2009   | Cresswell et al.     |          |
| 2010/0200438 A1 | 8/2010    | Davies               |          |
| 2010/0206835 A1 | 8/2010    | Yu                   |          |
| 2010/0224631 A1 | 9/2010    | Roth et al.          |          |
| 2010/0282703 A1 | 11/2010   | Yang                 |          |
| 2011/0017760 A1 | 1/2011    | Newman               |          |
| 2011/0253733 A1 | 10/2011   | Meyers et al.        |          |

## OTHER PUBLICATIONS

- U.S. Appl. No. 13/232,891, filed Sep. 14, 2011, Meyers, et al.
- U.S. Appl. No. 13/232,935, filed Sep. 14, 2011, Meyers, et al.
- U.S. Appl. No. 29/431,544, filed Sep. 7, 2012, Meyers, et al.
- U.S. Appl. No. 13/609,238, filed Sep. 10, 2012, Meyers, et al.
- U.S. Appl. No. 13/610,445, filed Sep. 11, 2012, Meyers, et al.
- U.S. Appl. No. 13/633,864, filed Oct. 2, 2012, Meyers, et al.
- U.S. Appl. No. 29/457,097, filed Jun. 6, 2013, Sorensen, et al.
- U.S. Appl. No. 29/457,096, Jun. 6, 2013, Sorensen, et al.
- U.S. Appl. No. 61/832,085, filed Jun. 6, 2013, Sorensen, et al.
- Kor One, <http://www.korwater.com/buyONE>, accessed Apr. 21, 2010.
- Core 77, <http://www.core77.com/blog/materials/kor.sub.--one.sub.--water.sub.--vessel.sub.--actual.sub.--size.sub.--10211.asp>, accessed Apr. 21, 2010.
- Koyono, <http://www.koyono.com/KOR-ONE-Green-Zen-Water-Hydration-Vessel.sub.--p/kor-one.htm>, accessed Apr. 21, 2010.
- Fit Sugar, [www.fitsugar.com/2496788](http://www.fitsugar.com/2496788), accessed Apr. 21, 2010.
- Thermos, <http://www.shophermos.com/detail/TMS+HP4000GR6>, accessed Apr. 21, 2010.
- Goodlifter, <http://www.goodlifter.com/2009/02/360-paper-water-bottle/>, accessed Apr. 21, 2010.
- Advisory Action from U.S. Appl. No. 12/762,292 dated May 24, 2013.
- Office Action from U.S. Appl. No. 12/762,292 dated Jul. 1, 2013.
- Office Action from U.S. Appl. No. 12/762,292 dated Oct. 2, 2012.
- Office Action from U.S. Appl. No. 12/762,292 dated Jul. 17, 2012.
- Office Action from U.S. Appl. No. 12/762,292 dated Feb. 10, 2012.
- Notice of Allowance from U.S. Appl. No. 29/431,544 dated Aug. 14, 2013.
- Office Action from U.S. Appl. No. 29/431,544 dated Mar. 25, 2013.
- Office Action from U.S. Appl. No. 13/610,445 dated Mar. 29, 2013.
- Office Action from U.S. Appl. No. 13/633,864 dated Mar. 29, 2013.
- Office Action from U.S. Appl. No. 13/232,891 dated Jul. 19, 2013.
- Office Action from U.S. Appl. No. 13/609,238 dated May 30, 2013.
- International Search Report from PCT Application No. PCT/US2011/026508 dated Sep. 29, 2011.

(56)

**References Cited**

OTHER PUBLICATIONS

Written Opinion from PCT Application No. PCT/US2011/026508 dated Sep. 29, 2011.

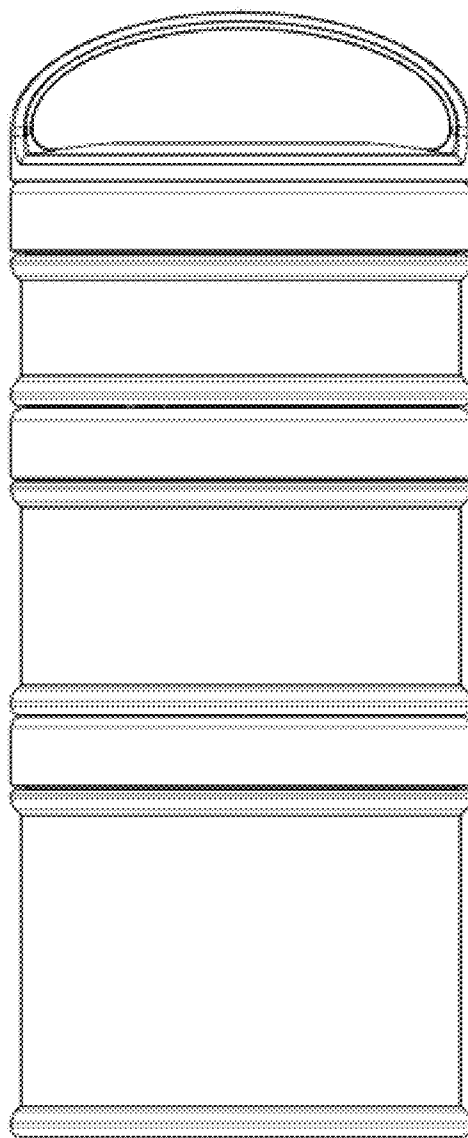
International Preliminary Report on Patentability from PCT Application No. PCT/US2011/026508 dated Oct. 16, 2012.

International Search Report from PCT Application No. PCT/US2012/054483 dated Nov. 16, 2012.

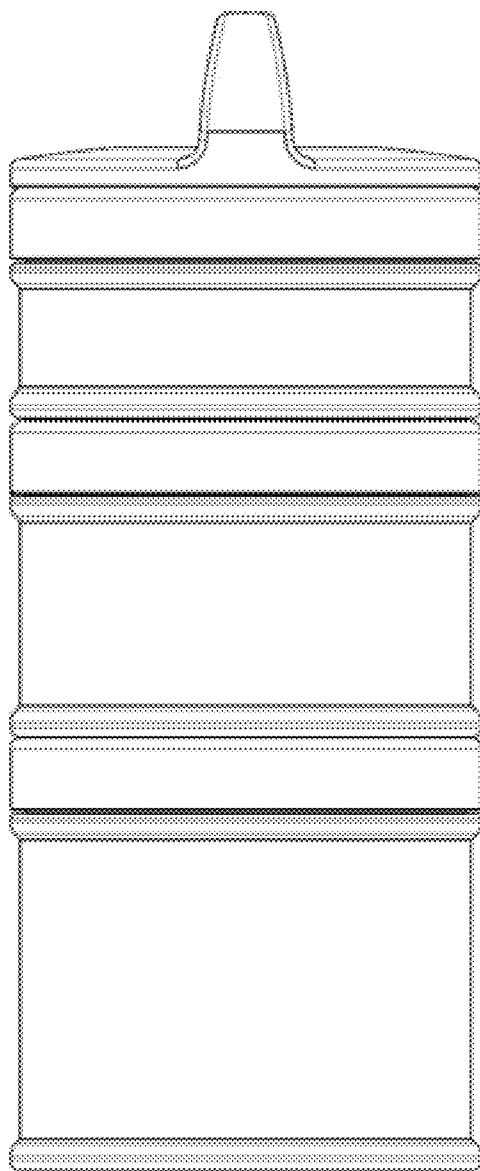
International Search Report and Written Opinion from PCT Application No. PCT/US2012/054497 dated Nov. 20, 2012.

International Search Report and Written Opinion from PCT Application No. PCT/US2013/052132 dated Aug. 16, 2013.

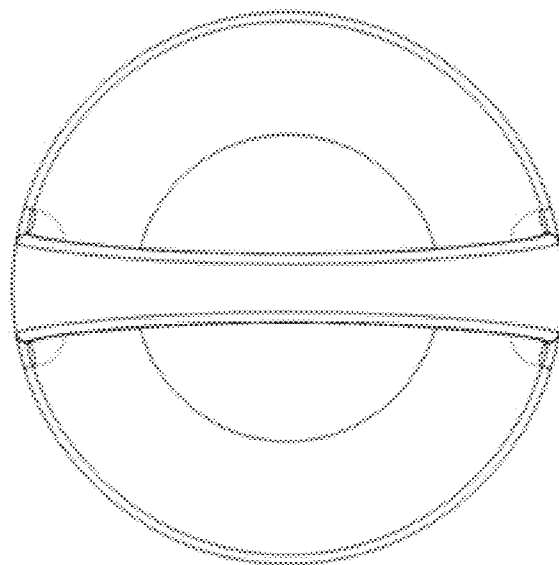
\* cited by examiner



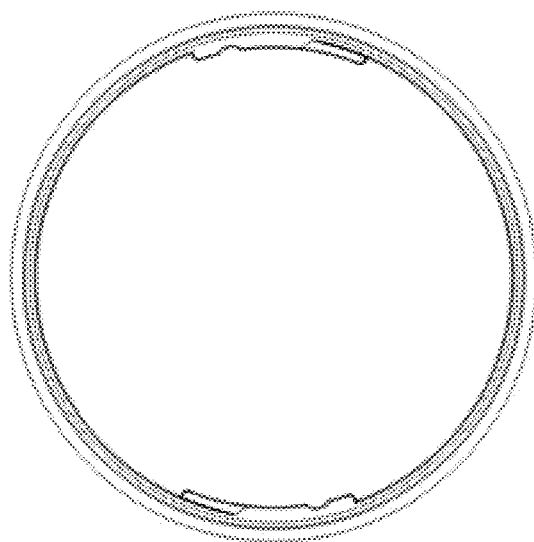
*Fig. 1*



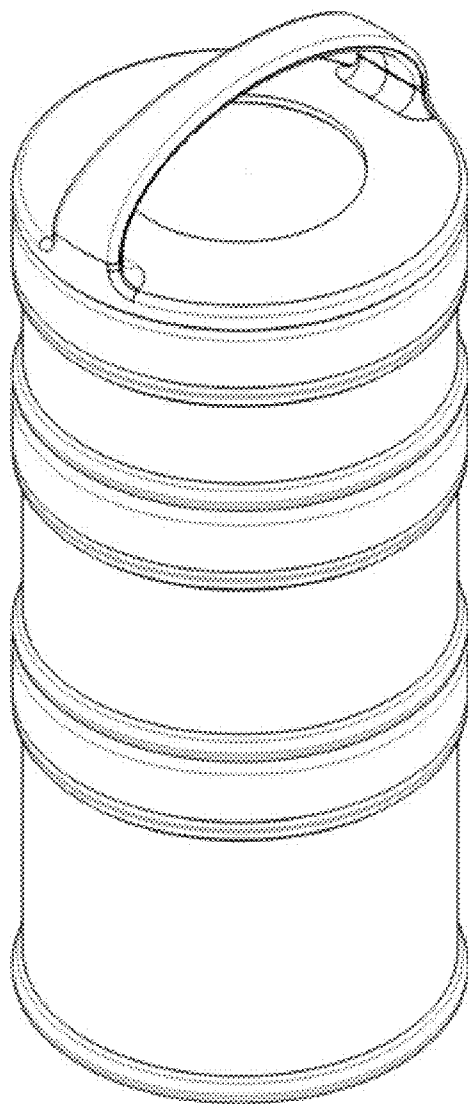
*Fig. 2*



**Fig. 3**



*Fig. 4*



*Fig. 5*