



US00D626837S

(12) **United States Design Patent**
Meyers et al.

(10) **Patent No.:** **US D626,837 S**

(45) **Date of Patent:** **** Nov. 9, 2010**

(54) **BOTTLE CLOSURE WITH FLIP TOP**

(75) Inventors: **David O. Meyers**, Kaysville, UT (US);
Steven M. Sorensen, Alpine, UT (US)

(73) Assignee: **Runway Blue, LLC**, Alpine, UT (US)

(**) Term: **14 Years**

(21) Appl. No.: **29/359,956**

(22) Filed: **Apr. 16, 2010**

(51) **LOC (9) Cl.** **09-07**

(52) **U.S. Cl.** **D9/443**

(58) **Field of Classification Search** D9/761,
D9/759, 756, 708, 709, 702, 456, 455, 454,
D9/453, 445, 443, 436, 435, 434, 439; 53/412;
248/146; 229/120; 222/109; 220/4.23;
219/439; 215/305; 206/392.6, 392.1, 692;
D7/304, 295, 392.1, 396.2, 608

See application file for complete search history.

(56) **References Cited**

U.S. PATENT DOCUMENTS

- 2,272,867 A 2/1942 Cobel
- 2,573,378 A 10/1951 Zurlinden
- 3,022,925 A 2/1962 Daniell
- 3,168,226 A 2/1965 Underwood
- 4,805,790 A 2/1989 Leonetti et al.
- 5,065,877 A 11/1991 Karppinen et al.
- 5,289,930 A 3/1994 Inouye
- D356,499 S 3/1995 Cautereels et al.
- D404,305 S 1/1999 De Baschmakoff
- 6,860,397 B1 3/2005 Walters, Jr.
- D504,273 S 4/2005 Ancona
- D528,862 S 9/2006 Li
- D529,339 S 10/2006 Carreno et al.
- D543,454 S 5/2007 Leoncavallo et al.
- D547,607 S 7/2007 Forsman
- D565,353 S 4/2008 Roth et al.
- D580,227 S 11/2008 Roth et al.
- D586,184 S * 2/2009 Miller et al. D7/608
- D592,913 S * 5/2009 Pinelli et al. D7/608
- 7,533,783 B2 * 5/2009 Choi et al. 220/714

- D599,664 S * 9/2009 Fujinami et al. D9/443
- D613,110 S * 4/2010 Lane et al. D7/392.1
- 2007/0175931 A1 8/2007 Leoncavallo et al.

FOREIGN PATENT DOCUMENTS

CN 201139196 10/2008

OTHER PUBLICATIONS

Kor One, <http://www.korwater.com/buyONE>, accessed Apr. 21, 2010.

(Continued)

Primary Examiner—Susan Bennett Hattan
(74) *Attorney, Agent, or Firm*—Kirton & McConkie; Michael F. Krieger; Adam D. Stevens

(57) **CLAIM**

The ornamental design for a bottle closure with flip top, as shown.

DESCRIPTION

FIG. 1 is a perspective view of a bottle closure with flip top incorporating the design of the invention, shown in a closed position;

FIG. 2 is a right-side view thereof;

FIG. 3 is a front view thereof;

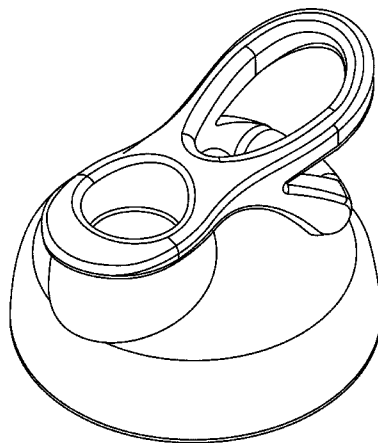
FIG. 4 is a left-side view thereof;

FIG. 5 is a back view thereof; and,

FIG. 6 is a top view thereof.

A bottle closure for closing a bottle and allowing access to the contents thereof using a flip top.

1 Claim, 6 Drawing Sheets



OTHER PUBLICATIONS

Core 77, http://www.core77.com/blog/materials/kor_one_water_vessel_actual_size_10211.asp, accessed Apr. 21, 2010.

Koyono, http://www.koyono.com/KOR-ONE-Green-Zen-Water-Hydration-Vessel_p/kor-one.htm, accessed Apr. 21, 2010.

Fit Sugar, www.fitsugar.com/2496788, accessed Apr. 21, 2010.

Thermos, <http://www.shopthermos.com/detail/TMS+HP4000GR6>, accessed Apr. 21, 2010.

Goodlifer, <http://www.goodlifer.com/2009/02/360-paper-water-bottle/>, accessed Apr. 21, 2010.

* cited by examiner

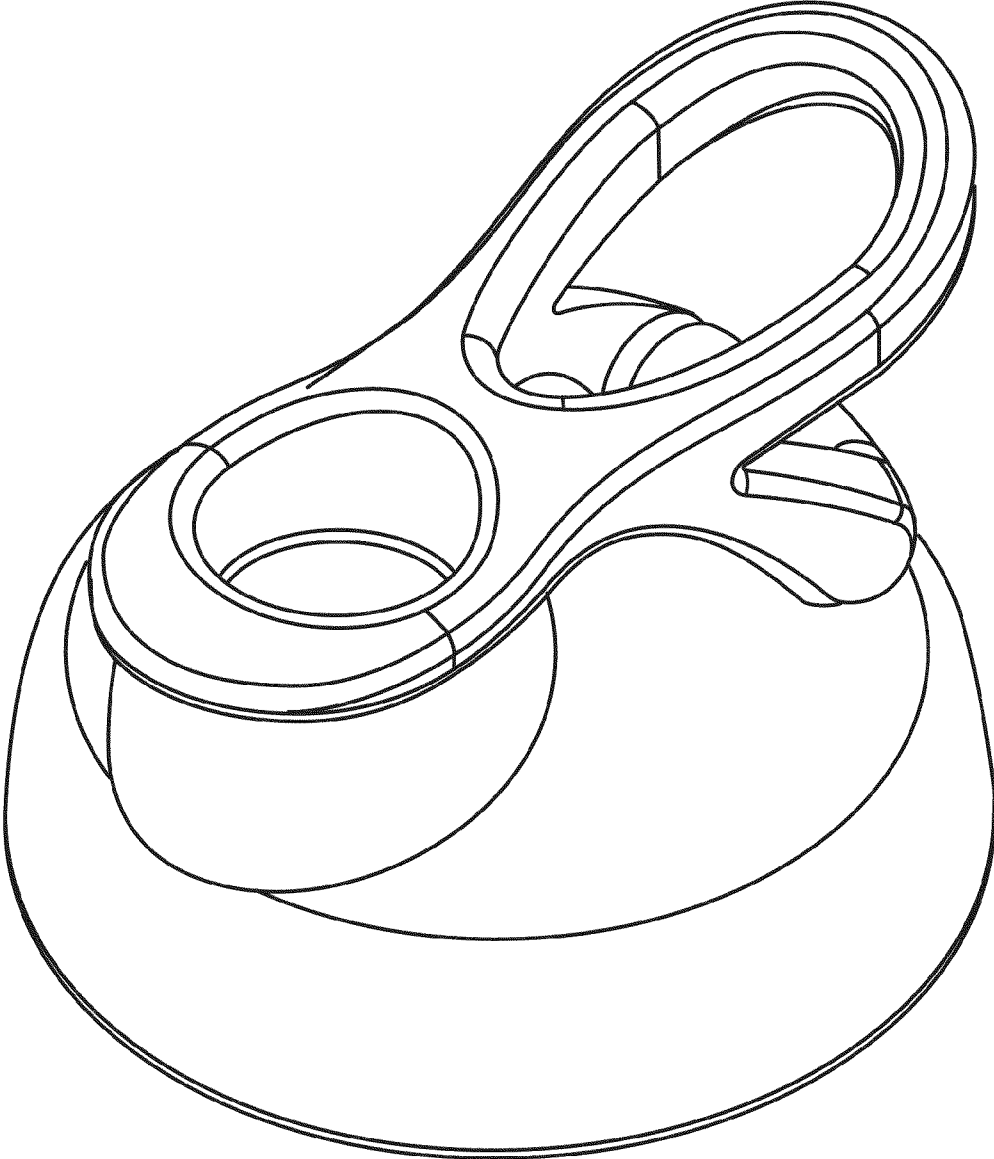


FIG. 1

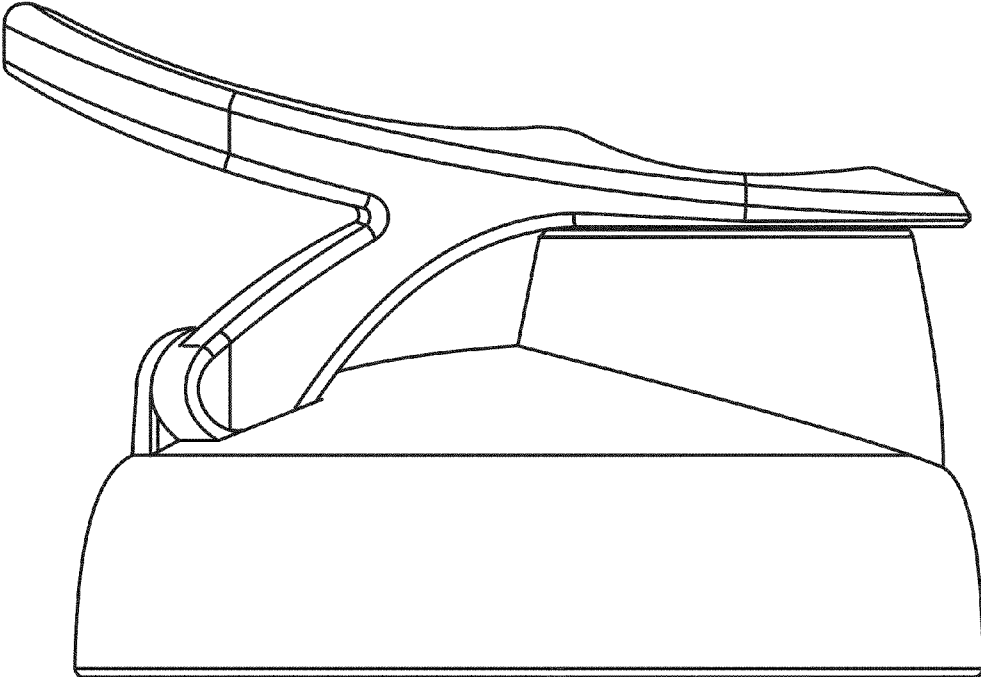


FIG. 2

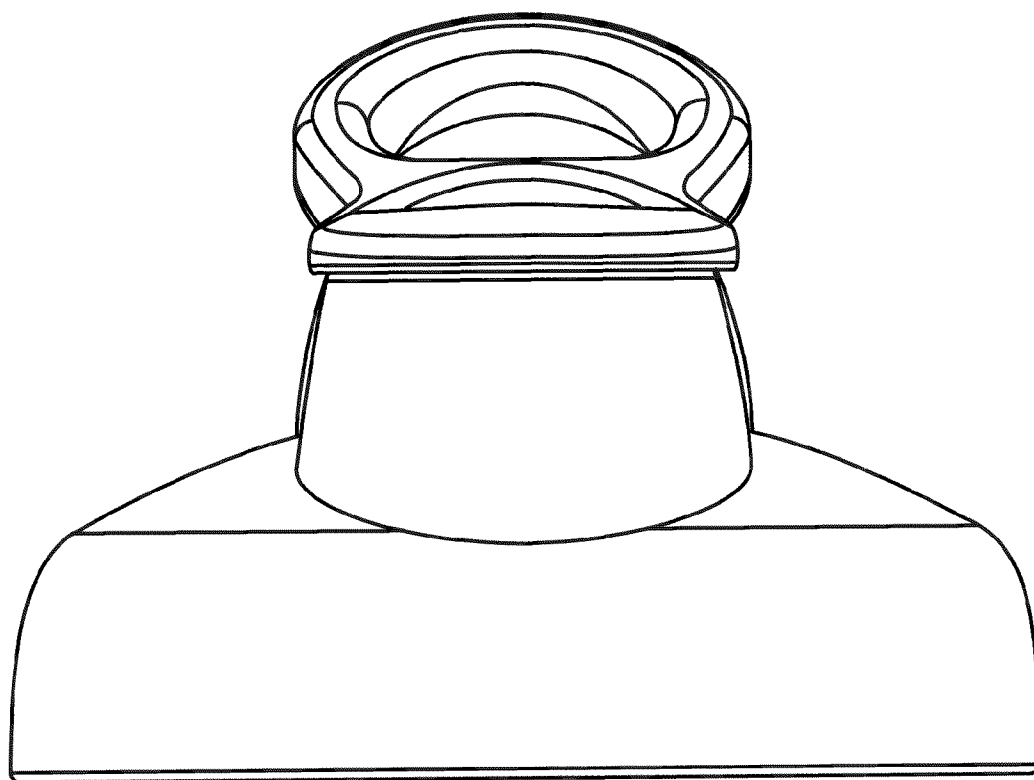


FIG. 3

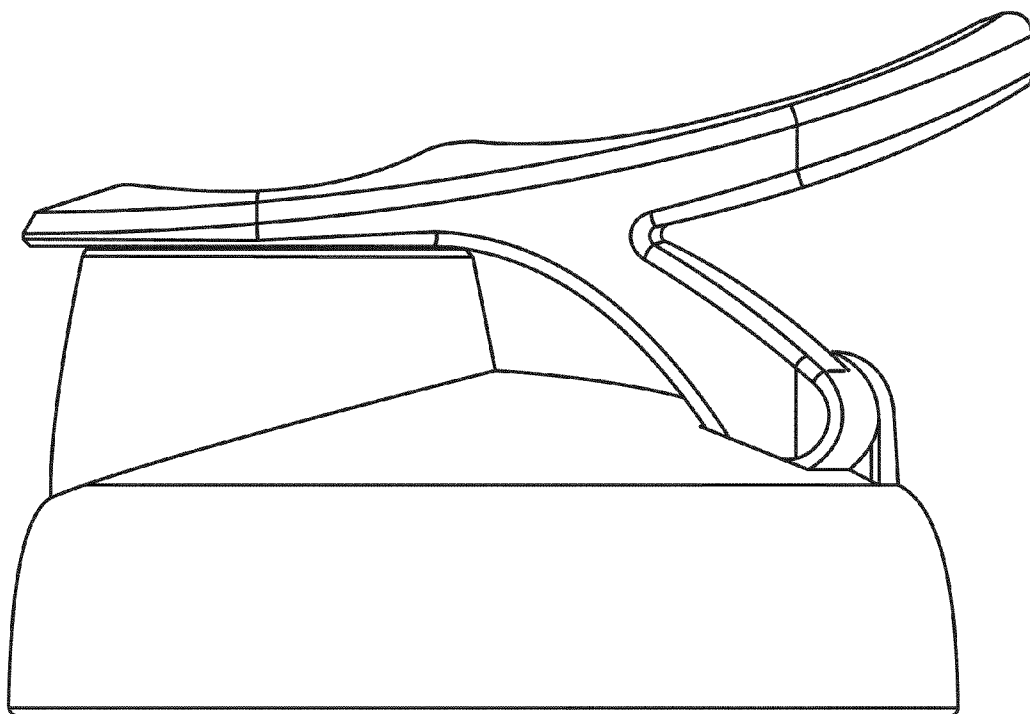


FIG. 4

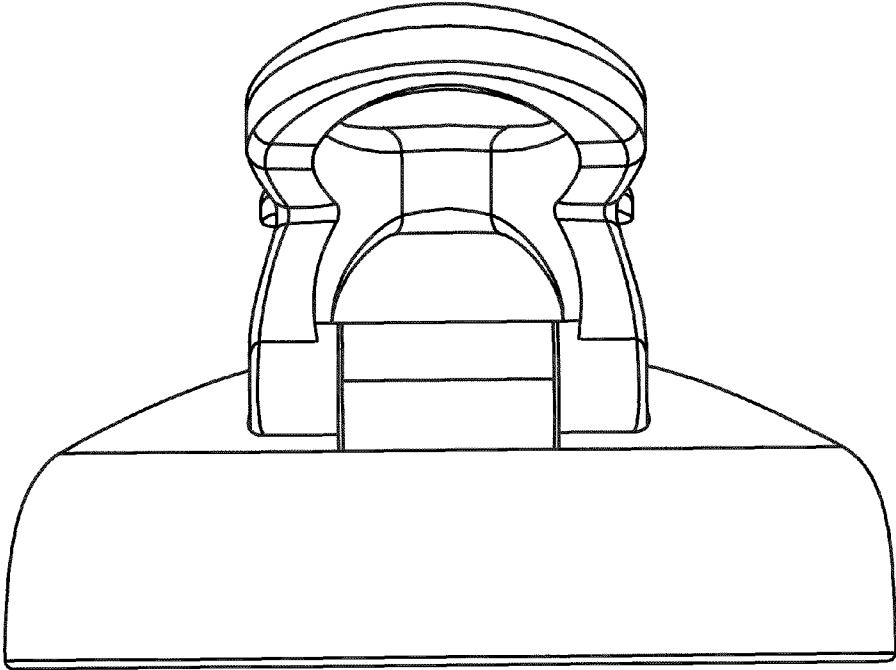


FIG. 5

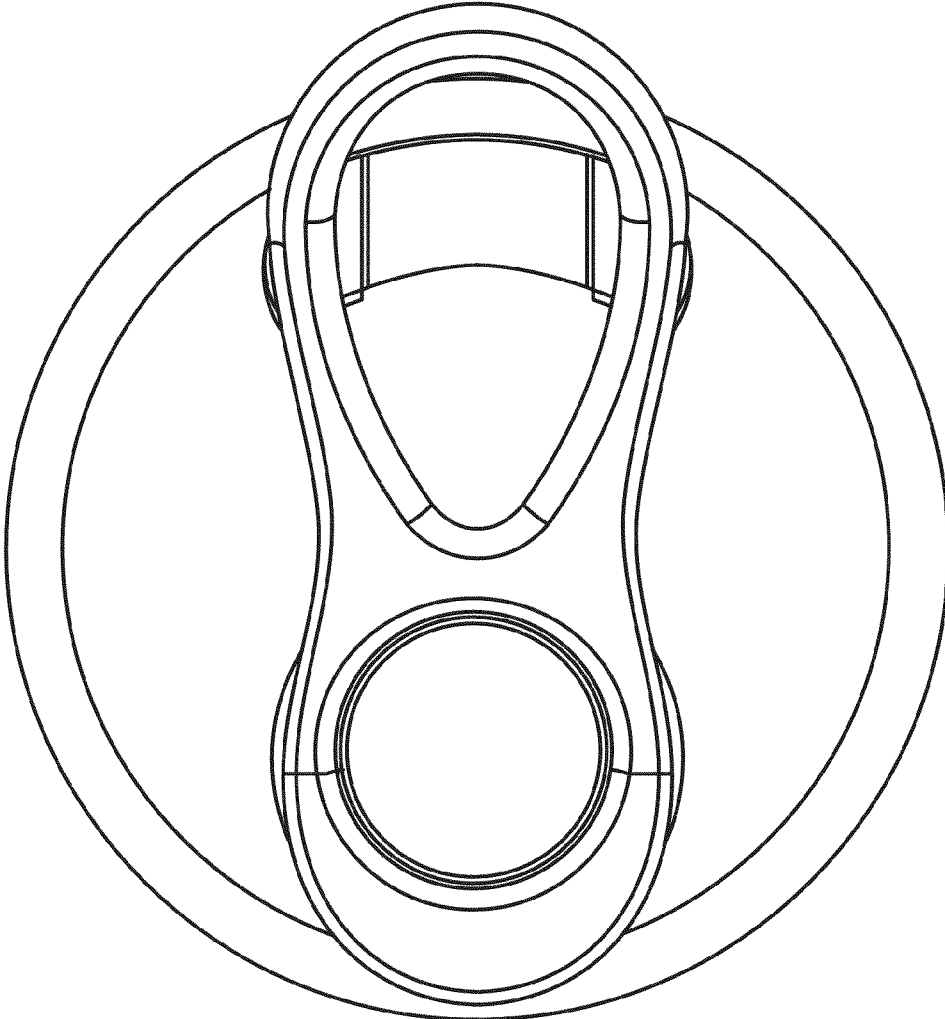


FIG. 6