



US00D510235S

(12) **United States Design Patent**
Sorensen

(10) **Patent No.:** **US D510,235 S**

(45) **Date of Patent:** **** Oct. 4, 2005**

(54) **BOTTLE**

(76) **Inventor:** **Steven M. Sorensen**, 1953 N. 690 E.,
Orem, UT (US) 84097

(**) **Term:** **14 Years**

(21) **Appl. No.:** **29/189,695**

(22) **Filed:** **Sep. 9, 2003**

(51) **LOC (8) Cl.** **07-01**

(52) **U.S. Cl.** **D7/510; D7/511; D7/900**

(58) **Field of Search** D7/300.1, 510,
D7/511, 392.1, 391, 396.2, 900; D10/46.2;
D24/197; D9/500, 547, 503, 504, 515,
523, 525, 530, 537, 449, 444, 556, 559,
502; 215/11.4, 11.1, 257, 6, 321; 220/709,
711, 703, 592.17, 592.16, 713, 568, 254.3,
792, 4.03, 670, 259.1

(56) **References Cited**

U.S. PATENT DOCUMENTS

- 2,752,971 A * 7/1956 Tupper 220/4.03
- 2,754,866 A * 7/1956 Coltman 220/254.3
- 3,820,692 A * 6/1974 Swett et al. 222/547

- D233,116 S * 10/1974 Swett et al. D7/300.1
- 5,088,614 A * 2/1992 Dumestre 220/713
- D330,862 S * 11/1992 Shibley et al. D10/46.2
- D382,968 S * 8/1997 Giles et al. D24/197
- D461,420 S * 8/2002 Kerman D10/46.2
- D497,431 S * 10/2004 Bentley D24/197

* cited by examiner

Primary Examiner—M. N. Pandozzi

(74) *Attorney, Agent, or Firm*—Kirton & McConkie;
Michael F. Krieger

(57) **CLAIM**

The ornamental design for a bottle, as shown and described.

DESCRIPTION

FIG. 1 is a perspective view of the bottle showing the present design;

FIG. 2 is a left sideview thereof;

FIG. 3 is a front view thereof;

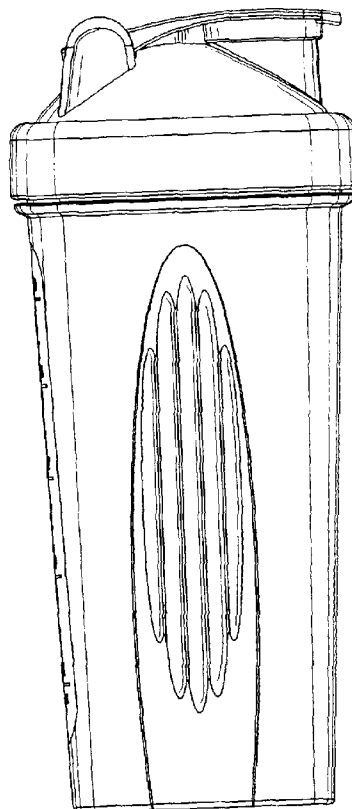
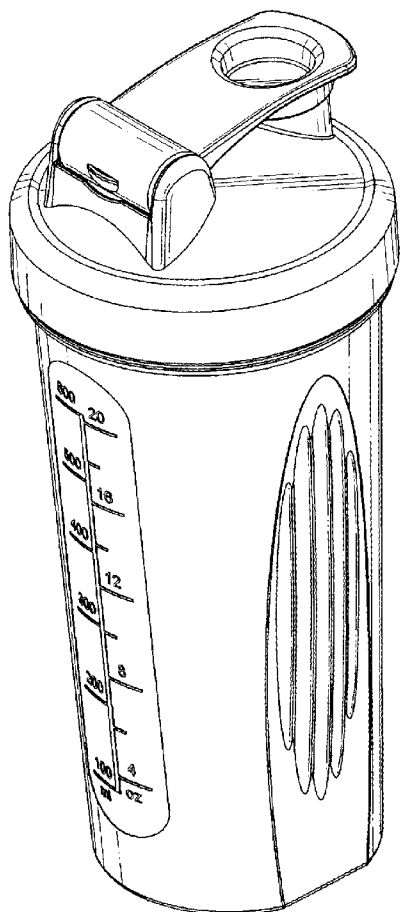
FIG. 4 is a rear view thereof;

FIG. 5 is a right side view thereof;

FIG. 6 is a top plan view thereof; and,

FIG. 7 is a bottom plan view thereof.

1 Claim, 4 Drawing Sheets



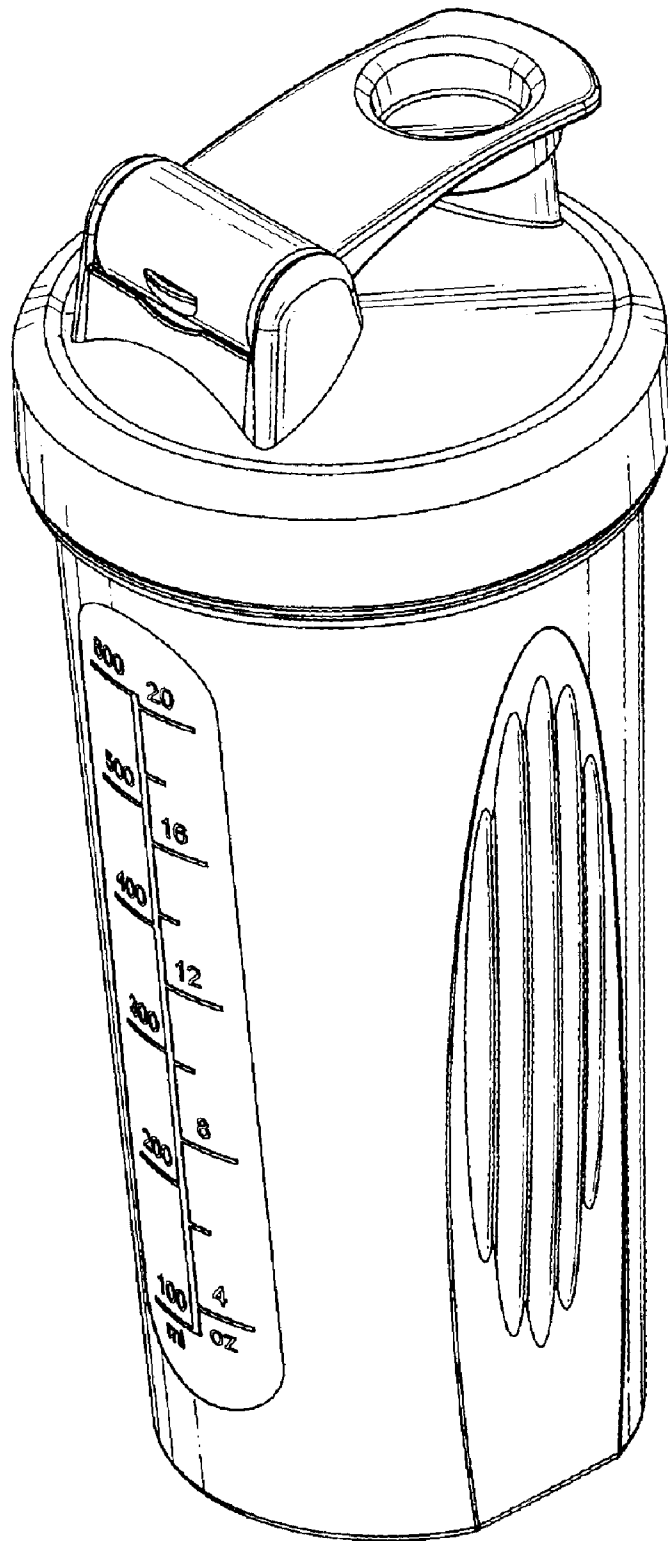


Fig. 1

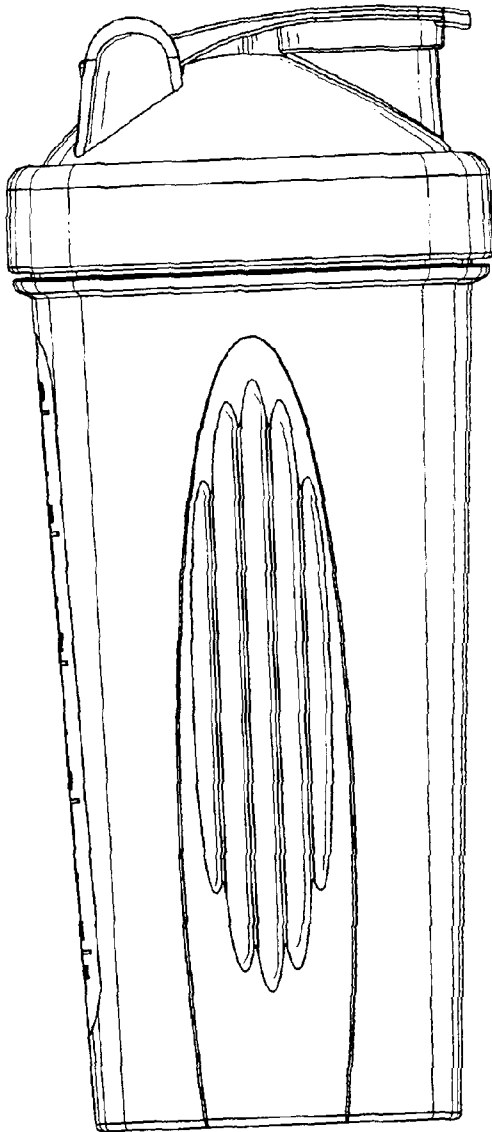


Fig. 2

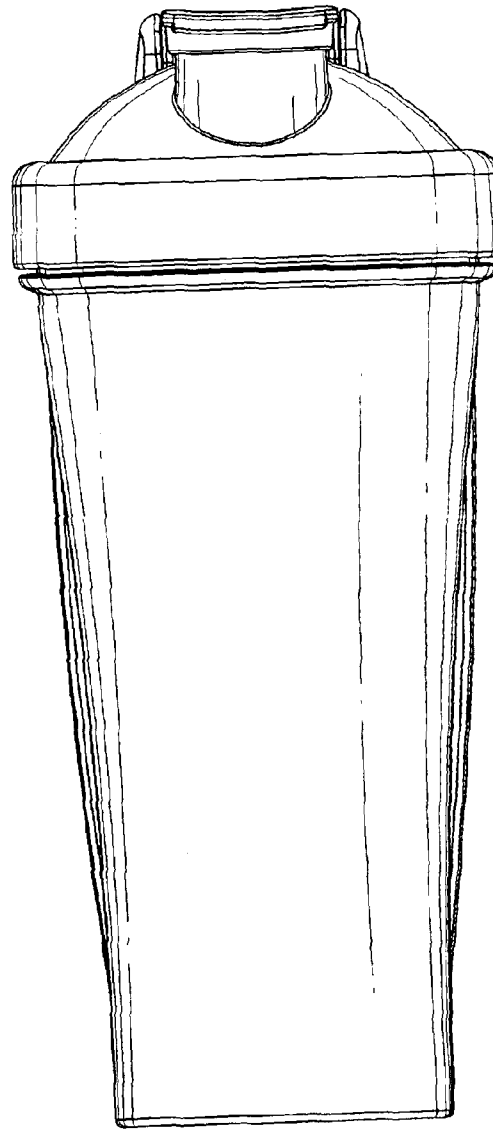


Fig. 3

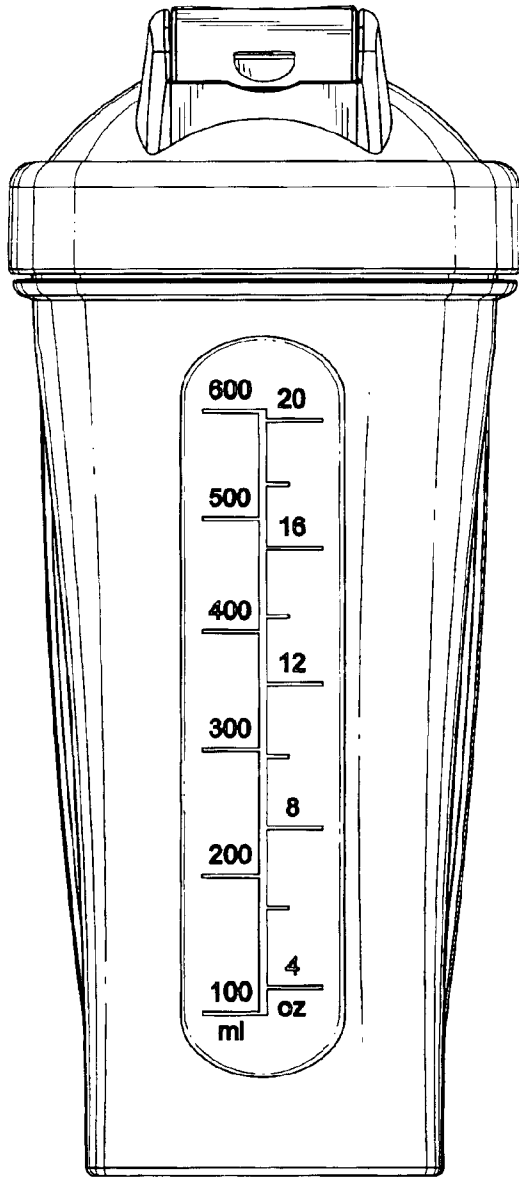


Fig. 4

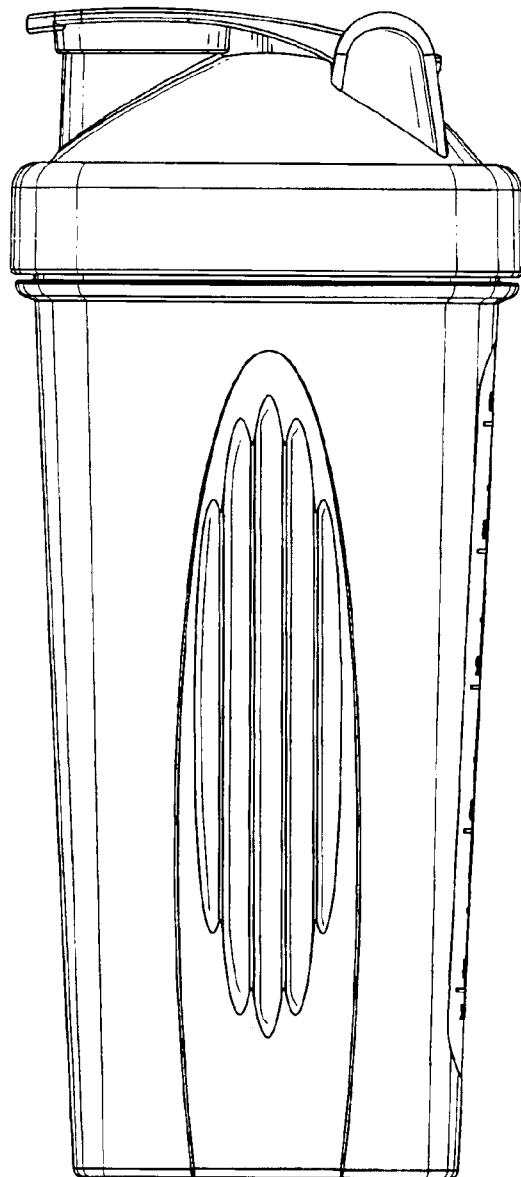


Fig. 5

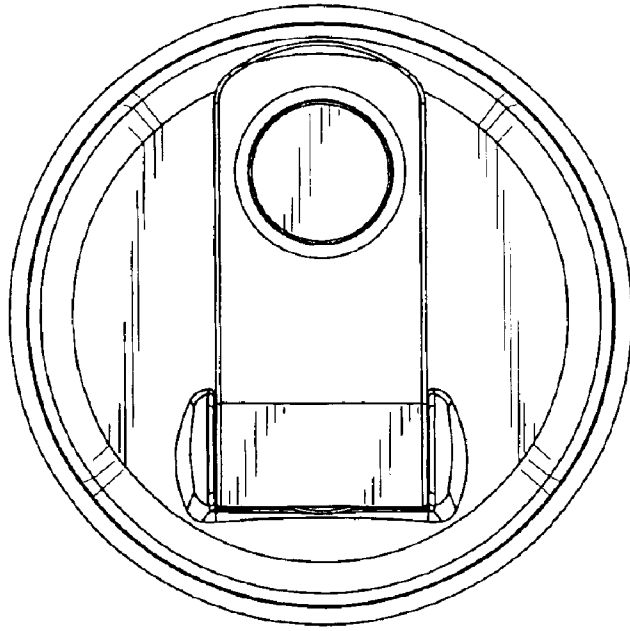


Fig. 6

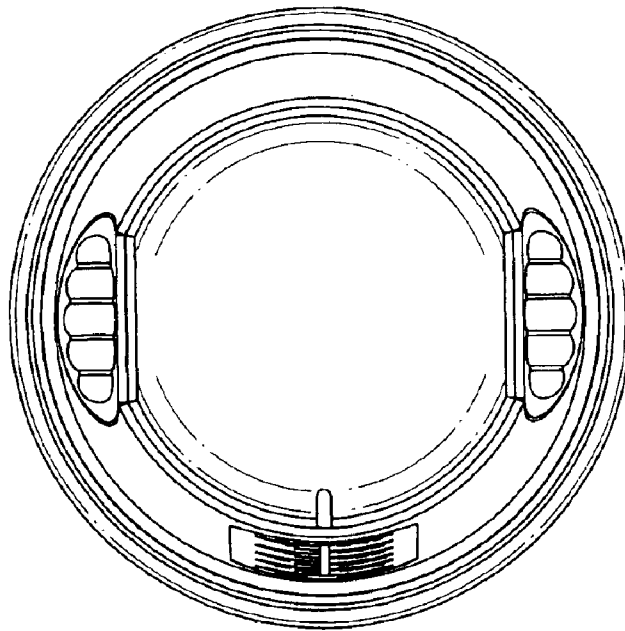


Fig. 7