

Details

Third-Party Information Liability Disclaimer

Some of the information on this Web page has been provided by external sources. The Government of Canada is not responsible for the accuracy, reliability or currency of the information supplied by external sources. Users wishing to rely upon this information should consult directly with the source of the information. Content provided by external sources is not subject to official languages, privacy and accessibility requirements.

Registration number : 159453

Date of Registration :

2014-12-01

Status :

Registered

Title: CONTAINER

Canadian Classification:

411-02-10-Circular Bowls/Trays - Geometrical Ornamented

311-Cylinder Container with Hole

072-06-Pressure, Volume, Light, Colour, Barometer, Hydrometer, Radioactivity, Electricity Measuring Apparatus and Devices

344-22-Four Sided Bottles - Two different elevations - Ornamented

Other Classes Searched:

N/A

Description:

The design consists of the features of shape, ornament, pattern and configuration of the CONTAINER shown by solid lines in the drawings. 8 pages of 8 Drawings of the design are enclosed. Drawings of the design are enclosed in which the broken lines are for illustrative purposes only and form no part of the design: FIGURE 1 is an upper perspective view of the design; FIGURE 2 is a lower perspective view of the design shown in FIG. 1; FIGURE 3 is a front view of the design shown in FIG. 1; FIGURE 4 is a rear view of the design shown in FIG. 1; FIGURE 5 is a left side view of the design shown in FIG. 1; FIGURE 6 is a right side view of the design shown in FIG. 1; FIGURE 7 is a top view of the design shown in FIG. 1; and FIGURE 8 is a bottom view of the design shown in FIG. 1.

Interested Parties

Applicant(s) as Filed:

RUNWAY BLUE, LLC

Registered Proprietor(s):

RUNWAY BLUE, LLC
250 SOUTH 850 EAST
LEHI, 84043
UTAH, UNITED STATES OF AMERICA

Current Owner(s):

RUNWAY BLUE, LLC
250 SOUTH 850 EAST
LEHI, 84043
UTAH, UNITED STATES OF AMERICA

Client Reference Number:

42881-0168e

Representative for Service:

CASSAN MACLEAN
307 GILMOUR STREET
OTTAWA, K2P 0P7
ONTARIO, CANADA

Agent:

CASSAN MACLEAN
307 GILMOUR STREET
OTTAWA, K2P 0P7
ONTARIO, CANADA

Term of Protection: 10 years, subject to payment of a maintenance fee.

Maintenance Fee Paid:

No

Filing Date:

2014-02-20

Correction(s):

No

Parent Registration: 155307

Divisional(s): 159453

Convention Priority Claim(s):

Convention priority claim(s) made in the parent application:

Country	Filing Date	Application No.
UNITED STATES OF AMERICA	2013-09-03	29/465,998

1/8

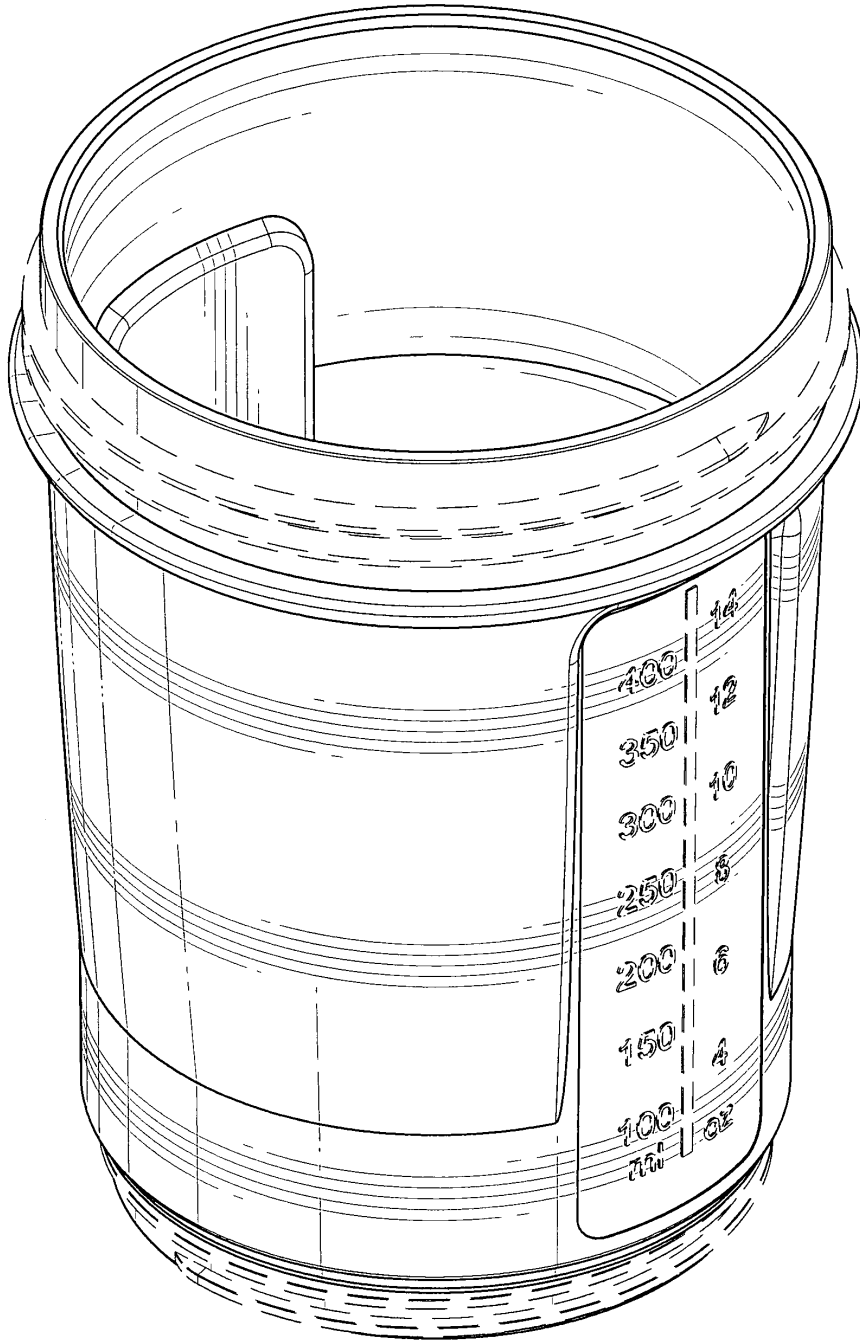


Fig. 1

2 / 8

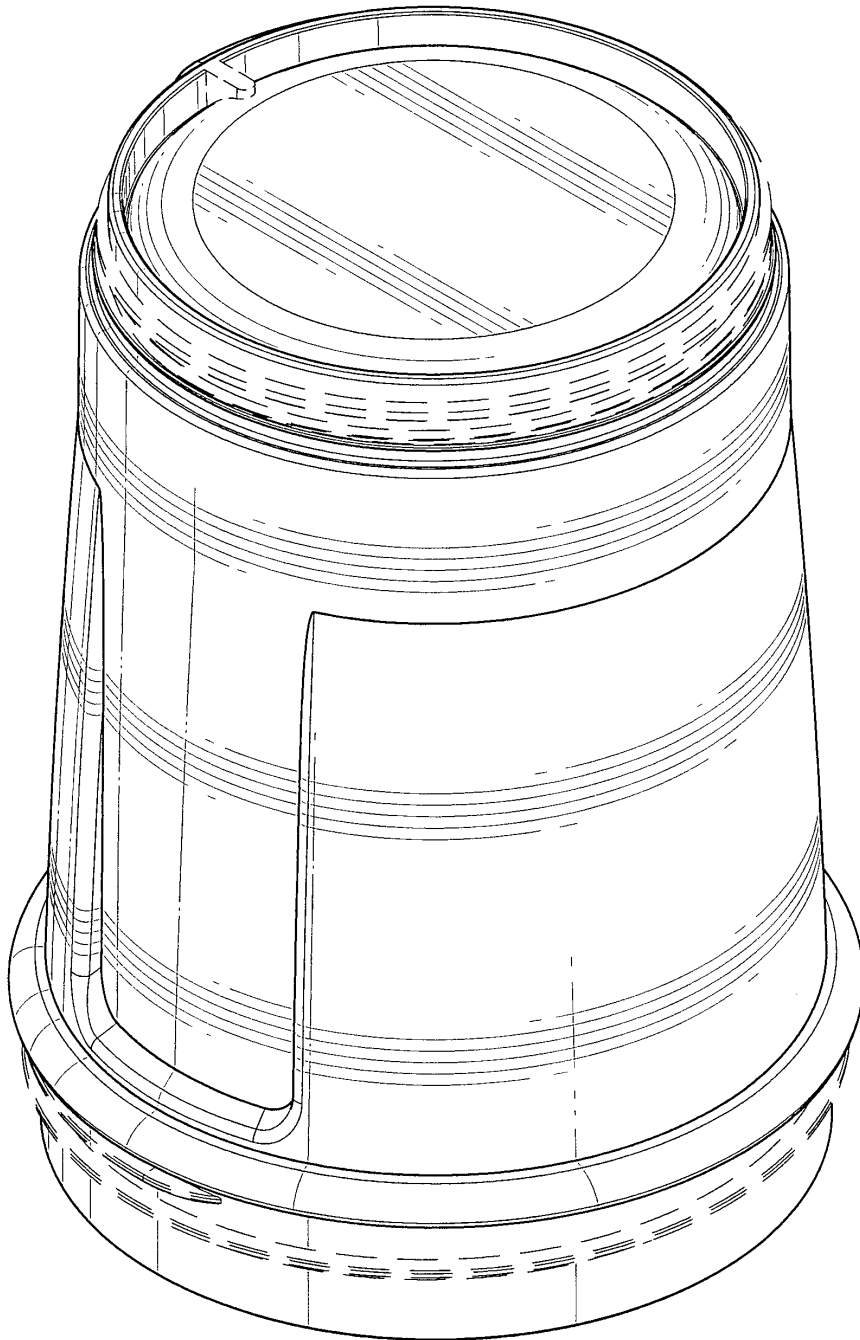


Fig. 2

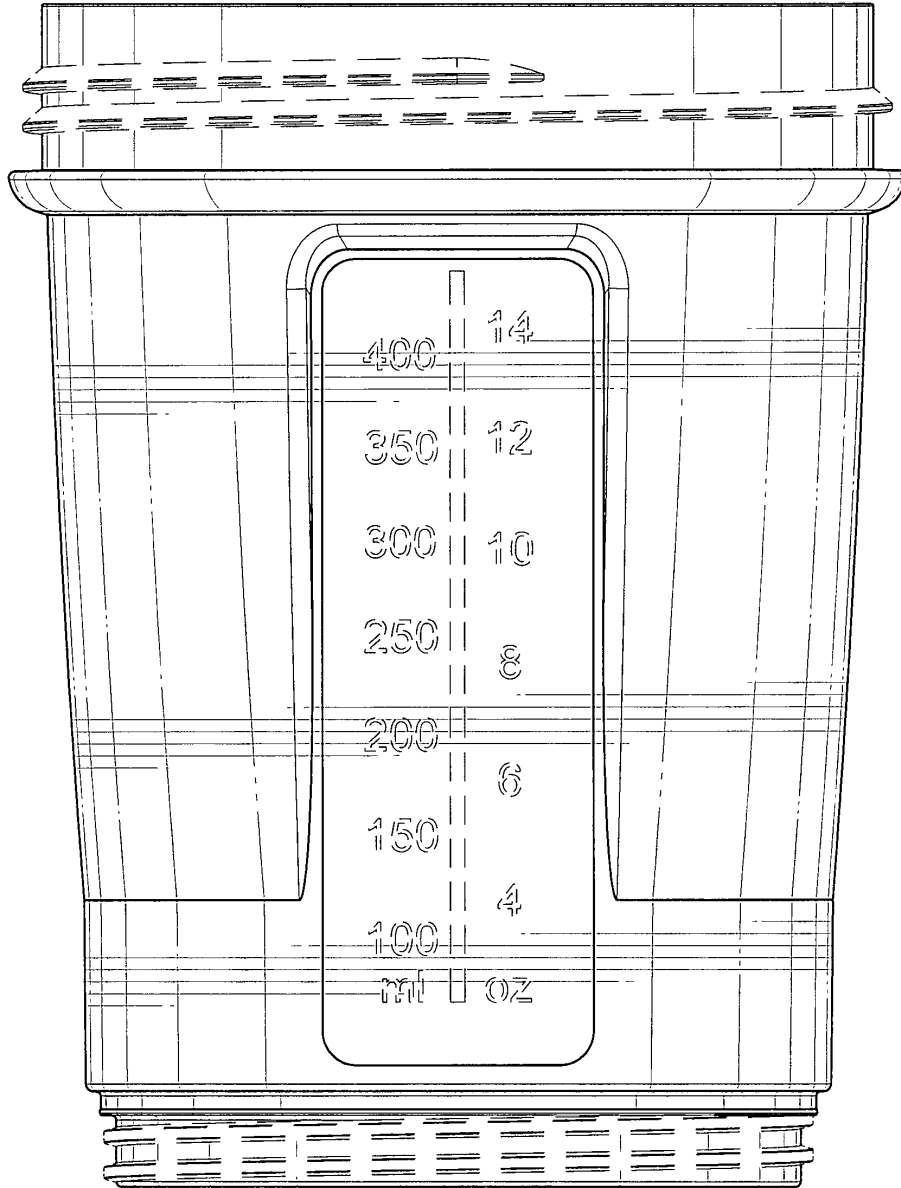


Fig. 3

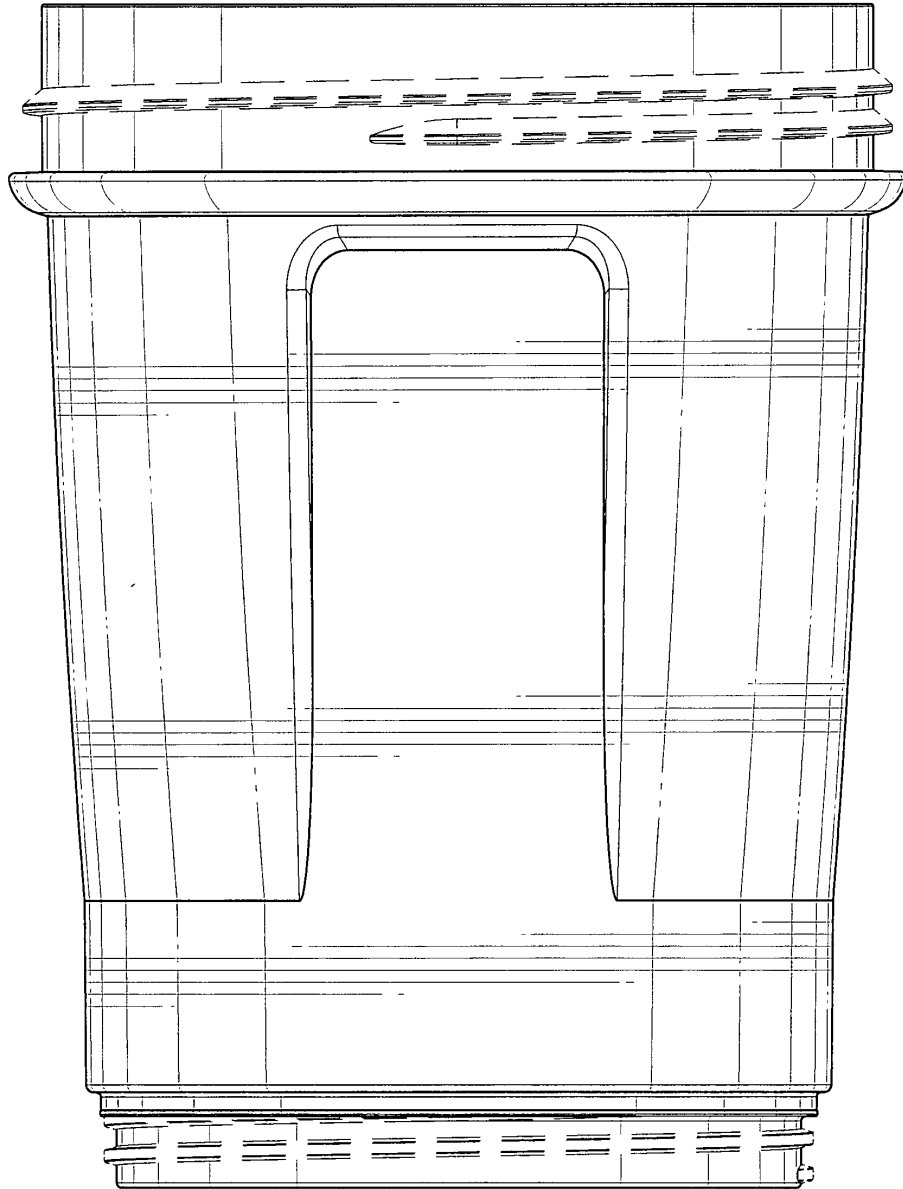


Fig. 4

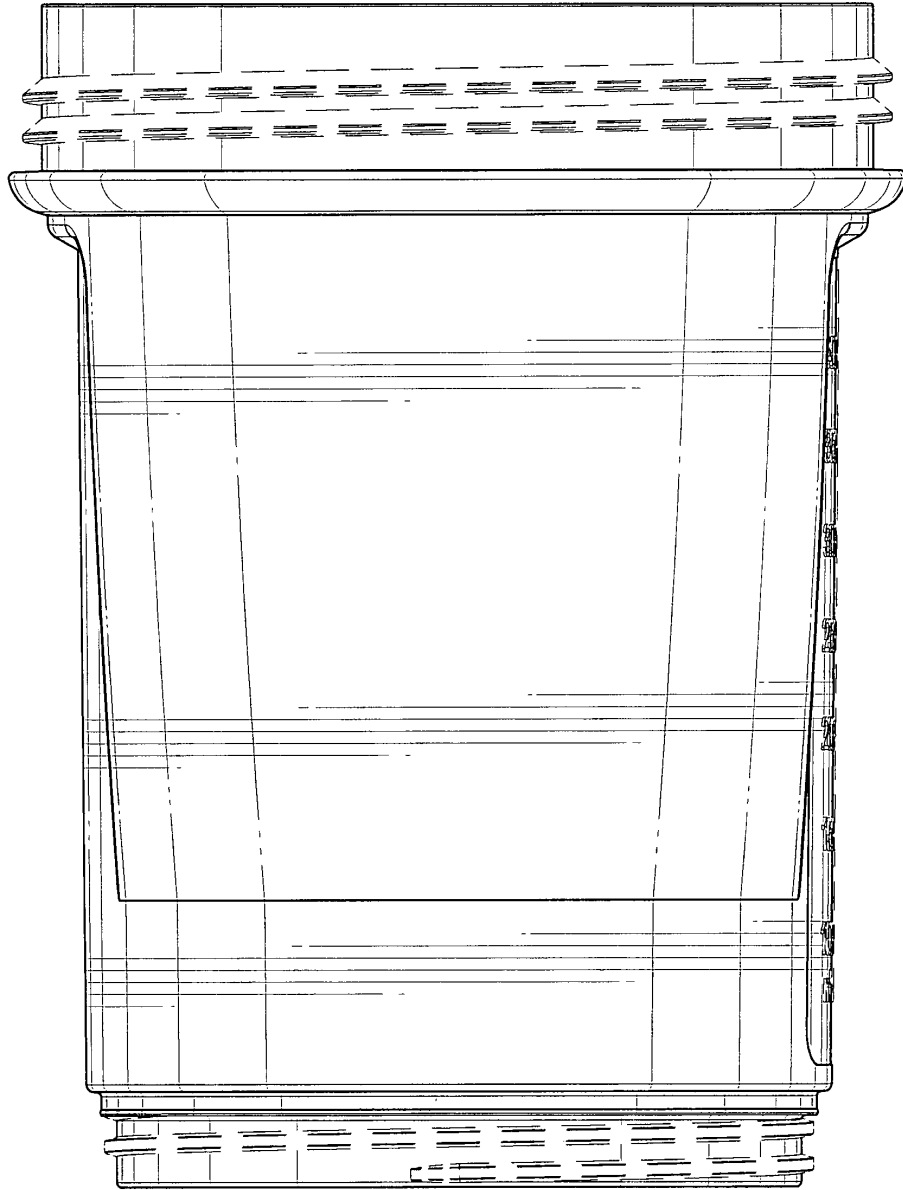


Fig. 5

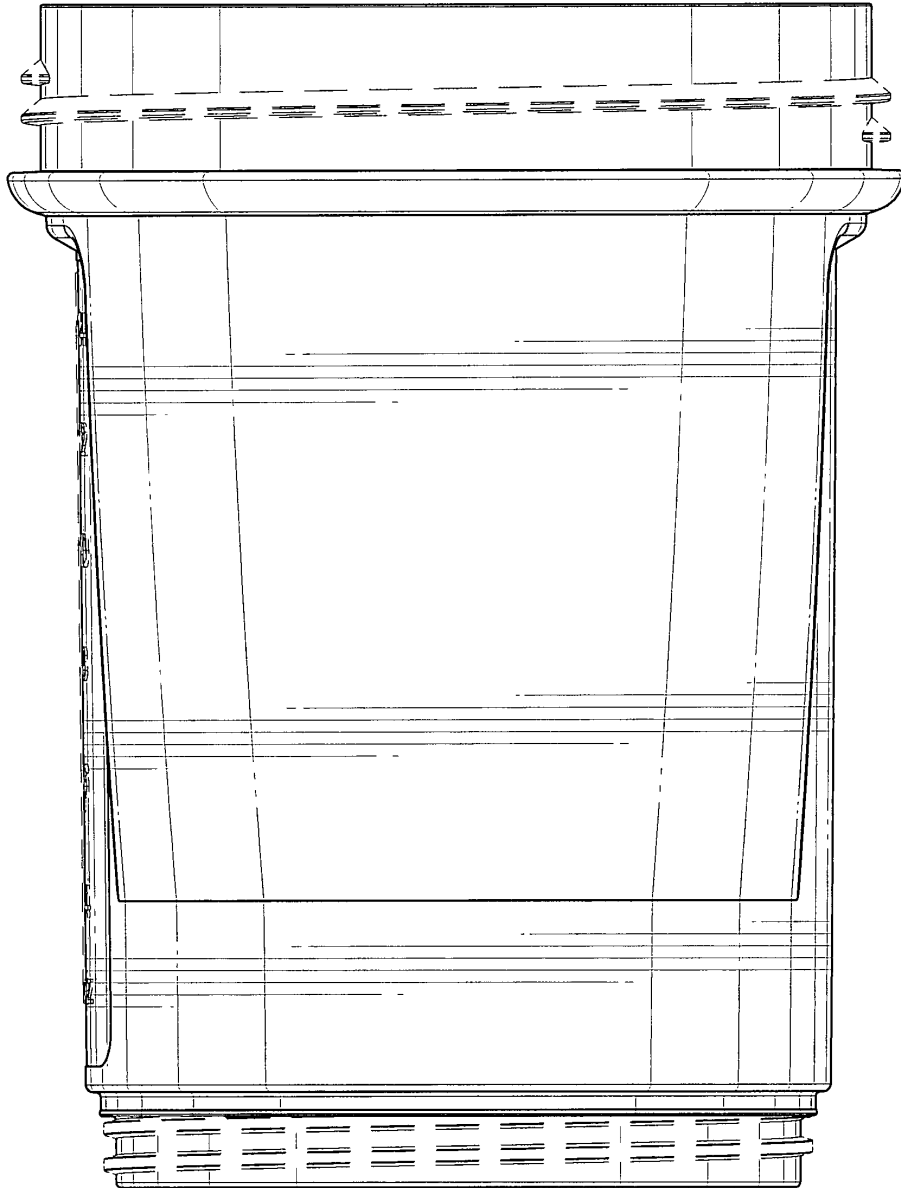


Fig. 6

7/8

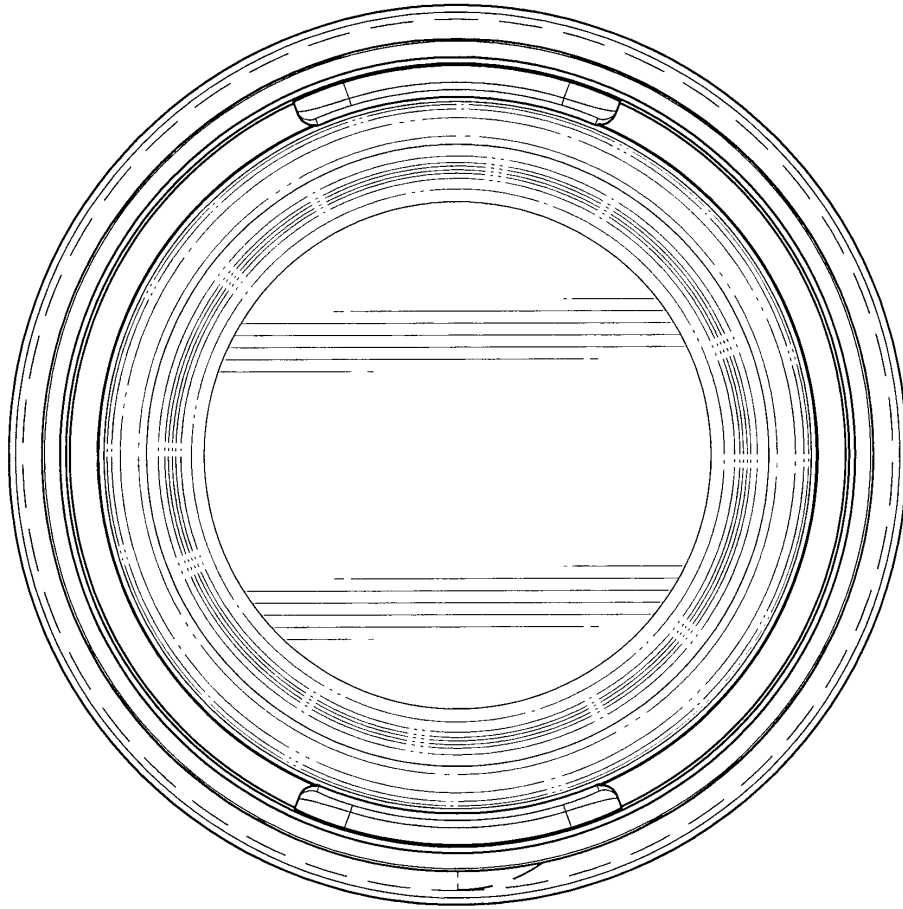


Fig. 7

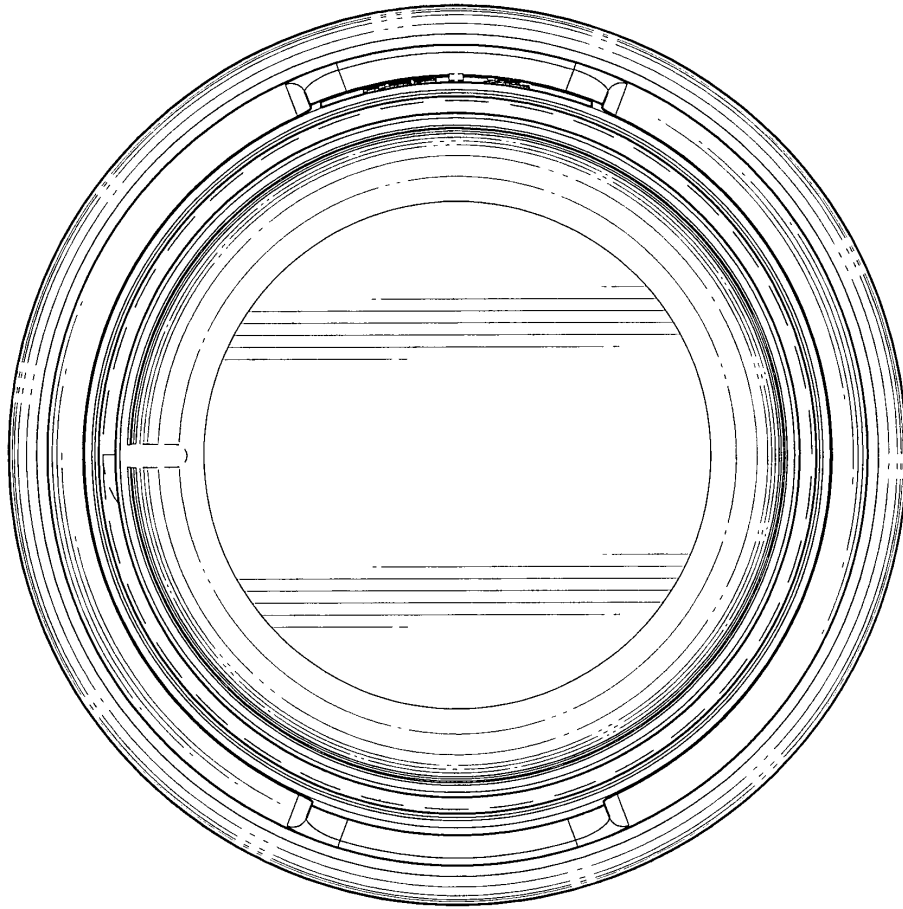


Fig. 8