

# Details

## Third-Party Information Liability Disclaimer

Some of the information on this Web page has been provided by external sources. The Government of Canada is not responsible for the accuracy, reliability or currency of the information supplied by external sources. Users wishing to rely upon this information should consult directly with the source of the information. Content provided by external sources is not subject to official languages, privacy and accessibility requirements.

**Registration number** : 156627

**Date of Registration** :

2014-10-27

**Status** :

Registered

---

**Title**: STACKABLE CONTAINER SYSTEM WITH HANDLE

**Canadian Classification**:

442-Other Containers with Columns or Pedestals

211-01-Closed Cylinder Containers - Plain

211-02-Closed Cylinder Containers - Ornamented

238-Loose Fitting Tops with Centrally Located Ornamentation or Knob

**Other Classes Searched**:

N/A

---

**Description**:

The design consists of the features of shape, ornament, pattern and configuration of the entire STACKABLE CONTAINER SYSTEM WITH HANDLE shown in solid lines in the drawings. The portions shown in stippled lines do not form part of the design. 2 pages of 6 Drawing(s)/Photograph(s) of the design are enclosed. Drawing(s)/Photograph(s) of the design are enclosed in which: FIGURE 1 is a front view of the subject design; FIGURE 2 is a left side view of the design in Figure 1; FIGURE 3 is a top view of the design shown in Figure 1; FIGURE 4 is a bottom view of the design shown in Figure 1; FIGURE 5 is a perspective view of the design shown in Figure 1; and FIGURE 6 is an exploded view of the design shown in Figure 1.

---

**Interested Parties**

**Applicant(s) as Filed**:

SUNDESA, LLC

**Registered Proprietor(s)**:

SUNDESA, LLC

284 SOUTH 700 WEST

PLEASANT GROVE, 84062  
UTAH, UNITED STATES OF AMERICA

**Current Owner(s):**

SUNDESA, LLC  
284 SOUTH 700 WEST  
PLEASANT GROVE, 84062  
UTAH, UNITED STATES OF AMERICA

**Client Reference Number:**

42881-0165

**Representative for Service:**

CASSAN MACLEAN  
307 GILMOUR STREET  
OTTAWA, K2P 0P7  
ONTARIO, CANADA

**Agent:**

CASSAN MACLEAN  
307 GILMOUR STREET  
OTTAWA, K2P 0P7  
ONTARIO, CANADA

---

**Term of Protection:** 10 years, subject to payment of a maintenance fee.

**Maintenance Fee Paid:**

No

**Filing Date:**

2013-02-27

**Correction(s):**

No

**Parent Registration:** 149942

**Divisional(s):** 156615 156614 156627 156628

**Convention Priority Claim(s):**

Convention priority claim(s) made in the parent application:

Country	Filing Date	Application No.
UNITED STATES OF AMERICA	2012-09-07	29/431,546
UNITED STATES OF AMERICA	2012-08-30	29/430,882
UNITED STATES OF AMERICA	2012-09-07	29/431,538
UNITED STATES OF AMERICA	2012-09-07	29/431,540
UNITED STATES OF AMERICA	2012-09-07	29/431,543

1/2

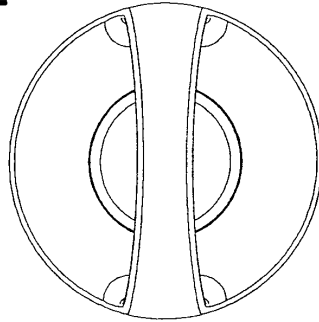


FIG. 3

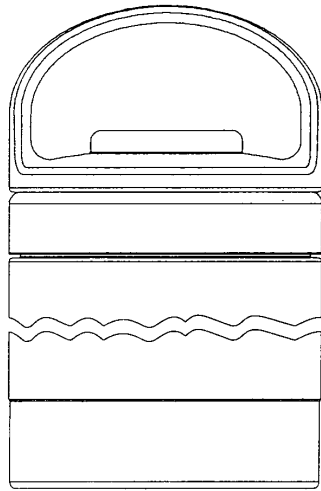


FIG. 2

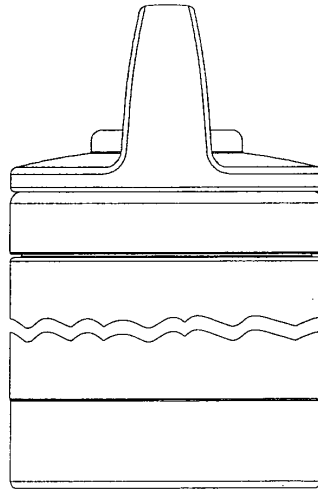


FIG. 1

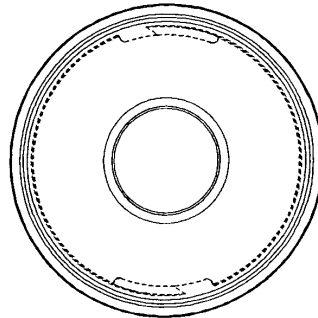


FIG. 4

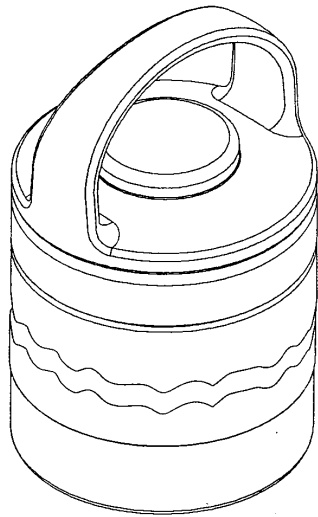


FIG. 5

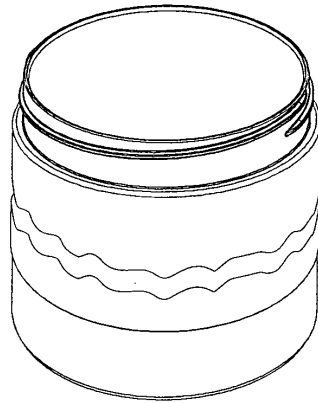
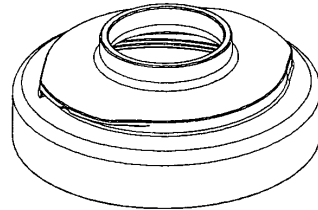
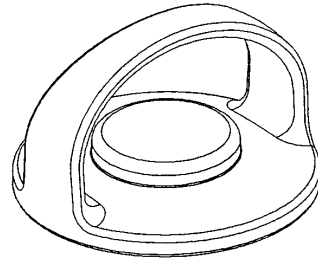


FIG. 6