

Details

Third-Party Information Liability Disclaimer

Some of the information on this Web page has been provided by external sources. The Government of Canada is not responsible for the accuracy, reliability or currency of the information supplied by external sources. Users wishing to rely upon this information should consult directly with the source of the information. Content provided by external sources is not subject to official languages, privacy and accessibility requirements.

Registration number : 156614

Date of Registration :

2014-10-27

Status :

Registered

Title: STACKABLE CONTAINER SYSTEM WITH HANDLE

Canadian Classification:

442-Other Containers with Columns or Pedestals

211-01-Closed Cylinder Containers - Plain

211-02-Closed Cylinder Containers - Ornamented

238-Loose Fitting Tops with Centrally Located Ornamentation or Knob

Other Classes Searched:

N/A

Description:

The design consists of the features of shape, ornament, pattern and configuration of the entire STACKABLE CONTAINER SYSTEM WITH HANDLE shown in solid lines in the drawings. The portions shown in stippled lines do not form part of the design. 1 pages of 5 Drawing(s)/Photograph(s) of the design are enclosed. Drawing(s)/Photograph(s) of the design are enclosed in which: FIGURE 1 is a front view of the subject design; FIGURE 2 is a left side view of the design in Figure 1; FIGURE 3 is a top view of the design shown in Figure 1; FIGURE 4 is a bottom view of the design shown in Figure 1; and FIGURE 5 is a perspective view of the design shown in Figure 1.

Interested Parties

Applicant(s) as Filed:

SUNDESA, LLC

Registered Proprietor(s):

SUNDESA, LLC

284 SOUTH 700 WEST

PLEASANT GROVE, 84062
UTAH, UNITED STATES OF AMERICA

Current Owner(s):

SUNDESA, LLC
284 SOUTH 700 WEST
PLEASANT GROVE, 84062
UTAH, UNITED STATES OF AMERICA

Client Reference Number:

42881-0163

Representative for Service:

CASSAN MACLEAN
307 GILMOUR STREET
OTTAWA, K2P 0P7
ONTARIO, CANADA

Agent:

CASSAN MACLEAN
307 GILMOUR STREET
OTTAWA, K2P 0P7
ONTARIO, CANADA

Term of Protection: 10 years, subject to payment of a maintenance fee.

Maintenance Fee Paid:

No

Filing Date:

2013-02-27

Correction(s):

No

Parent Registration: 149942

Divisional(s): 156615 156614 156627 156628

Convention Priority Claim(s):

Convention priority claim(s) made in the parent application:

Country	Filing Date	Application No.
UNITED STATES OF AMERICA	2012-09-07	29/431,538
UNITED STATES OF AMERICA	2012-09-07	29/431,543
UNITED STATES OF AMERICA	2012-09-07	29/431,540
UNITED STATES OF AMERICA	2012-08-30	29/430,882
UNITED STATES OF AMERICA	2012-09-07	29/431,546

1/1

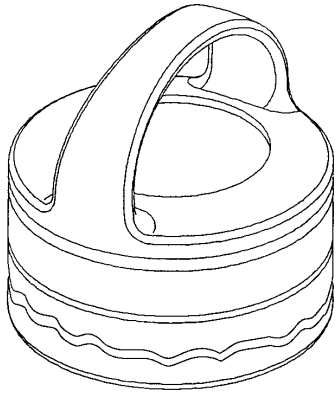


FIG. 5

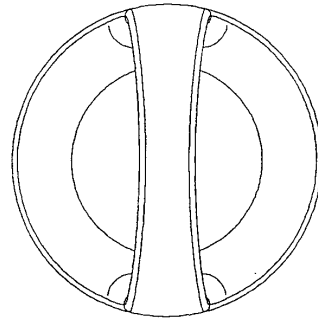


FIG. 3

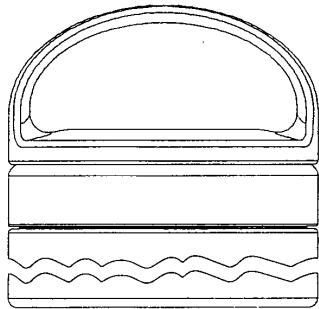


FIG. 2

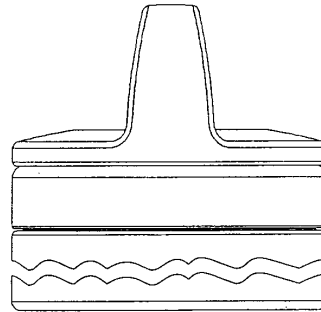


FIG. 1

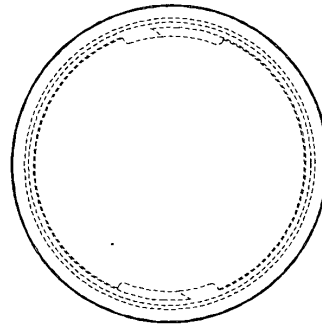


FIG. 4