

Details

Third-Party Information Liability Disclaimer

Some of the information on this Web page has been provided by external sources. The Government of Canada is not responsible for the accuracy, reliability or currency of the information supplied by external sources. Users wishing to rely upon this information should consult directly with the source of the information. Content provided by external sources is not subject to official languages, privacy and accessibility requirements.

Registration number : 152814

Date of Registration :

2014-05-05

Status :

Registered

Title: CLOSURE FOR A CONTAINER

Canadian Classification:

233-Caps with Holes

234-Solid Caps with Tabs

232-Hinged Caps of All Types

Other Classes Searched:

N/A

Description:

The design consists of the features of shape, ornament, pattern and configuration of the entire CLOSURE FOR A CONTAINER shown in the drawings. 6 pages of 8 drawings of the design are enclosed. Drawings of the design are enclosed in which: FIGURE 1 is an upper perspective view of the design in which a carrying member is illustrated in a first position; FIGURE 2 is a front view of the design shown in Figure 1; FIGURE 3 is a rear view of the design shown in Figure 1; FIGURE 4 is a right side view of the design shown in Figure 1; FIGURE 5 is a left side view of the design shown in Figure 1; FIGURE 6 is a top view of the design shown in Figure 1; FIGURE 7 is a bottom view of the design shown in Figure 1; and FIGURE 8 is an upper perspective view of the design in which the carrying member is illustrated in a second position.

Interested Parties

Applicant(s) as Filed:

RUNWAY BLUE, LLC

Registered Proprietor(s):

RUNWAY BLUE, LLC

250 SOUTH 850 EAST

LEHI, 84043
UTAH, UNITED STATES OF AMERICA

Current Owner(s):

RUNWAY BLUE, LLC
250 SOUTH 850 EAST
LEHI, 84043
UTAH, UNITED STATES OF AMERICA

Client Reference Number:

42881-0147

Representative for Service:

CASSAN MACLEAN
307 GILMOUR ST
OTTAWA, K2P 0P7
ONTARIO, CANADA

Agent:

CASSAN MACLEAN
307 GILMOUR ST
OTTAWA, K2P 0P7
ONTARIO, CANADA

Term of Protection: 10 years, subject to payment of a maintenance fee.

Maintenance Fee Paid:

No

Filing Date:

2013-09-05

Correction(s):

No

Convention Priority Claim(s):

Third-Party Information Liability Disclaimer

Country

Filing Date Application No.

UNITED STATES OF AMERICA

2013-06-06 29/457,096

1/6

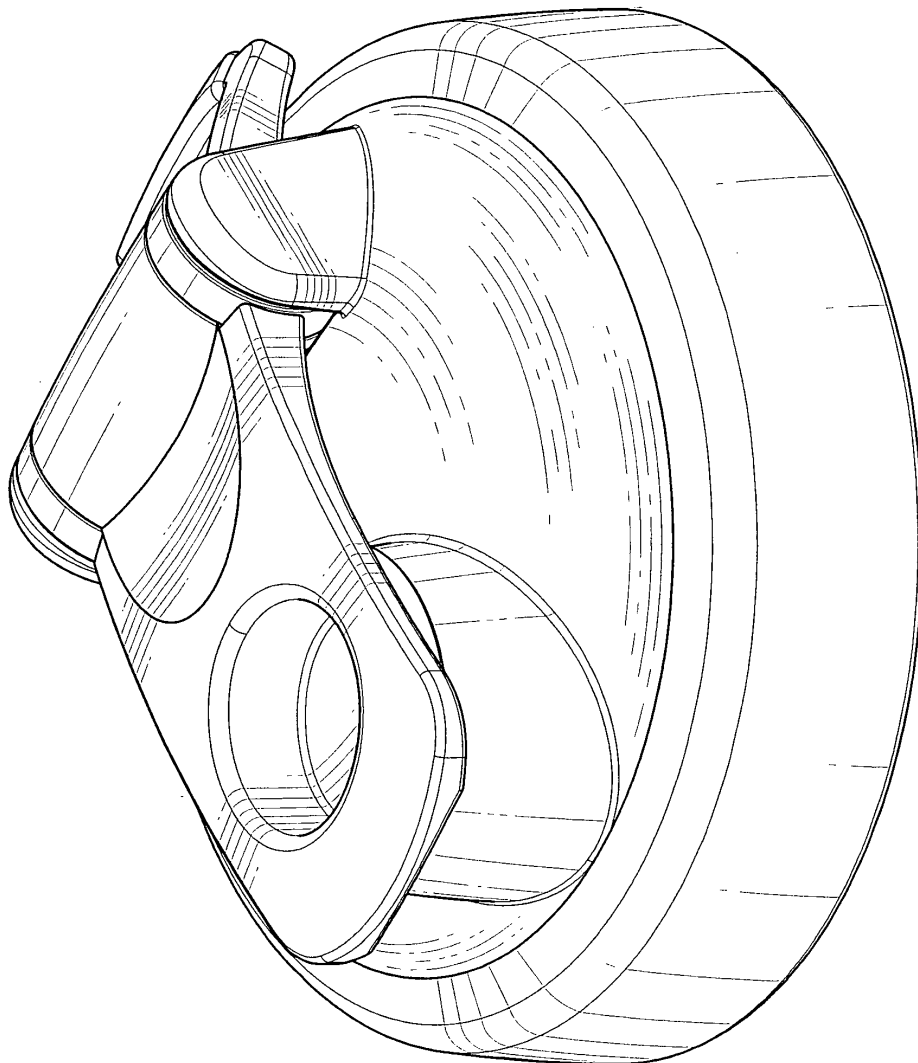


Fig. 1

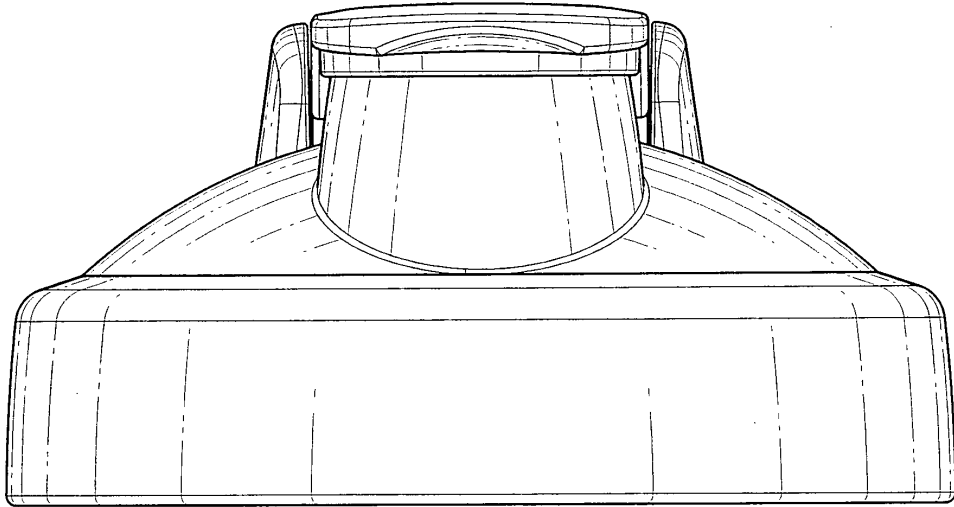


Fig. 2

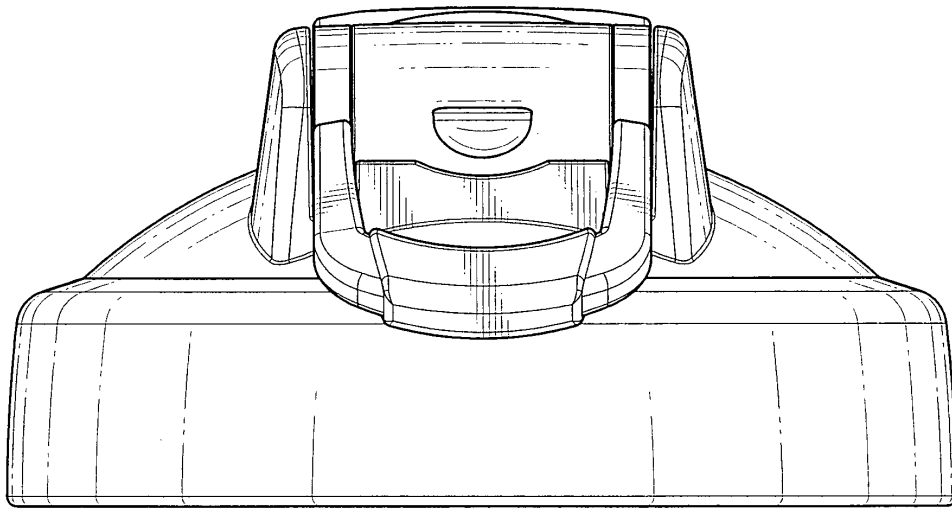


Fig. 3

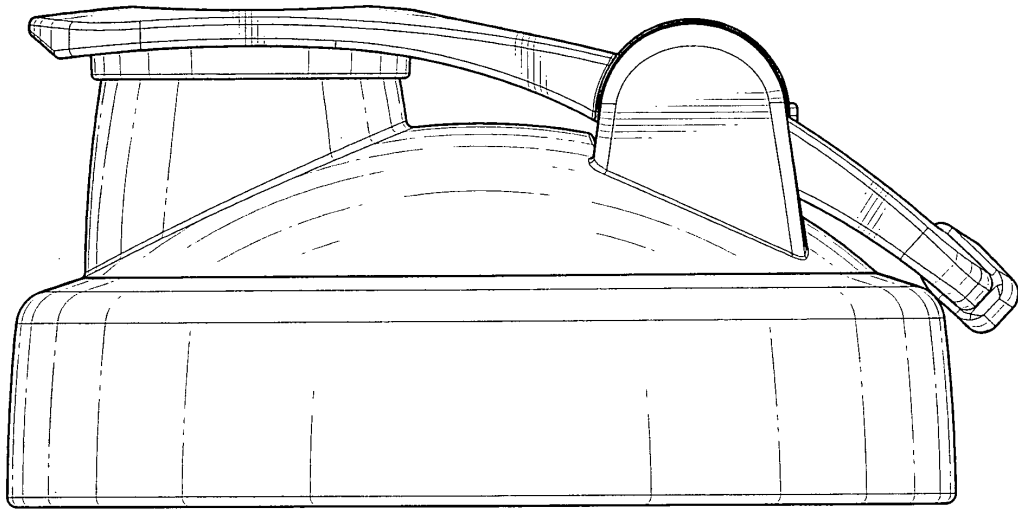


Fig. 4

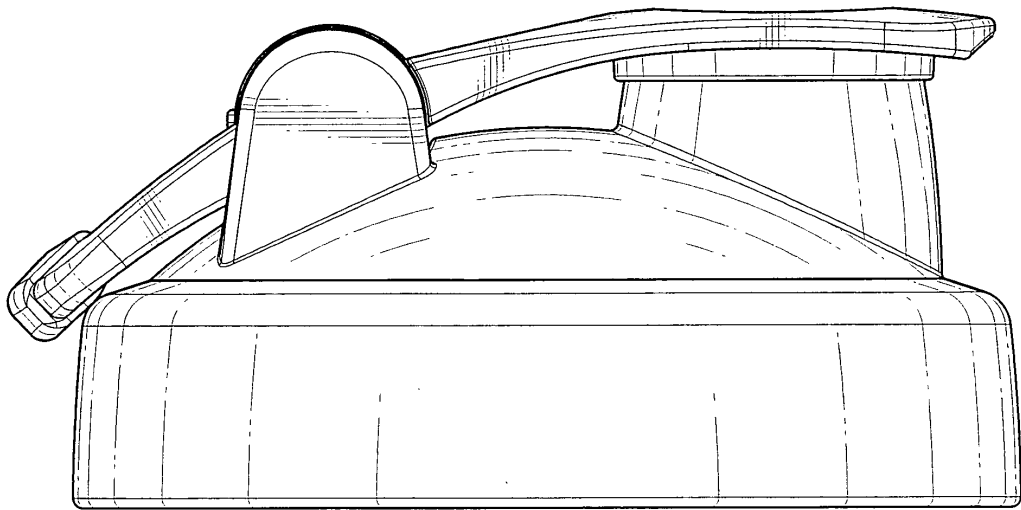


Fig. 5

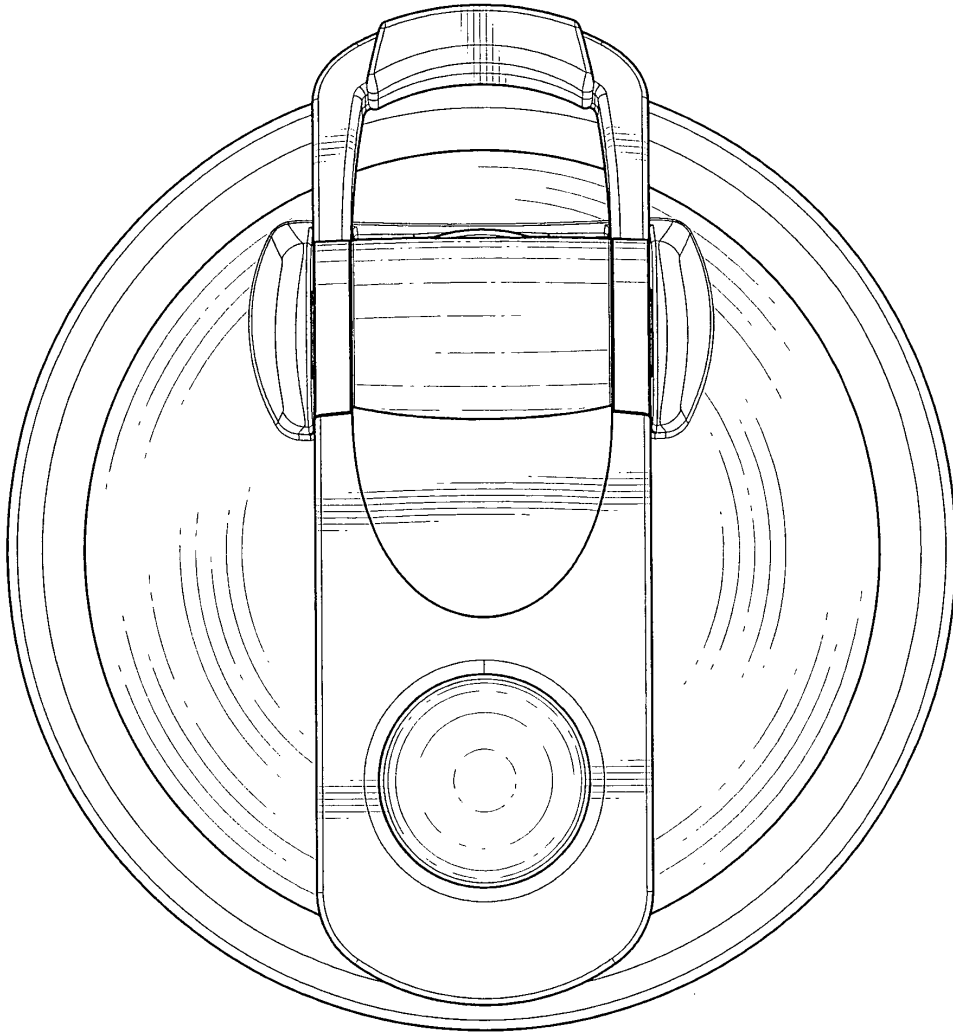


Fig. 6

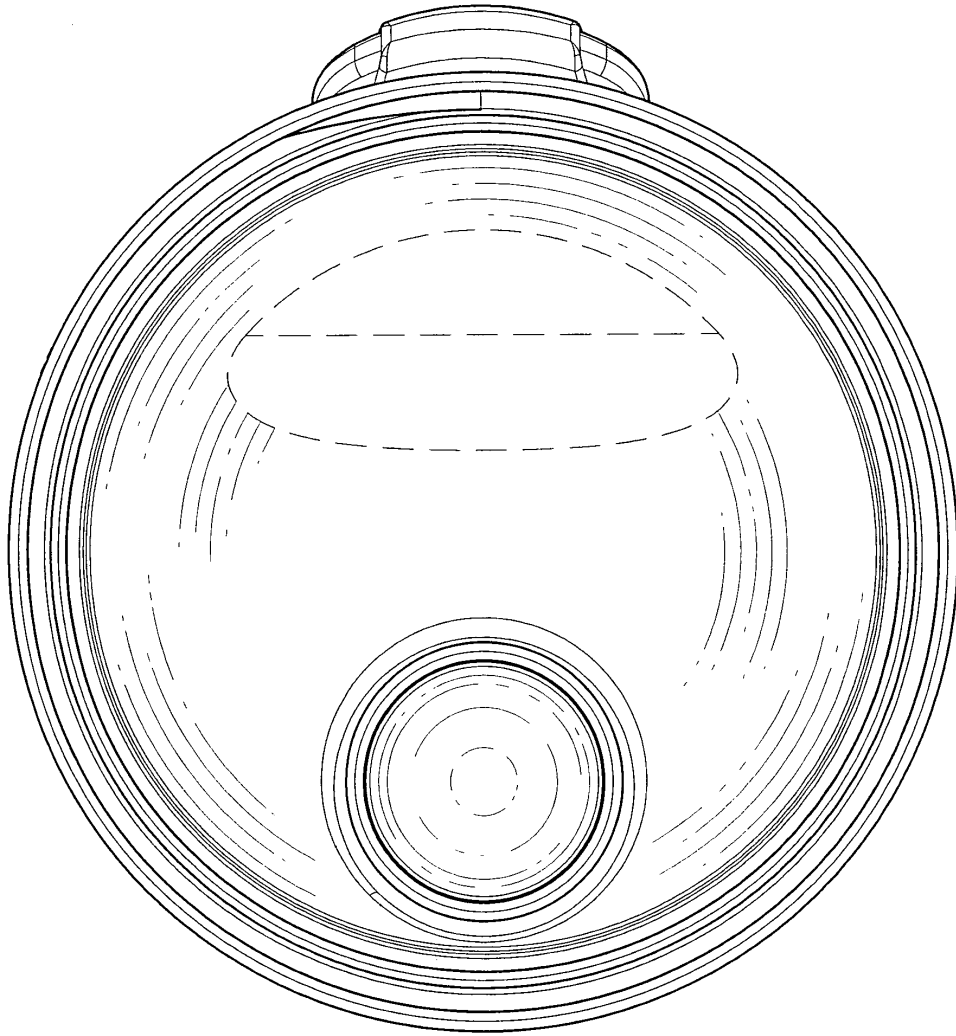


Fig. 7

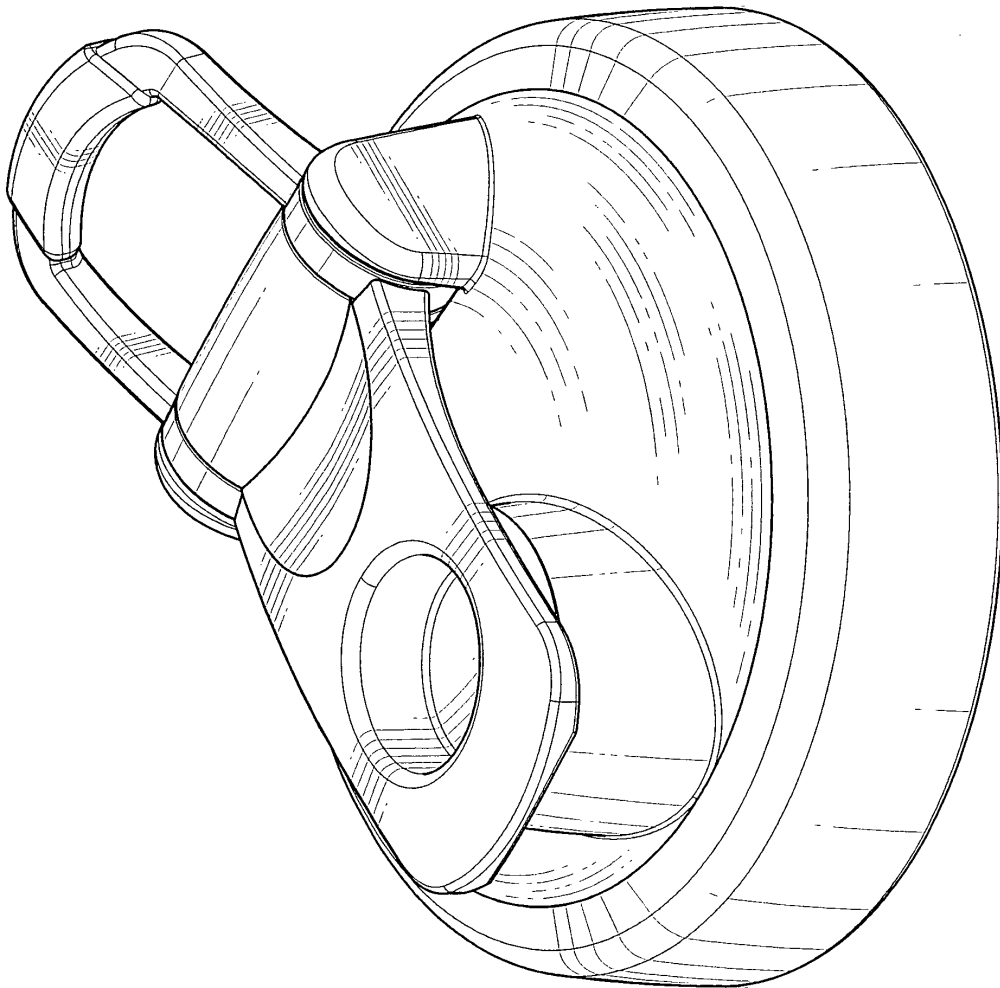


Fig. 8