

Details

Third-Party Information Liability Disclaimer

Some of the information on this Web page has been provided by external sources. The Government of Canada is not responsible for the accuracy, reliability or currency of the information supplied by external sources. Users wishing to rely upon this information should consult directly with the source of the information. Content provided by external sources is not subject to official languages, privacy and accessibility requirements.

Registration number : 150075

Date of Registration :

2014-01-21

Status :

Registered

Title: BOTTLE LID HAVING INTEGRATED HANDLE

Canadian Classification:

233-Caps with Holes

238-Loose Fitting Tops with Centrally Located Ornamentation or Knob

Other Classes Searched:

N/A

Description:

The design consists of the features of shape, ornament, pattern and configuration of the entire BOTTLE LID HAVING INTEGRATED HANDLE shown in solid lines in the drawings. 2 pages of 6 Drawings of the design are enclosed. Drawings of the design are enclosed in which: FIGURE 1 is a front elevation view of the subject design; FIGURE 2 is a left side view of the design shown in Figure 1; FIGURE 3 is a top view of the design shown in Figure 1; FIGURE 4 is a bottom plan view of the design shown in Figure 1; FIGURE 5 is a perspective view of the design shown in Figure 1; and FIGURE 6 is a perspective view of the design shown in Figure 1, with the environment shown in stippled lines. The stippled lines depicting the bottle form no part of the claimed design.

Interested Parties

Applicant(s) as Filed:

SUNDESA, LLC

Registered Proprietor(s):

SUNDESA, LLC

284 SOUTH 700 WEST

PLEASANT GROVE, 84062

UTAH, UNITED STATES OF AMERICA

Current Owner(s):

SUNDESA, LLC
284 SOUTH 700 WEST
PLEASANT GROVE, 84062
UTAH, UNITED STATES OF AMERICA

Client Reference Number:

42881-0131

Representative for Service:

CASSAN MACLEAN
307 GILMOUR STREET
OTTAWA, K2P 0P7
ONTARIO, CANADA

Agent:

CASSAN MACLEAN
307 GILMOUR STREET
OTTAWA, K2P 0P7
ONTARIO, CANADA

Term of Protection: 10 years, subject to payment of a maintenance fee.

Maintenance Fee Paid:

No

Filing Date:

2013-03-05

Correction(s):

No

Convention Priority Claim(s):

1/2

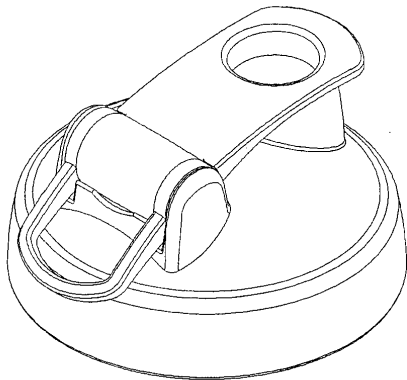


FIG. 5

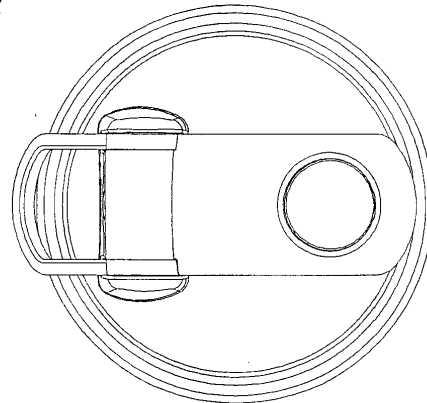


FIG. 3

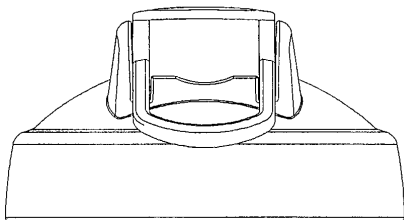


FIG. 2

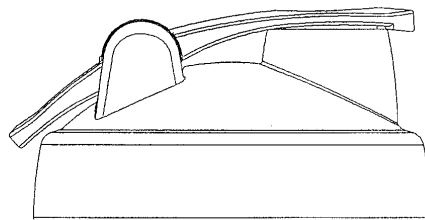


FIG. 1

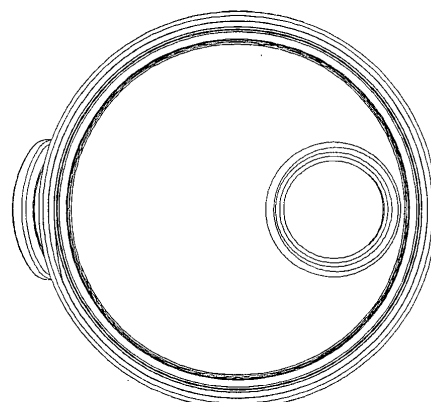


FIG. 4

2/2

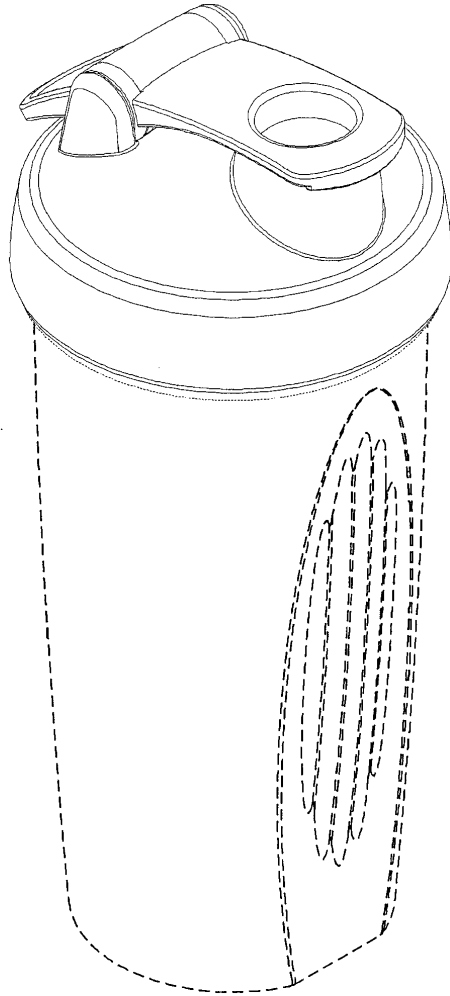


FIG. 6