



Australian Government

IP Australia

CERTIFICATE OF REGISTRATION

DESIGN

No. 348177

I, **Fatima Beattie, Registrar of Designs**, certify that the design, a representation of which is attached, has been registered in the Register of Designs, and that the following details have been entered in the Register in respect of that registration.

Name and Address of Owner(s):

Sundesu, LLC
284 South 700 West Pleasant Grove Utah 84062 United States of America

Name of Designer(s): David O. Meyers, Steven M. Sorensen

Product in respect of which the design is registered: Container with handle

Design Number: 10971/2013

Date on which Application for Registration of the Design was filed: 28 February 2013

Date of Registration: 24 April 2013

Term of Initial Registration: Five years commencing on 28 February 2013

Statement of Newness and Distinctiveness: Newness and distinctness resides in the visual features, including shape and configuration, of the product as shown in solid line in the accompanying representations. Features shown in dashed line are included for illustrative purposes and do not form part of the design. Furthermore, the break denoted by curved lines in Fig 1, 2, 5 & 6 indicate the product has an unspecified height.

Convention Details:

Number	Date	Country
29/431,546	7 September 2012	UNITED STATES OF AMERICA

The design representation(s), plus any additional owner or designer names or other additional information relating to the registration, are listed on the attached pages.

*Given under my hand and the seal of the
Designs Office on 25 April 2013*



Fatima Beattie

1/2

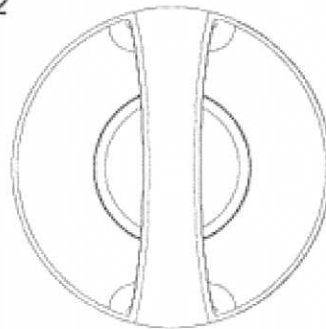


FIG. 3

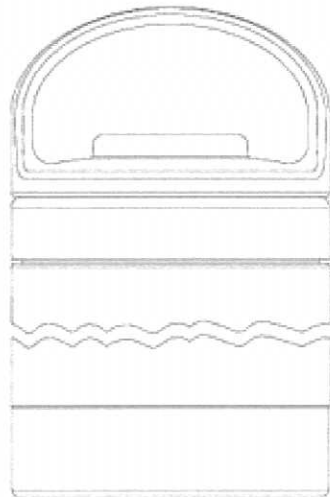


FIG. 2

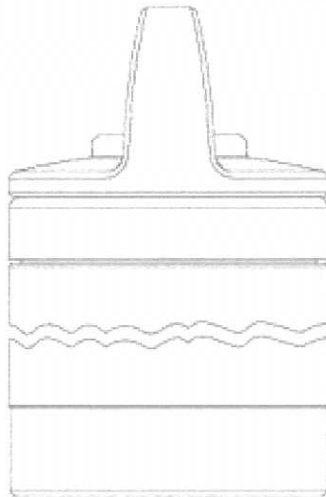


FIG. 1



FIG. 4

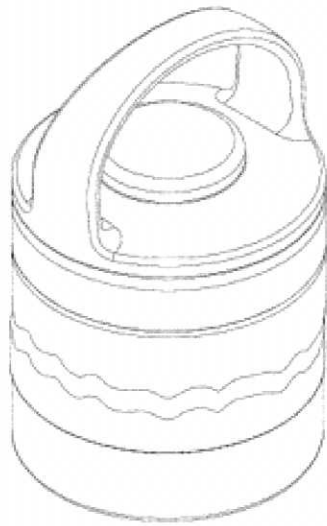


FIG. 5

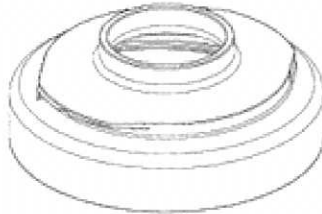
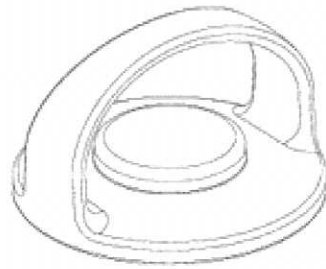


FIG. 6

**Description of Drawings
Container with Handle**

- Figure 1** is a front elevation view of the product;
- Figure 2** is a side elevation view of the product;
- Figure 3** is a top plan view of the product;
- Figure 4** is a bottom plan view of the product;
- Figure 5** is a perspective view of the product; and
- Figure 6** is an exploded view of the product.