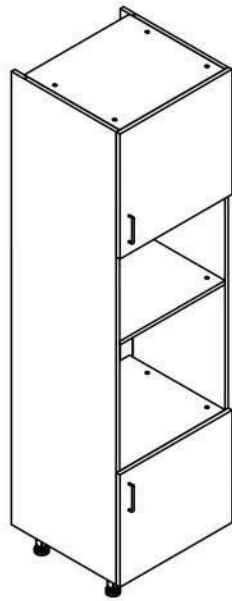
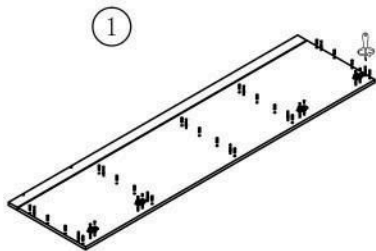
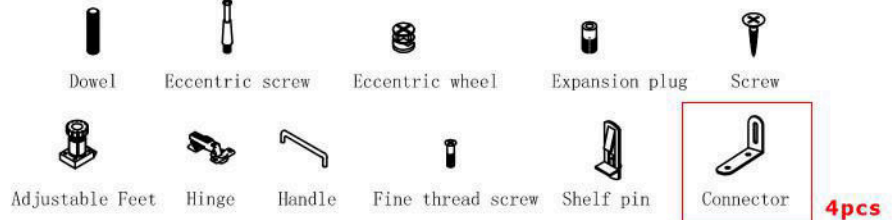
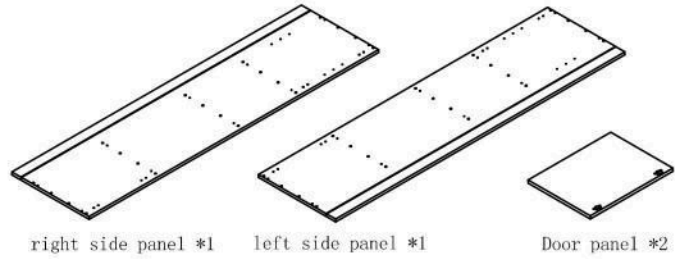


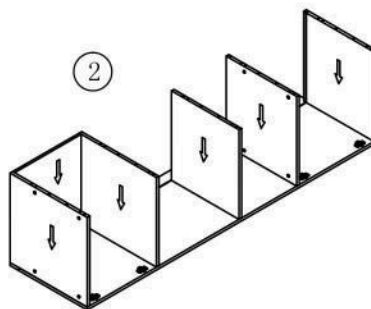
Appliance Tall Cabinets Install Process(2-1)



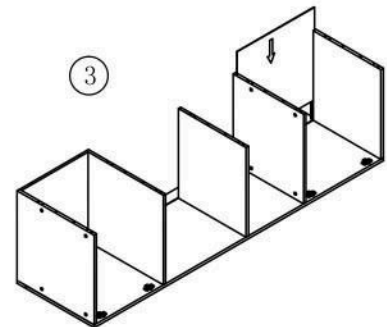
Appliance Tall Cabinets



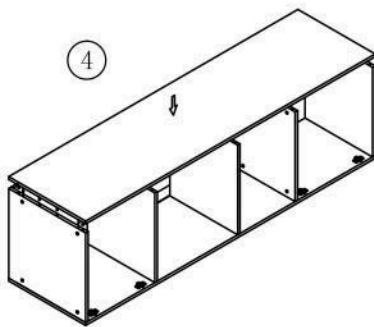
1 Install wood dowels and screws on the left and right side panels



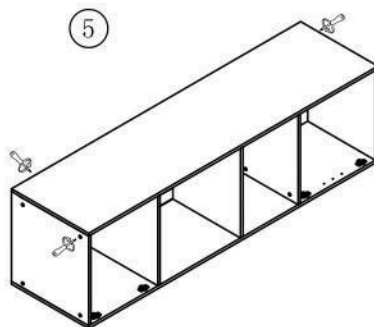
2 Install roof, bottom panel and Shelf Panel



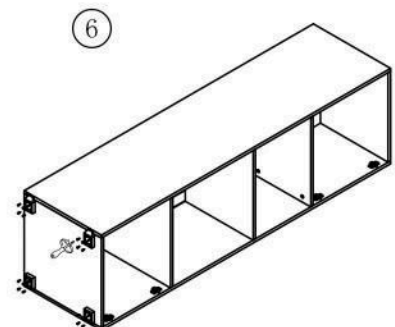
3 Place the back panel



4 Place the side panel

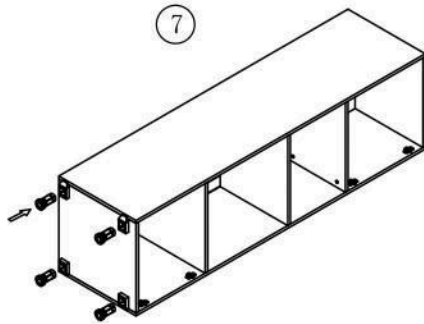


5 Place and fix the connection

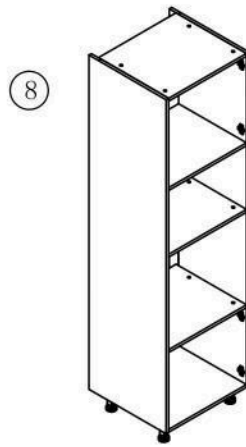


6 Install the adjustable feet base

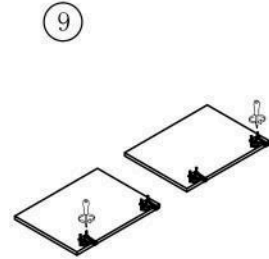
Appliance Tall Cabinets Install Process(2-2)



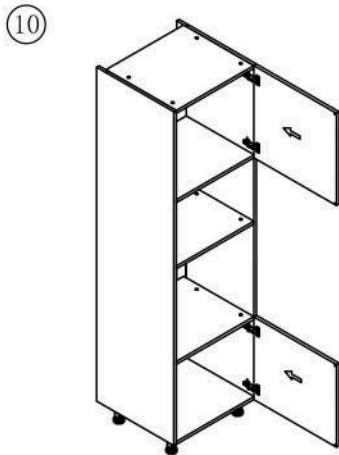
Install the adjustable feet



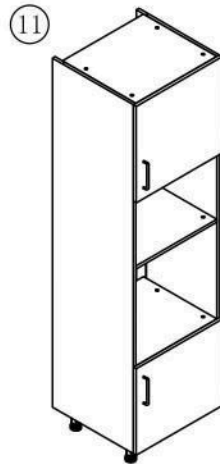
Turn over the cabinet by 90°



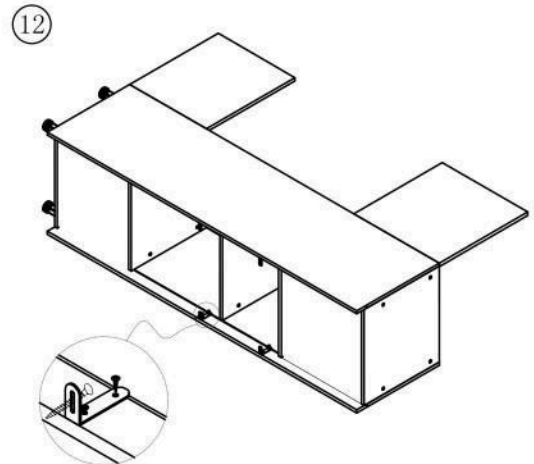
Place the Anti-collision particle



Install the door, fix the hinge into hinge base End of the assembly

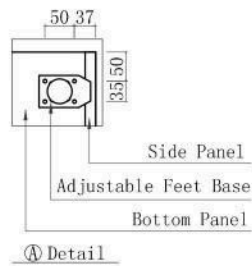
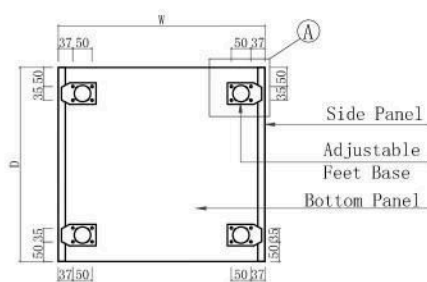


Fix the handle, End of the assembly



One side of the bracket is fixed to the side panel with screw and the other side is fixed to the wall with screw.

NOTE: Adjustable Feet Base Hole Position Drawing



Tall Cabinet
Adjustable Feet Base
Hole Position Drawing