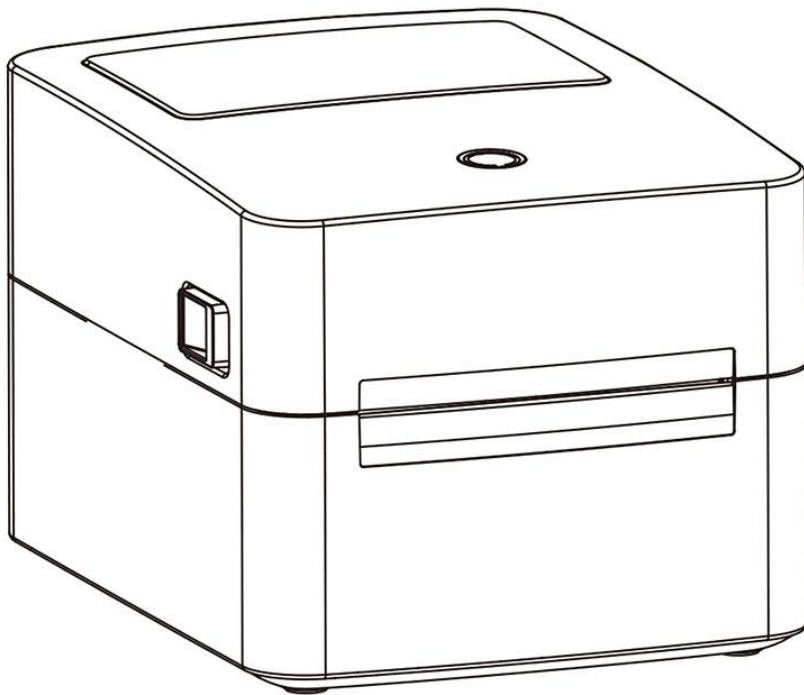


deli

User Manual

Thermal Label Printer



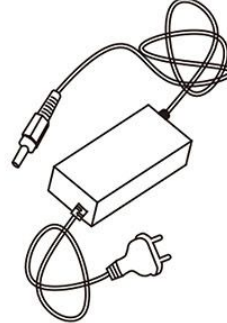
MODEL: 750W

1.packing checklist

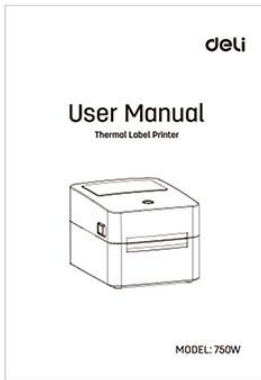
Please check if the product is intact after unpacking and verify that all the accessories have been received. Please contact the dealer for any defect and/or missing of accessory.



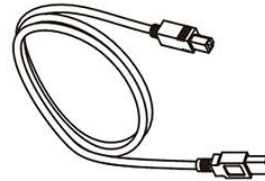
Printer



Power cord



User manual



USB cable

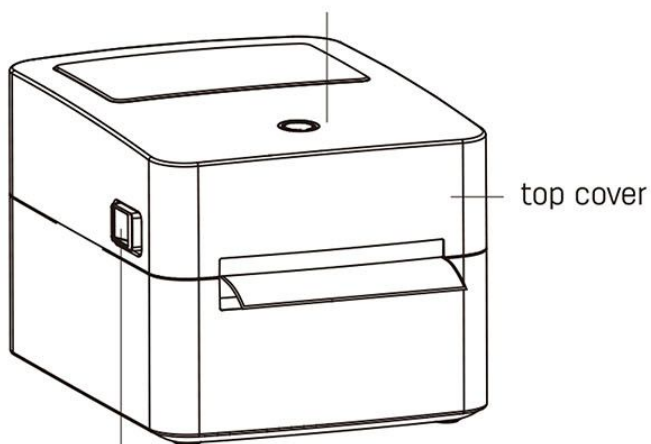
Note:

1. Please visit Deli official website (<http://www.nbdeli.com>) to download the drivers and the editing software.
2. Please use the "First Sheet Rewind" function indoors without direct sunlight. It is recommended to disable the "First Sheet Rewind" function in Settings in bright light conditions.

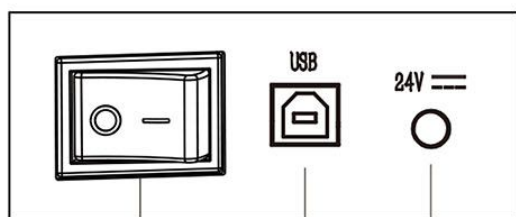
Scan For App

2. Physical appearance and components

paper feed button(status indicator)



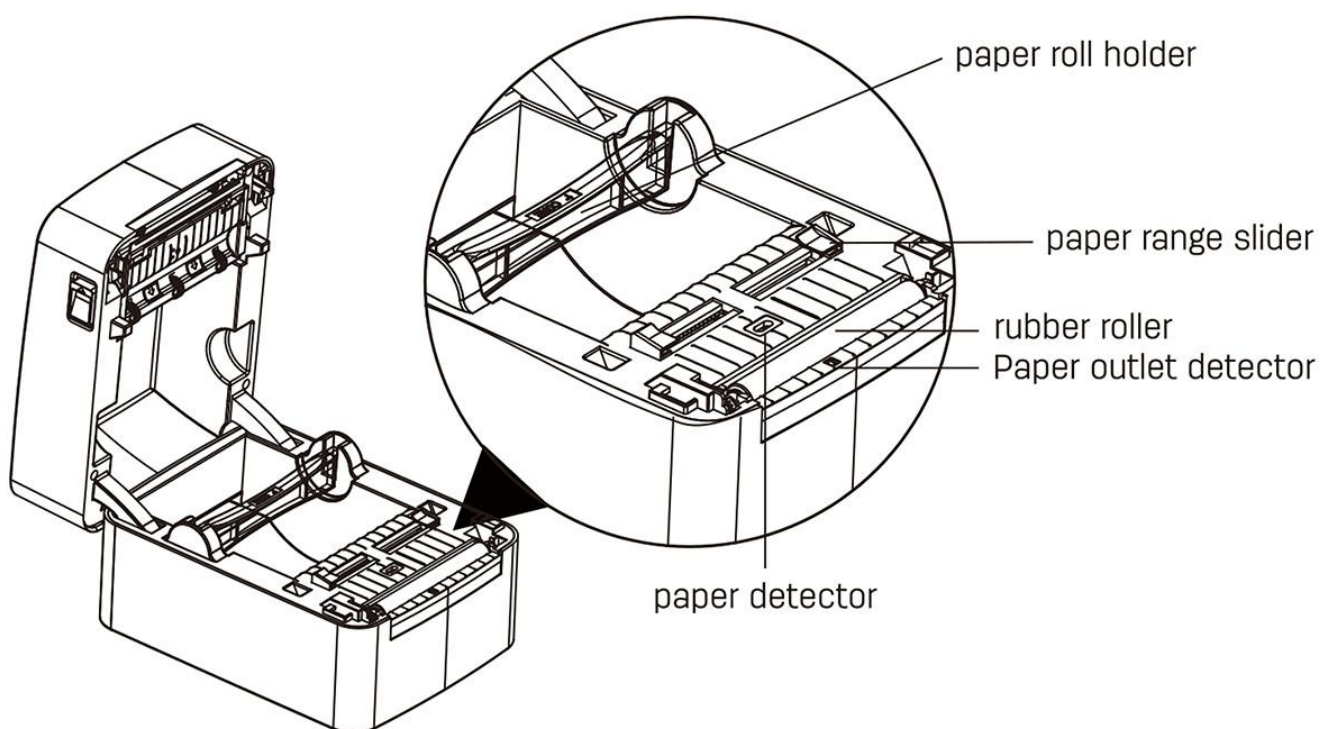
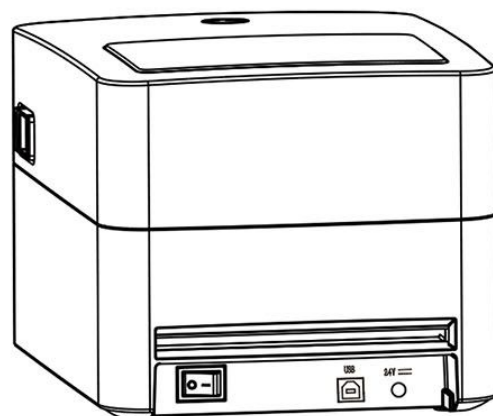
top cover release button



power switch

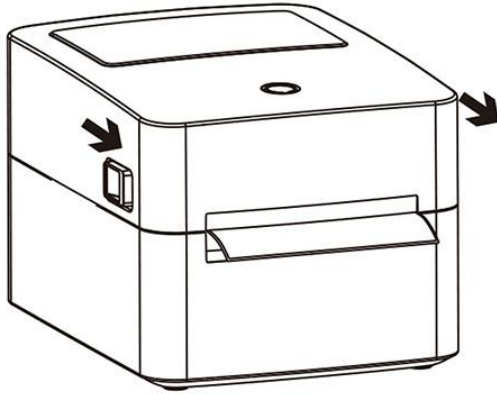
USB port

power connector

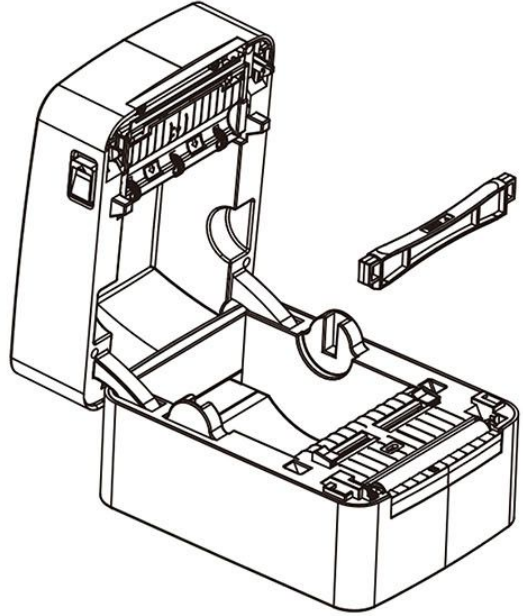


3.Loading the paper roll

1. Stand in front of the printer and follow the arrow to open the receipt cover by pushing it up.



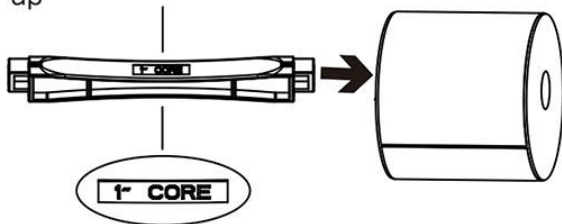
2.Hold the paper scroll and take out the paper scroll upwards.



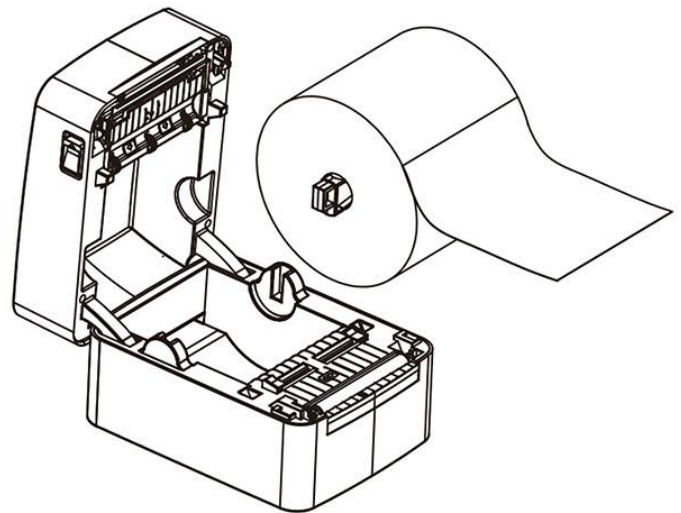
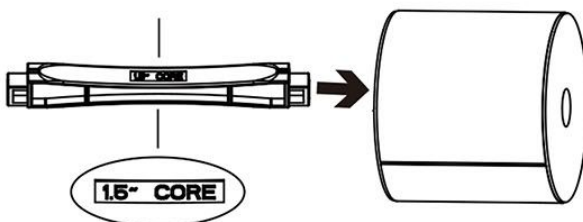
3. In accordance with the inner diameter of the paper roll, load the paper roll into the paper scroll.

4. Load the paper roll set into the printer from top to bottom.

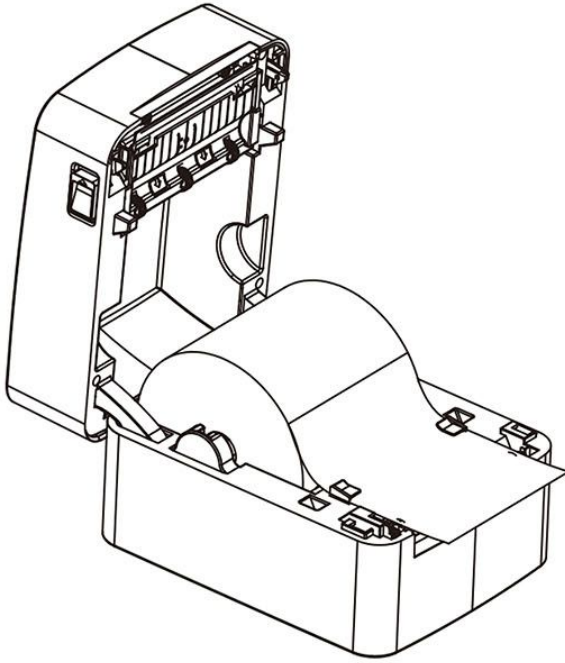
① When using a 1-inch paper roll, please load the paper scroll with the 1-core side facing up



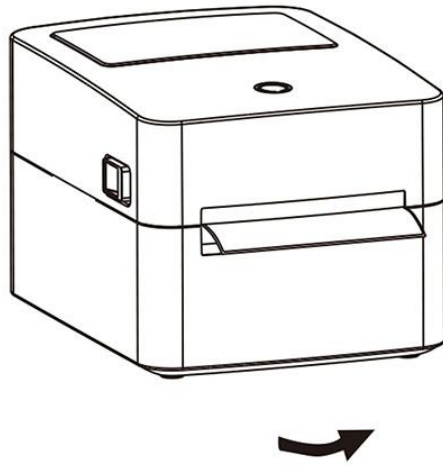
② When using a 1.5-inch paper roll, please mark the paper scroll with a 1.5 core face up, load paper roll



5. Pull out part of the paper roll through the paper guide, and close the paper guide according to the paper width to regulate both sides of the paper.

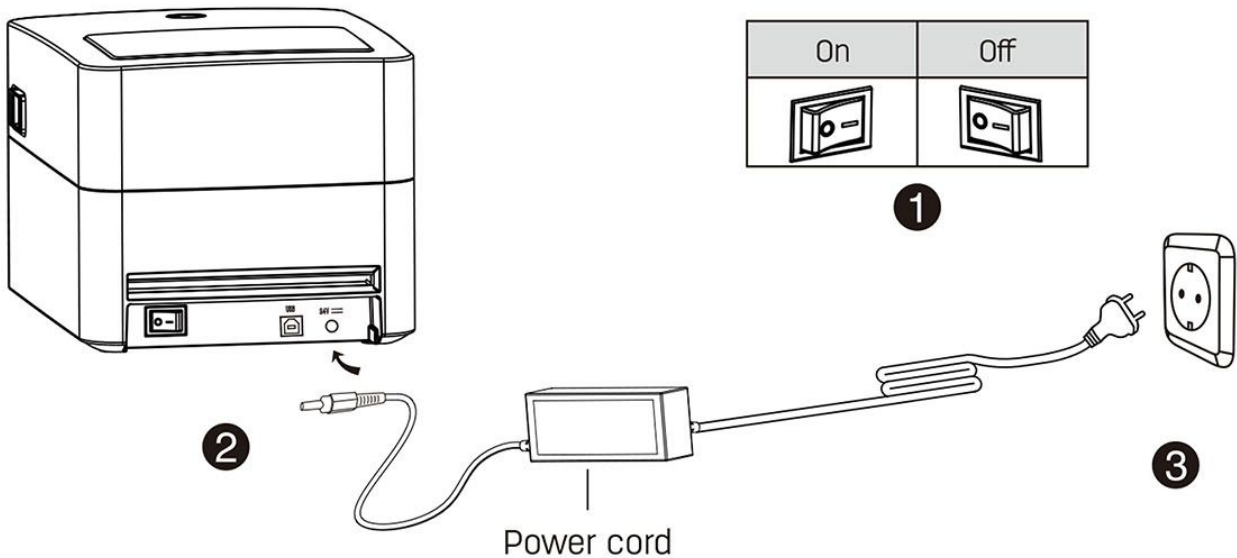


6. Press down until you hear a click. Tear off any excess paper in the direction of the cutting blades.



4. Connecting the power cord

1. Make sure the printer's power switch is off (O).
2. Connect the power adapter to the printer.
3. Plug the power cord into the other end of the power supply.



WARRANTY CARD

Thank you for your purchase of our products. The interests of customers who purchase our products will be protected. For any malfunction due to product quality problems, please contact authorized local dealers or service centers with this receipt and the warranty card.

Warranty terms:

1. For product failures occur under normal operating circumstances, free of charge repair and spare parts replacement service shall be provided by our company within one year commencing from date of purchase.
2. Customers are required to present this warranty card and the original purchase invoice to our company upon request for warranty service. This warranty card shall be valid only after the following form is filled out in details and affixed with official seal of the dealer.
3. No free of charge repair service shall be provided in the event of any of the following circumstances:
 - (1) Expiration of the warranty period;
 - (2) Damages caused by improper use, maintenance or storage not in accordance with the requirements of the user manual;
 - (3) Failure or damage resulting from unauthorized disassembly, repair or modification;
 - (4) Failure or damage caused by force majeure;
 - (5) Wear parts or accessories.

This warranty card is being delivered with the product, one card for one product. Please keep this warranty card in proper condition for free warranty service. There is no replacement if lost.

Date of Purchase: _____ Y _____ M _____ D

Product Information	Product Name			Serial Number		
	Product Model Number			Manufacturing Date		
Customer Information	Company Name				Contact	
	Address				Phone	
Sales Information	Dealer Name				Contact	
	Address				Phone	
	Date of Purchase				Invoice No.	
Maintenance Record	Description of Malfunction	Maintenance Results	Customer Signature	Maintenance Technician Signature	Maintenance Date	

This copy shall be cut along the dotted line and kept by the dealer.

Product Information	Product Name			Serial Number		
	Product Model Number			Manufacturing Date		
Customer Information	Company Name				Contact	
	Address				Phone	
Sales Information	Dealer Name				Contact	
	Address				Phone	
	Date of Purchase				Invoice No.	
Maintenance Record	Description of Malfunction	Maintenance Results	Customer Signature	Maintenance Technician Signature	Maintenance Date	




Special Disclaimer:

While information of this manual has been rigorously checked and reviewed, we still cannot rule out the possibility of spelling mistakes and technical negligence and/or errors. Such negligence and/or errors will be corrected in the updated version(s) without further notice. The intellectual property of this manual belongs to our company, and no organization or individual is allowed to change the content.

CERTIFICATE

Inspector: _____

Date of Manufacture: _____

-  WARNING: Running this device in a residential environment may cause radio interference.
-  WARNING:Has sharp edges, do not touch.
-  WARNING:Hot parts! Touching the parts will burn your fingers, wait half an hour after turning off the power before touching the parts

Youtube videos for using

Deli official website

DELI GROUP CO., LTD.

301 Xuxiake Ave. Ninghai County
Ningbo 315600 China Made in China
info@nbdeli.com www.deliworld.com



**KEEP FOR
FUTURE USE**

Version: 1.0
Date: 02-2023