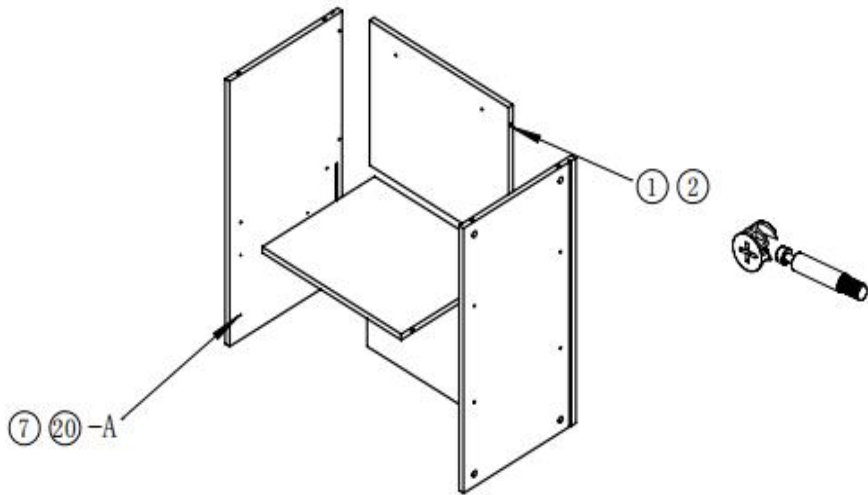
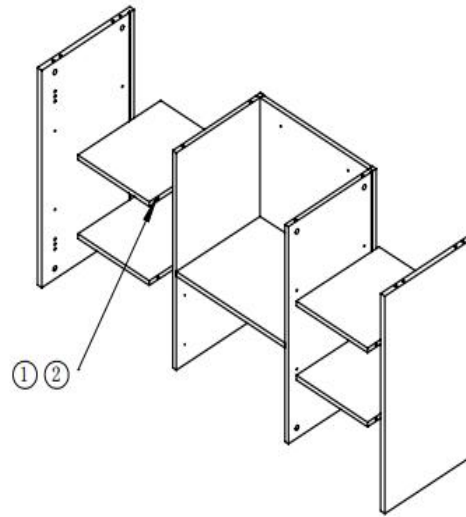


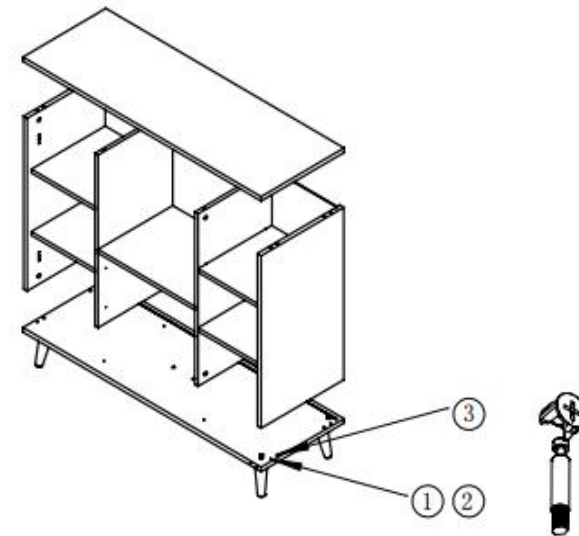
1、 The 18 using ①⑥,①⑧ and ①⑦ connected to the 2.  
 The leg 13 adopts ①⑩ to connect the ①⑪.  
 The ①⑪ are connected to the 2 using ①⑫.



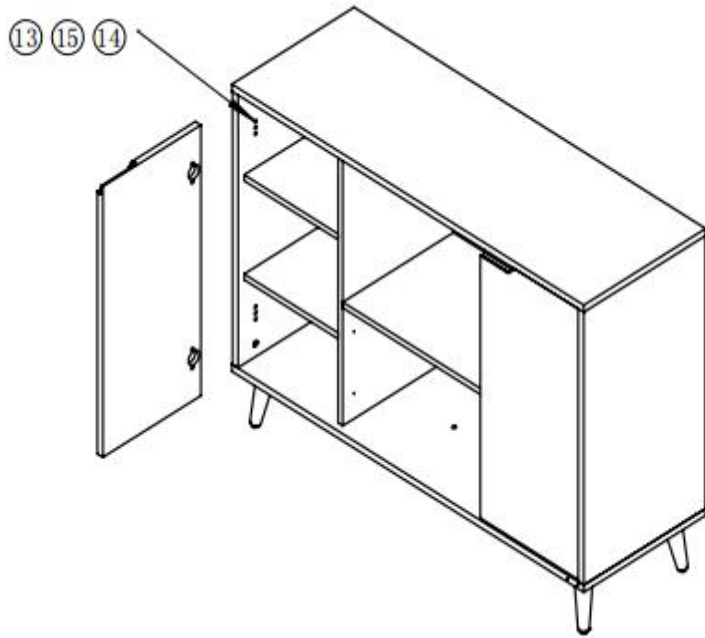
2、 Install sliding rail ②⑩-A on the inside of the 6 and 7 using ②⑦.  
 The 6 is connected with the 9 and 19 using ②① and ②②.  
 The 7 is connected with the 9 and 19 using ②① and ②②.  
 Insert the 20



3、 The 4 adopts ②① and ②② to connect the 10.  
 The 8 adopts ②① and ②② to connect the 10.

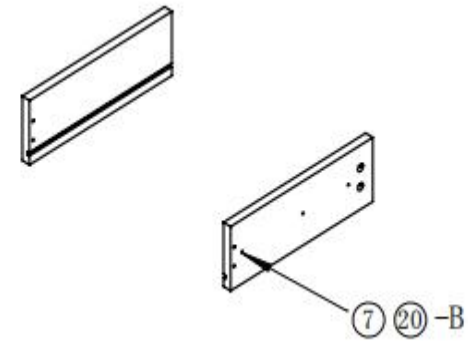
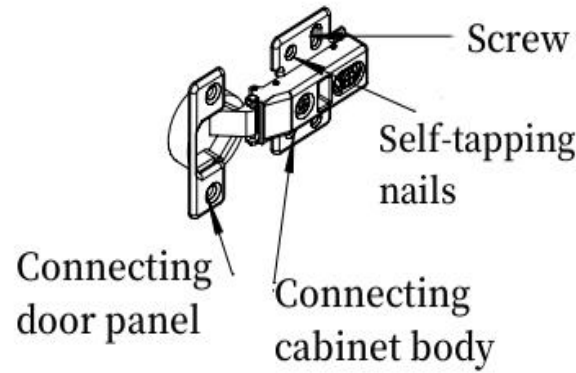


4、 The 2 adopts ②①, ②② and ②③ to connect the 4 and 8,  
 At the same time, ②① and ②② are used to connect the 6 and 7.  
 Then Insert the 12 and 20.  
 The 3 adopts ②①,②② and ②③ to connect the 4 and 8.  
 At the same time, ②① and ②② are used to connect the 6 and 7.

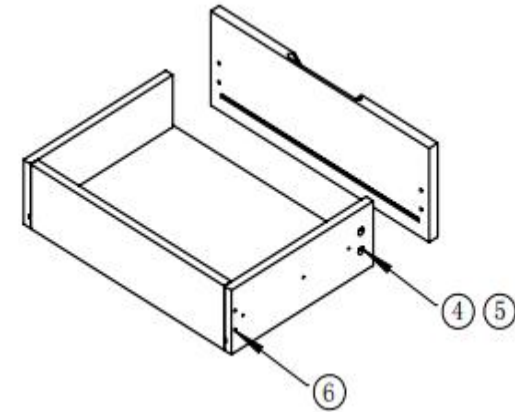


5、 Each hinge (13) are installed in the corresponding position of the door panel with (15).

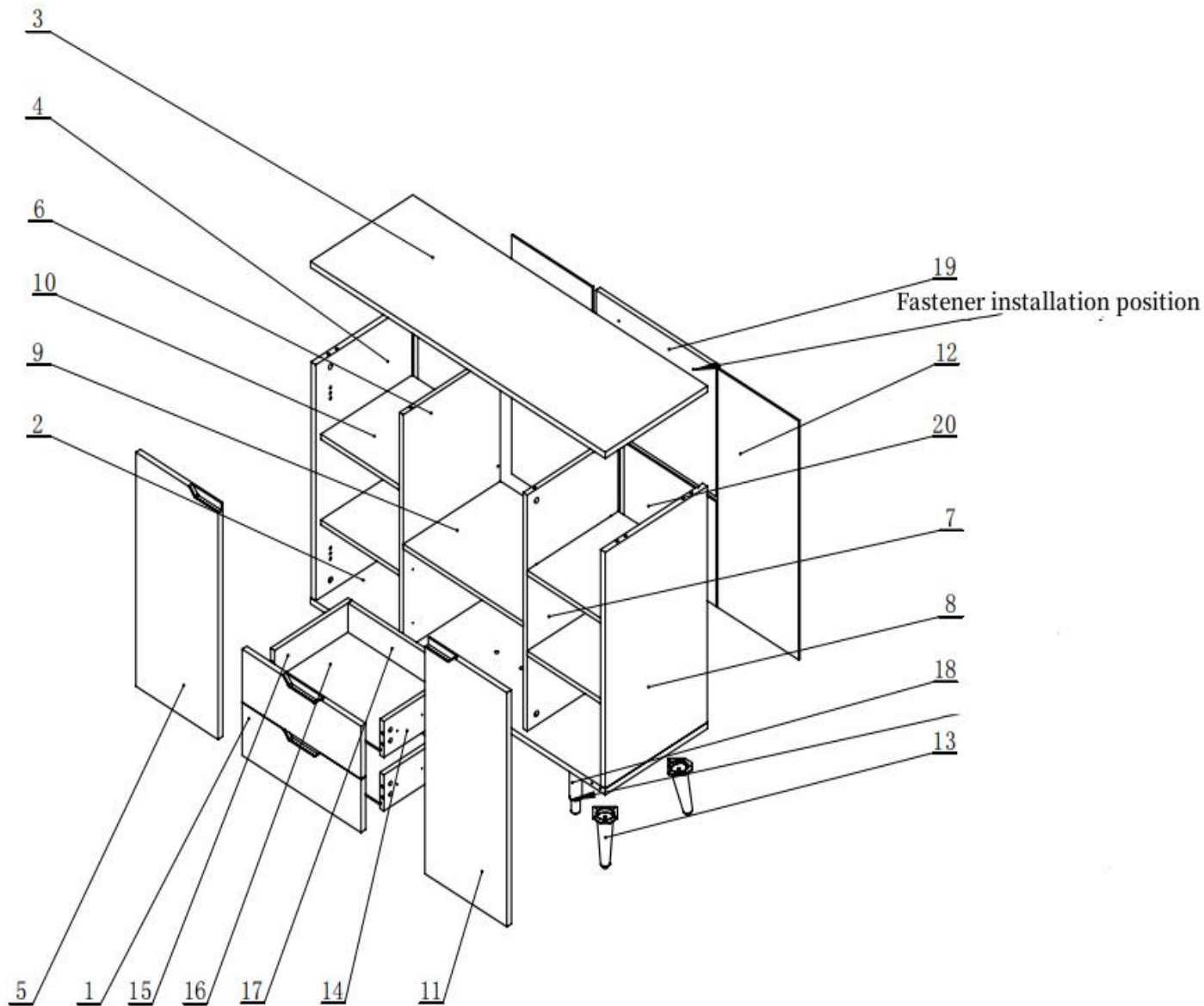
Then connect with the corresponding side plate of the cabinet with (15) and (14).  
 (Note: When connecting the cabinet with hinges, install the screw on the corresponding rubber plug hole first. Then use self-tapping nails to fix);



6、 Install sliding rail (20)-B on the outside of the 14 and 15 using (7).


















7、  
 a. The 14 and 15 adopts (4) and (5) to connect the 1. Then Insert 16.  
 b. The (6) are used to connect the 17 on the 14 and 15 respectively.



Itme	Name	Spec.	Qty
1	Drawer surface	461X158	2
2	Base plate	1143X397	1
3	Top plate	1143X397	1
4	The left side plate	706X396	1
5	Left door panel	700X318	1
6	Left latus inframedium	706X376	1
7	Right latus inframedium	706X376	1
8	The right side plate	706X396	1
9	Medium septum	465X376	1
10	Clapboard	305X354	4
11	Right door panel	700X318	1
12	Side soft backplane	714X313	2
13	Solid wood leg		4
14	The right drawer side	300X108	2
15	The left drawer side	300X108	2
16	Drawer bottom	416X293	2
17	Drawer end	409X108	2
18	Adjustable leg		1
19	Backplane	386X465	1
20	Medium soft backplane	313X473	1

- 8、  
 a. Exposed hole paste ⑲.  
 b. Adjust the distance between the drawers to 2mm, the installation is complete.

## Hardware List

No.	Name	Picture	Qty.	No.	Name	Picture	Qty.	No.	Name	Picture	Qty.
①	Large tapping buckle bar 34mm		40	⑥	M3*30 cross countersunk head self-tapping nails		8	⑪	Universal black leg inclined connecting disc M8* Diameter 45		4
②	Large buckle wheel		40	⑦	M3.5*14 cross countersunk head self-tapping nails		24	⑫	M4*16 cross countersunk head self-tapping nails		20
③	8*35 Wood tip		8	⑧	Expansion rubber plug		2	⑬	Embedded hydraulic hinge large base four holes		4
④	Small tapping buckle bar		8	⑨	M5*60 cross countersunk head self-tapping nails		2	⑭	M4*14 cross countersunk head self-tapping nails		8
⑤	Small buckle wheel		8	⑩	M8*35 double-ended galvanized screw		4	⑮	M4*12 cross countersunk nickel plated screw		16

