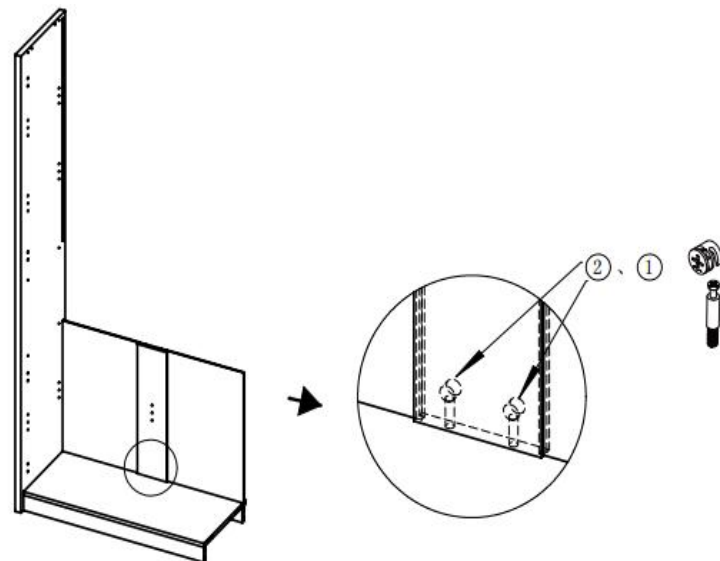
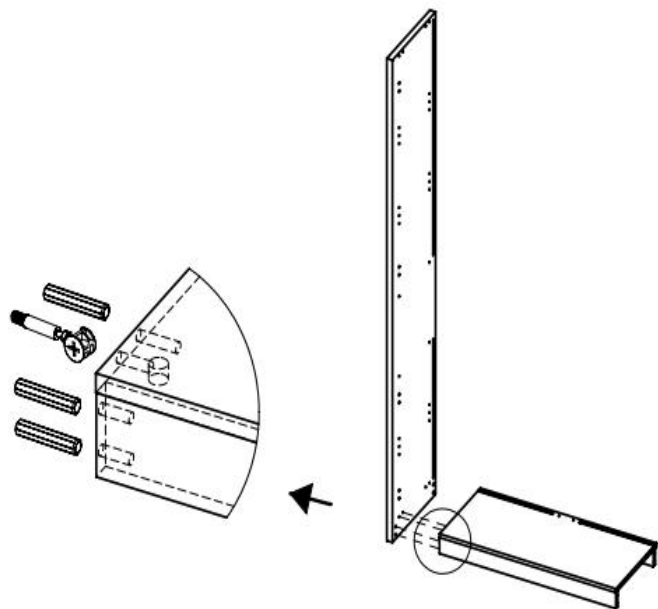


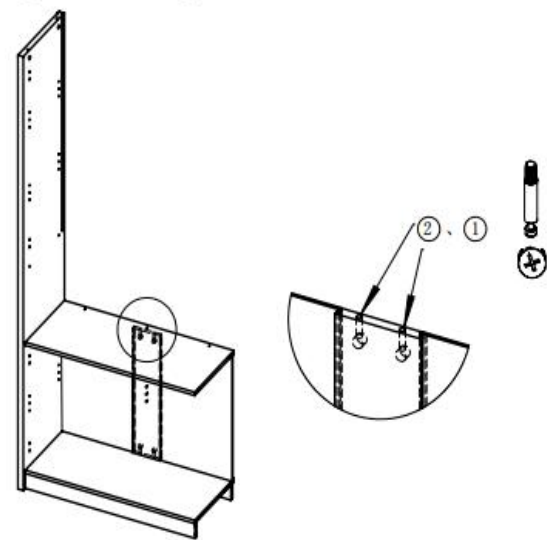
- 1、 a. The 10 is connected to the 4 and 8 by using ① and ②, and then it is connected to the 3 by using ① and ②.
- b. The 4,8,10 and the bottom of the side plate are installed with ⑪.



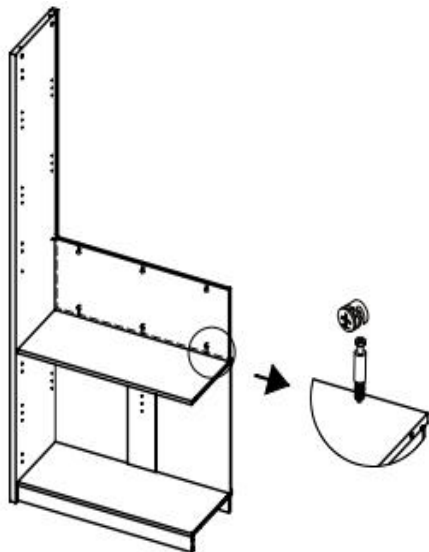
- 3、 The 11 is fixed on the 3 with ① and ②, and then inserted the 14.



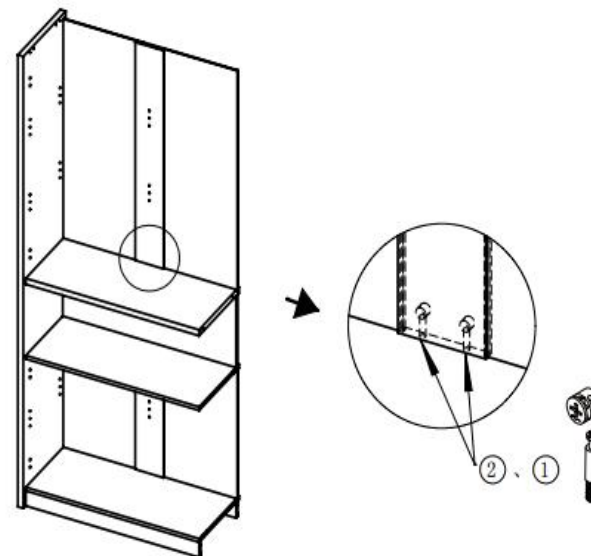
- 2、 The 1 adopts the ①, ② and ⑩ to connect the 3 , 4 and 8 .
- Note: The cabinet can be put down to fix the buckle wheel under the bottom plate;



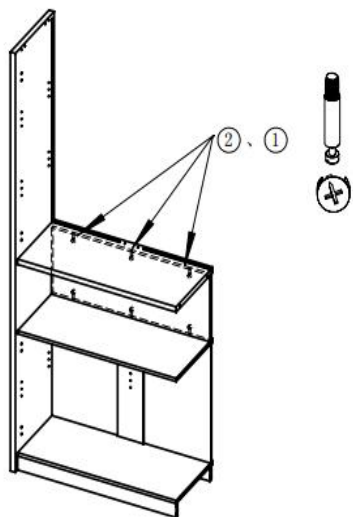
4. Connect the 7 with ① and ② to the 1 and 11 at the same time.



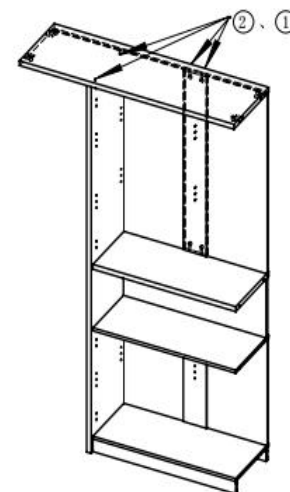
5、 The 6 is connected with the 7 by ① and ②.



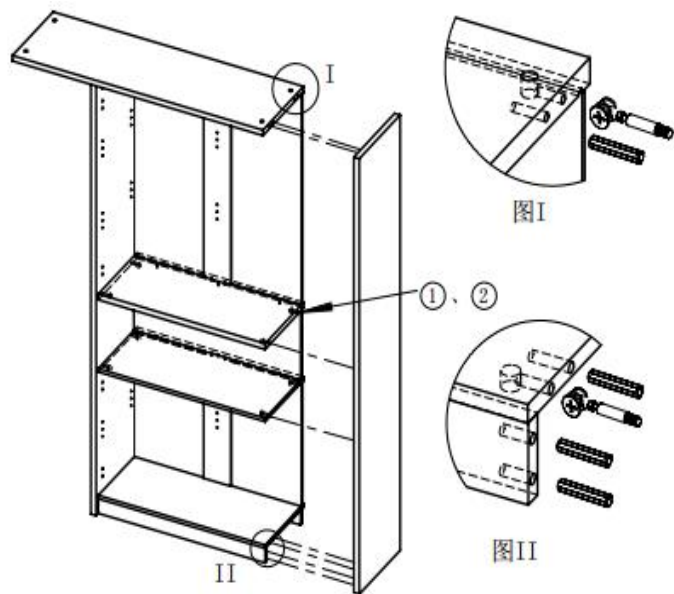
7、 The 12 adopts ① and ② to connect and fix on the 2, and then insert the 13.



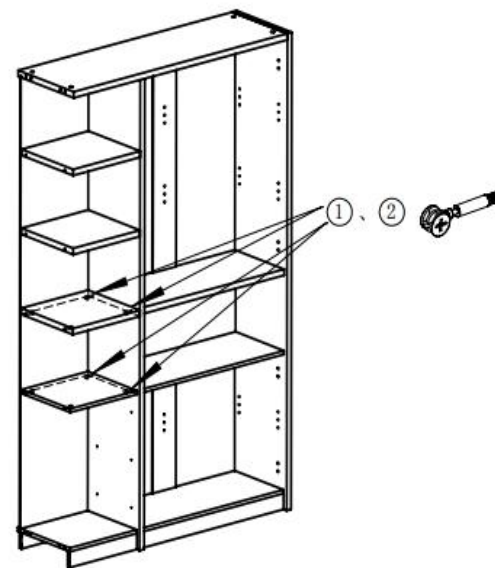
6、 The 2 and 6 are connected with ① and ②.



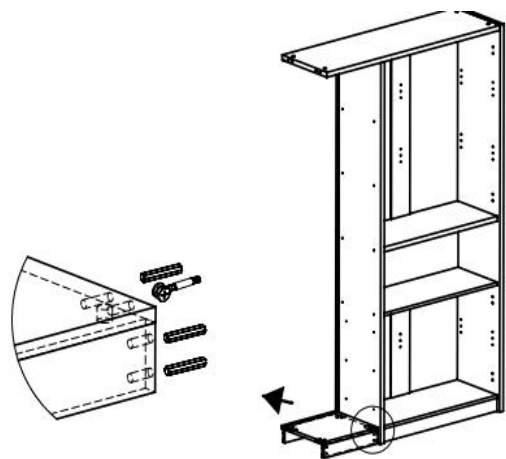
8、 At the same time, the 5 is connected to the 1 and 12 with the ① and ②, After the connection is complete, secure it with buckle wheel



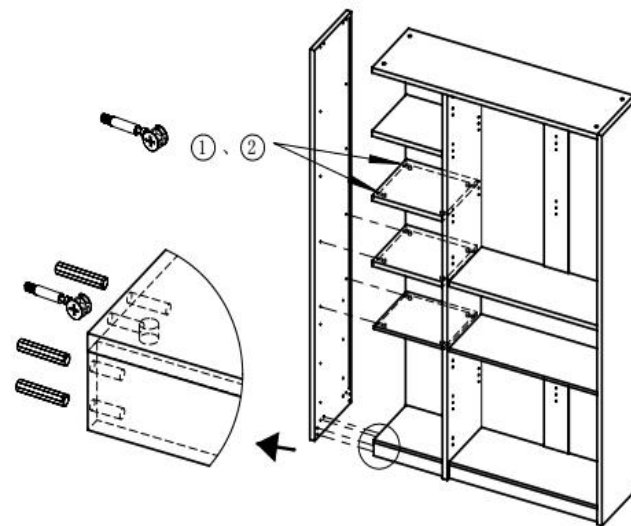
9、 The 21 is connected to the cabinet with ①, ② and ⑩.
 Note: The cabinet can be put down to fix the buckle wheel under the 3.



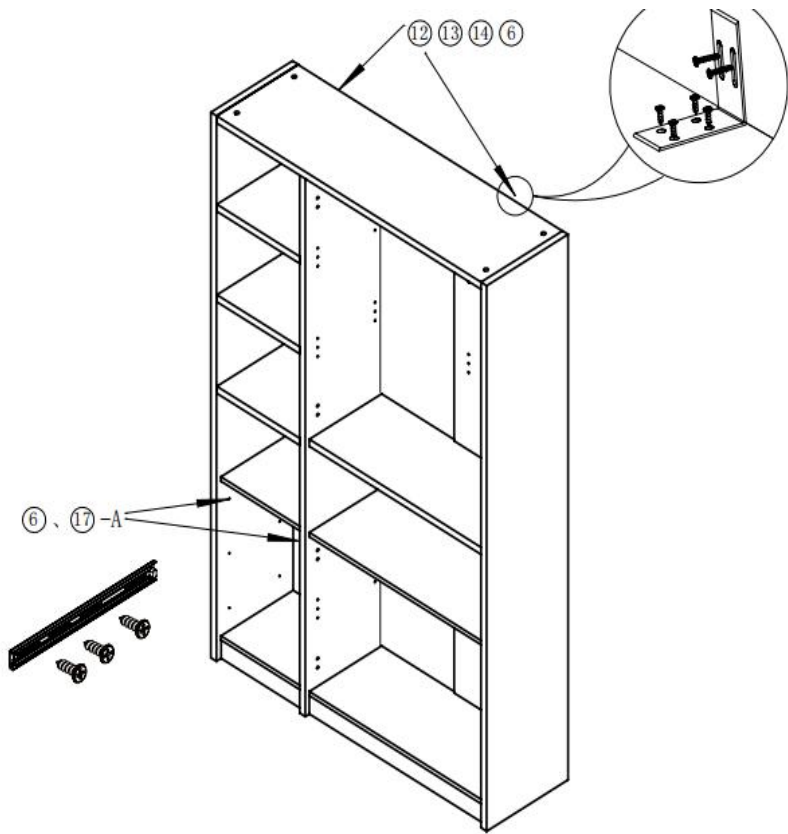
11. Insert the 25, then connect the 26, 24 to the 1 with ① and ②.



10、 a. The 22 and 23 are connected to the 1 with ⑩.
 b. The 19 is connected with the 1 by ①, ② and ⑩.
 Note: The cabinet can be put down to fix the buckle wheel under the 3.



12. Connect the 20 to the cabinet body by using ①, ② and ⑩.

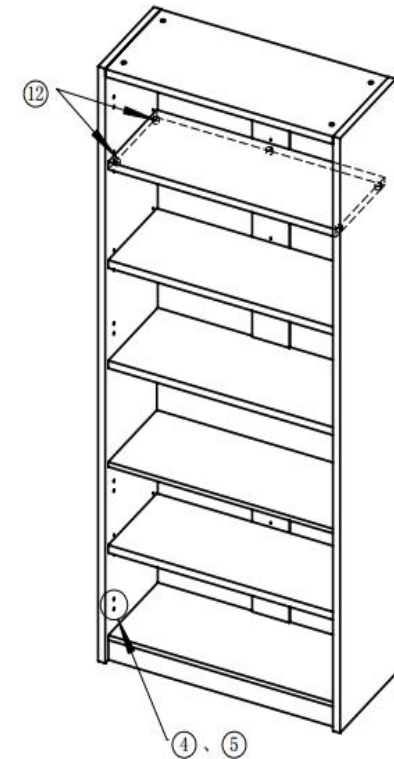
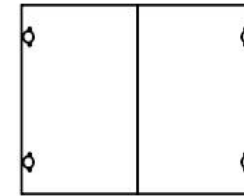
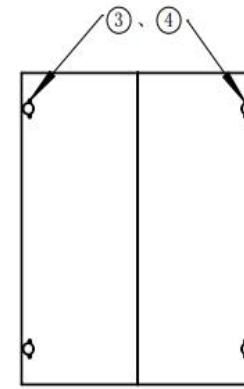


13、 a. Install three pairs of sliding rail (17)-A on the inner side of the 1 and 20 by using (6).

b. Installation guide of fixed parts:

1. Move the molding cabinet (without the door panel) to the installation position, and press the (12) four-hole surface close to the 5. And perpendicular to the wall, confirm the connection hole position of the pilot hole, then move the cabinet body;
2. Drill holes in the wall ($\phi 10$ deep 50mm), and pre-bury the (13), using (14) to fix the (12) on the wall;
3. Move the cabinet to the designated position, and connect the cabinet to (12) with (6)

(Note: M4*30 cross countersunk self-tapping nails installed on the wall are not tightened first, convenient to adjust the position of the cabinet, After installation, fasten the nails)



14、

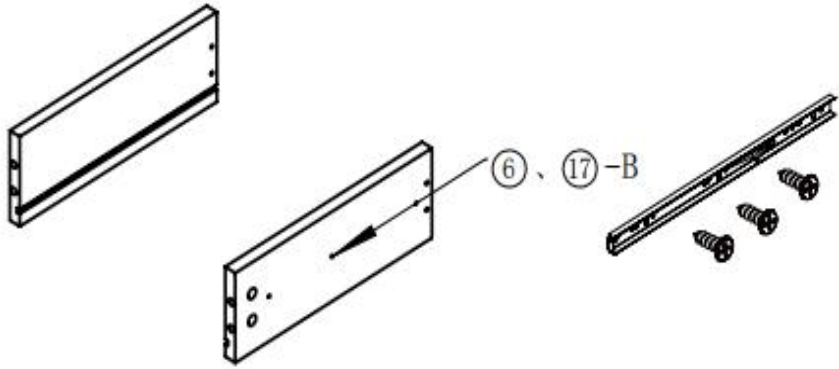
a. Install the (15) in the corresponding positions of the 1,20,21, and then place the 19 in turn (as shown in the picture).

When installing the door panel, you can first remove the 19, and then put it on after the door panel is installed.

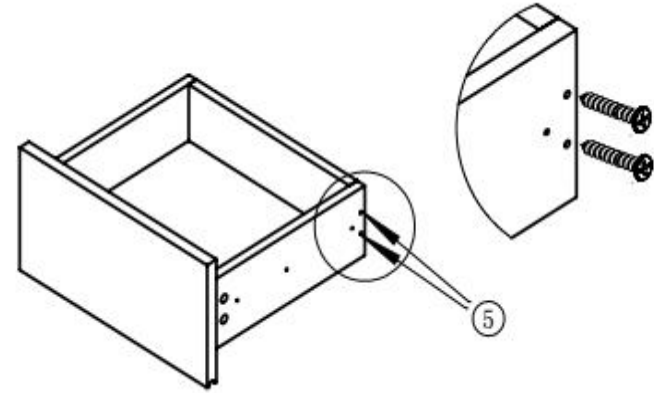
b. Each (7) use two (8) Installed in the corresponding position of the door panel;

c. Each hinge are connected with the side plate by two (8) and two (9).

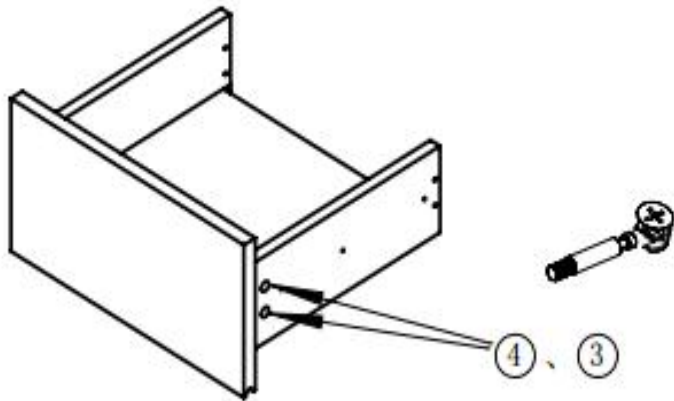
(Note: Install the two nickel-plated screws on the corresponding rubber plug holes, and then tighten the self-tapping nails)



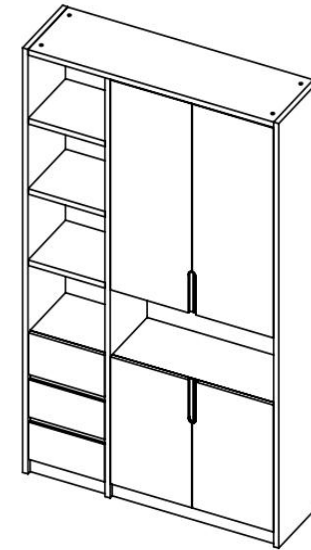
15、 Install the sliding rail ⑰-B on the 27 and 28 using ⑥.



17、 use ⑤ to connect and fixed 27,28 and 29.

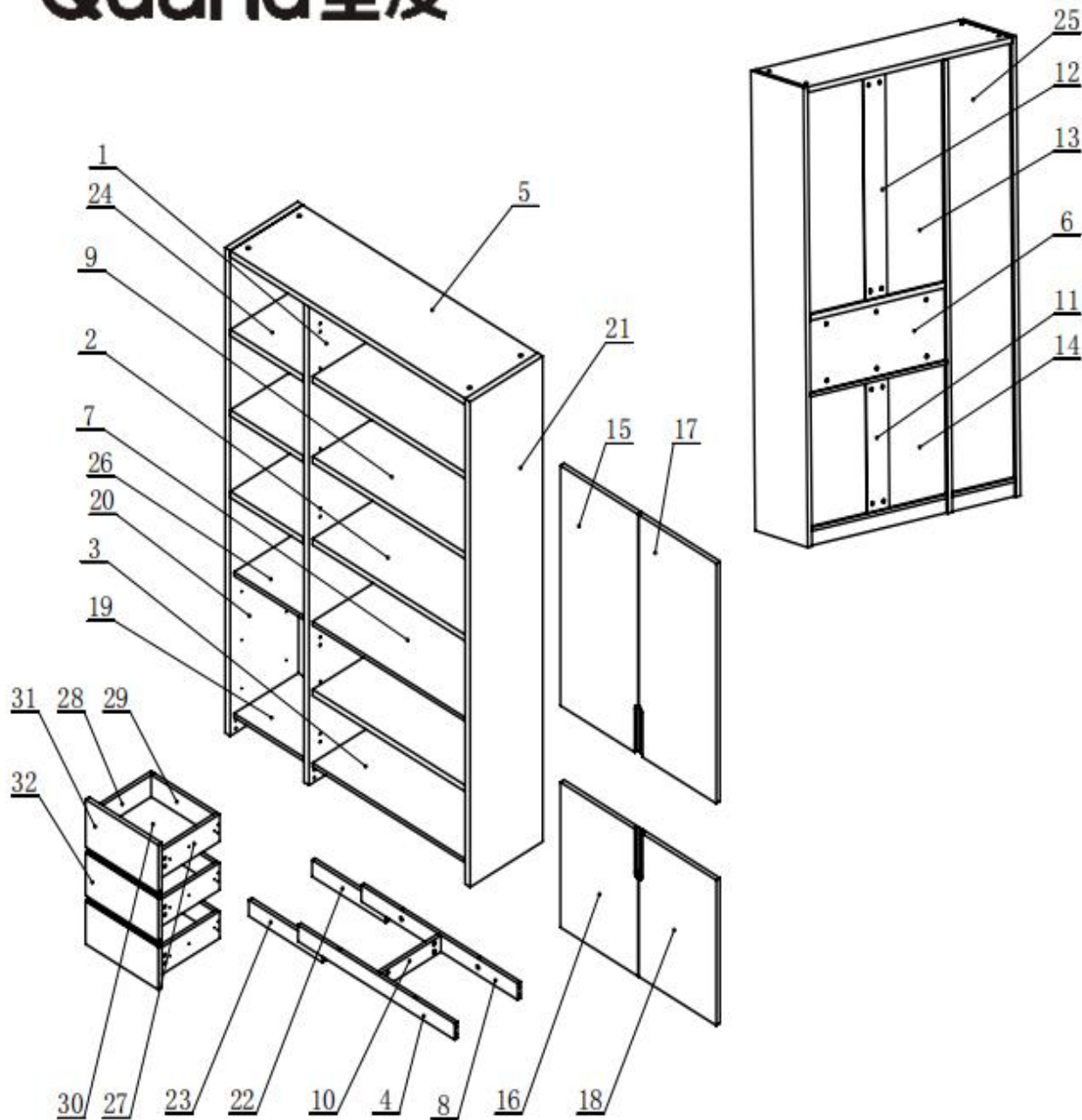


16、 the 27 and 28 adopts ④ and ③ connected and fixed on the 31 and 32, and inserted the 30;




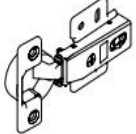















18、 fastener holes pasted ⑱, insert the drawer, adjust the distance between the drawer and the door panel to 2mm, the installation is complete

Quanu全友



Itme	Name	Spec.	Qty
1	Latus inframedium	1906X302	1
2	The upper middle separation board	785X344	1
3	Base plate	785X344	1
4	Front Pulling strip	785X65	1
5	Top plate	1179X363	1
6	Backplane	785X305	1
7	The lower middle separation board	785X344	1
8	Back Pulling strip	785X65	1
9	Removable plate	785X317	3
10	Middle Pulling strip	302X65	1
11	Lower backing strip	548X128	1
12	Upper backing strip	933X128	1
13	Upper backplane	941X337	2
14	Lower backplane	556X337	2
15	Upper left door panel	955X389	1
16	Lower left door panel	578X389	1
17	Upper right door panel	955X389	1
18	Lower right door panel	578X389	1
19	Small Base plate	365X344	1
20	The left side plate	1932X364	1
21	The right side plate	1932X364	1
22	Short Back Pulling strip	369X65	1
23	Short Front Pulling strip	369X65	1
24	Small septum	369X340	3
25	The Left backplane	1834X377	1
26	Top plate of the drawer surface	369X322	1
27	The right drawer side	300X108	3
28	The left drawer side	300X108	3
29	Drawer end	313X108	3
30	Drawer bottom	321X293	3
31	Upper drawer surface	365X190	1
32	Lower drawer surface	365X190	2

Hardware List

No.	Name	Picture	Qty.	No.	Name	Picture	Qty.	No.	Name	Picture	Qty.
①	Large tapping buckle bar		60	⑦	Embedded hydraulic hinge large base four holes		8	⑬	Expansion rubber plug		4
②	Large buckle wheel		60	⑧	M4*12 cross countersunk head nickeled screw		32	⑭	M4*30 cross countersunk head tapping screw		4
③	Small tapping buckle bar		12	⑨	M4*14 cross countersunk head tapping screw(nickeled)		16	⑮	Plane fittings		15
④	Small buckle wheel		12	⑩	8*35 Wood tip		28	⑯	Furniture sticker		18
⑤	M3*30 cross countersunk head tapping screw		12	⑪	Diameter 16 rubber foot nails		8	⑰	300MM three-section rail (width 36mm)		3
⑥	M3.5*14 cross countersunk head tapping screw		44	⑫	80*80 Angle iron		2				