
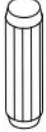

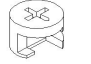







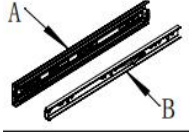
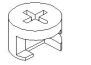



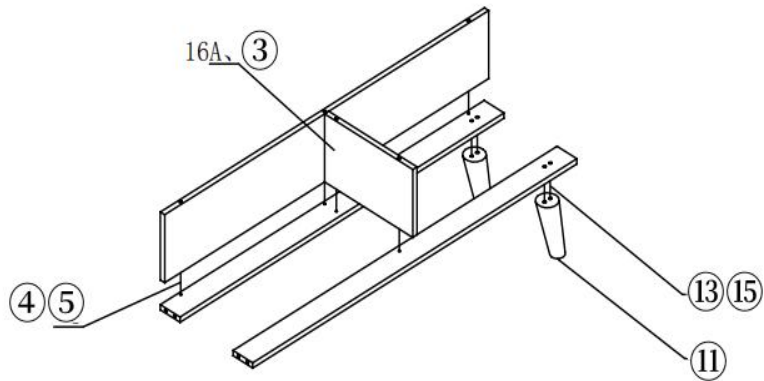


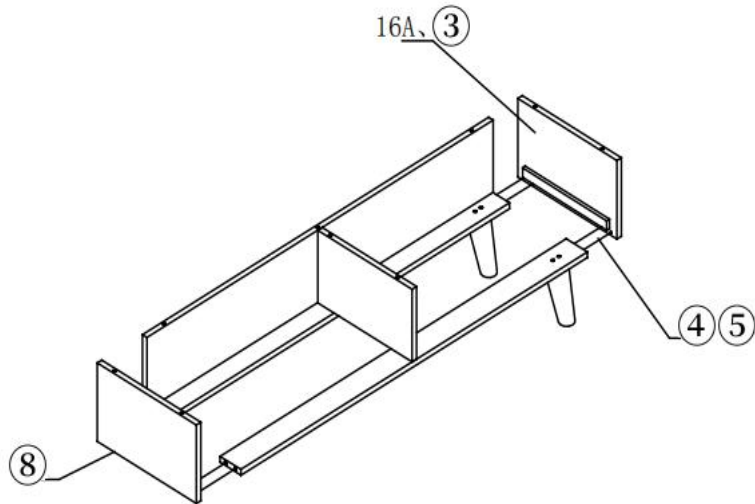
Item	Name	Spec.(L*W*T)	Qty
1	Top plane	1296*348*18	1
2	Base plate	1096*348*25	1
3	Decorative plate A	225*80*15	1
4	Decorative plate B	328*225*15	1
5	Decorative plate C	225*225*15	1
6	Middle Top plane	1186*346*15	1
7	Side plate	329*208*15	a pair
8	Center upright plate	313*192*15	1
9	Front brace	1153*70*15	1
10	Back brace	1153*70*15	1
11	Backplane	1153*192*15	1
12	Drawer surface	591*204*15	a pair
13	Drawer side	285*118*15	4
14	Drawer end	543*118*15	2
15	Drawer bottom	523*295*5	2
16	Handle	80*17*20	2
17	Leg A	76*50*140	4
18	Leg B	78*52*169	2
19	Middle Support leg	40*40*130	1
20	Glass top	1300*350*5	1

## Hardware List

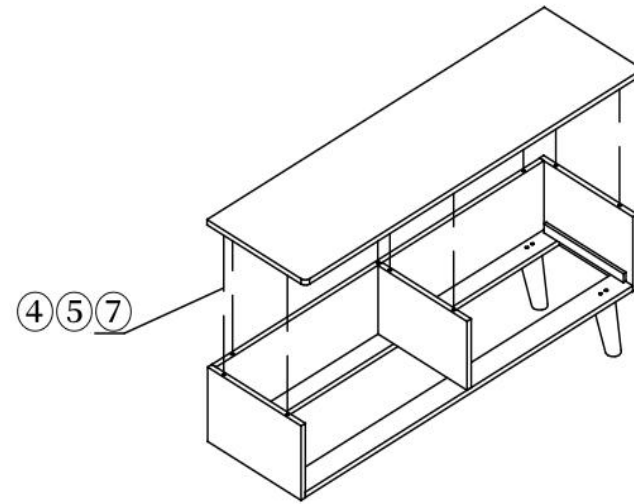
No.	Name	Picture	Qty.	No.	Name	Picture	Qty.	No.	Name	Picture	Qty.
①	Small tapping buckle bar Φ12		17	⑦	Wood tip		11	⑬	M6*35 cross screw		11
②	Small buckle wheel Φ12		17	⑧	Small transparent rubber plug		3	⑭	Adjusting pin		1
③	M3.5*14 cross countersunk head tapping screw		17	⑨	Galvanized plate		5	⑮	Dia. 6mm flat washer		11
④	Large tapping buckle bar Φ15		27	⑩	M4*16 cross countersunk head tapping screw		36	⑯	three-section rail		2
⑤	Large buckle wheel Φ15		27	⑪	Furniture glide		7				
⑥	Transparent rubber pad Φ15		11	⑫	Comes with cushion handle screw		5				



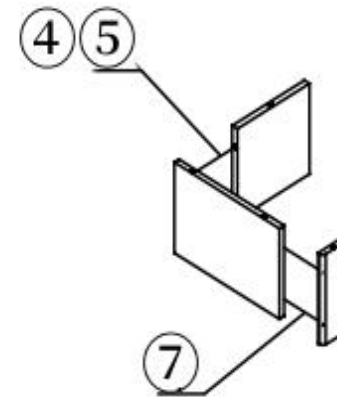
- 1、 a. The 11 and 8 adopts ④ and ⑤ to connect the 9 and 10;
- b. Install ⑪ at the bottom of 18 first, then connect it to the 9 and 10 using ⑬ and ⑮;
- c. Install the slide ⑯-A on the side of 8 using ③.



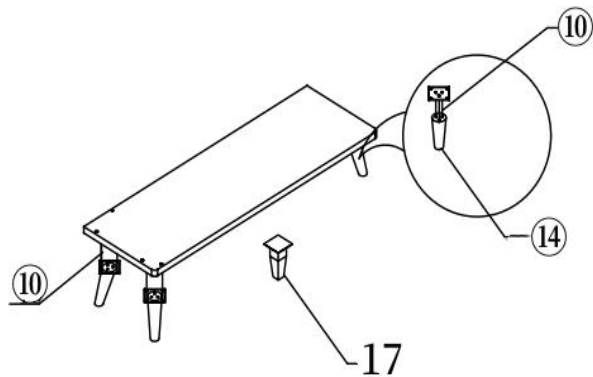
- 2、 a. Use ④ and ⑤ to connect the 7 with the 9 and 10.
- b. Install the slide ⑯-A on the inside of the 7 with ③.
- c. Install ⑧ at the bottom of the 7;



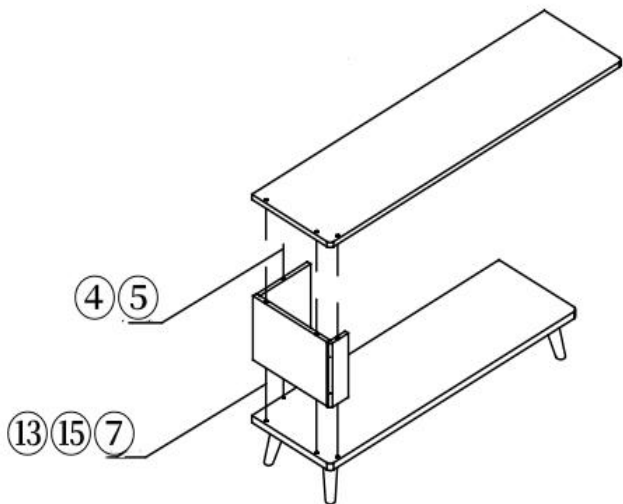
- 3、 The 6 adopts ④, ⑤ and ⑦ to connect the 7, 11 and 8.



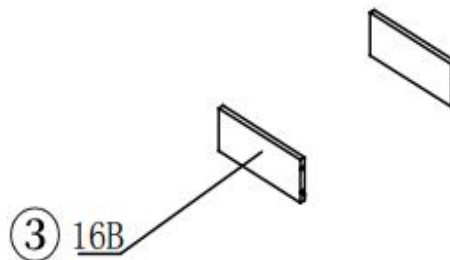
- 4、 a. Use ④ and ⑤ to connect the 4 and 5.
- b. Use ⑦ to connect the 3 and 4.



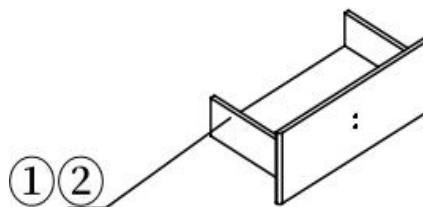
- 5、  
 a. Connect the ⑨ with 17 and 19 by using ⑩.  
 b. Use ⑪ and ⑭ fix on the bottom of 17 and 19 respectively; c. Connect the 17 and 19 to the 2 using ⑩;



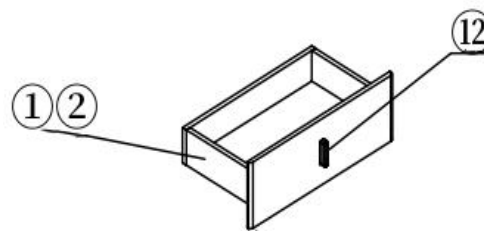
- 6、  
 a. The 3 and 4 adopts ⑬, ⑮ and ⑦ to connect the 2 and 1.  
 b. Use ④ and ⑤ to connect the 5 with the 2 and 1.



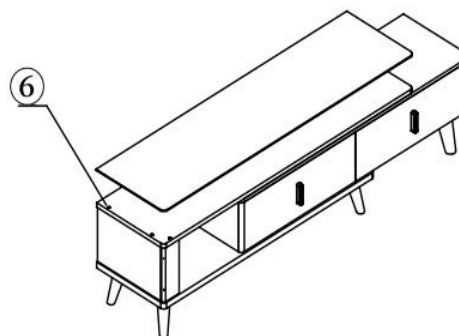
- 7、  
 Use ③ to install slide ⑯-B on the outside of the 13.



- 8、  
 The 13 adopts ② and ① to connect and fixed the 12, then insert the 15.



- 9、  
 a. The 14 adopts ① and ② to connect and fixed the 13.  
 b. The 16 is installed with the ⑫ on the 12.



- 10、  
 a. Paste ⑥ evenly on the 1 first, and then place the 20 to adjust the spacing between the left and right front and back;  
 b. Insert the drawer, adjust the spacing between the drawer surfaces.  
 installation complete.