













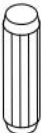










Itme	Name	Spec.	Qty
1	Movable cabinet Top plane	1800X394	1
2	Movable cabinet Left side plate	278X393	1
3	Movable cabinet Base plate	278X376	1
4	Movable cabinet middle side plate	1800X394	1
5	Movable cabinet backplane	278X393	1
6	Movable cabinet Right side plate	278X393	1
7	Left drawer surface	633X286	1
8	The right drawer side	697X278	1
9	The left drawer side	424X286	1
10	Drawer end	293X576	2
11	Drawer bottom	300X88	2
12	Right drawer surface	300X88	2
13	Short pulling strip	568X88	2
14	Main cabinet Top plane	621X126	1
15	Main cabinet Left side plate	520X272	1
16	Main cabinet Base plate	697X358	1
17	Main cabinet Right side plate	621X126	1
18	Main cabinet Door panel	620X60	1
19	Main cabinet left backplane		
20	Main cabinet Clapboard		
21	Long pulling strip		

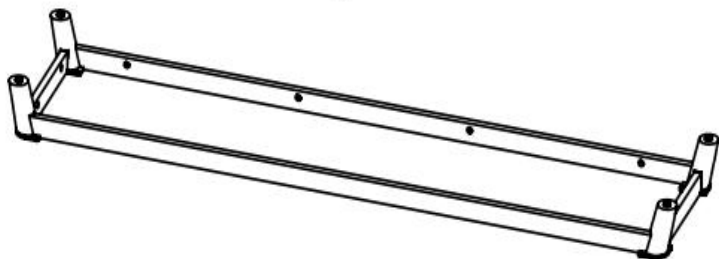
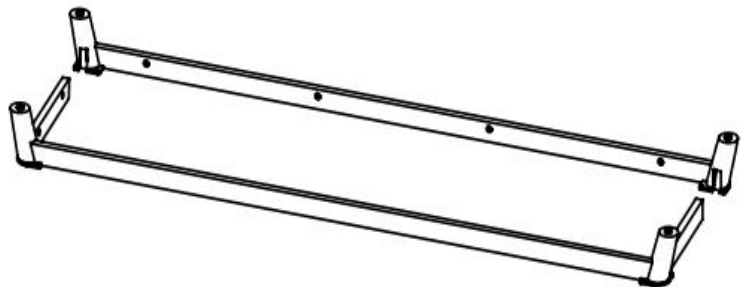
17、

a. Exposed hole paste ⑩.

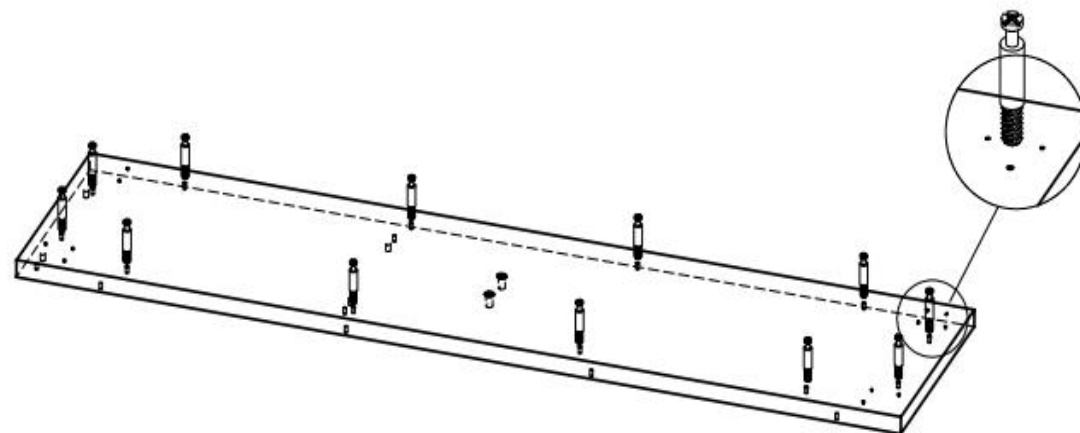
b. Insert the drawer, adjust the distance between the drawers to 2mm, the installation is complete.

Hardware List

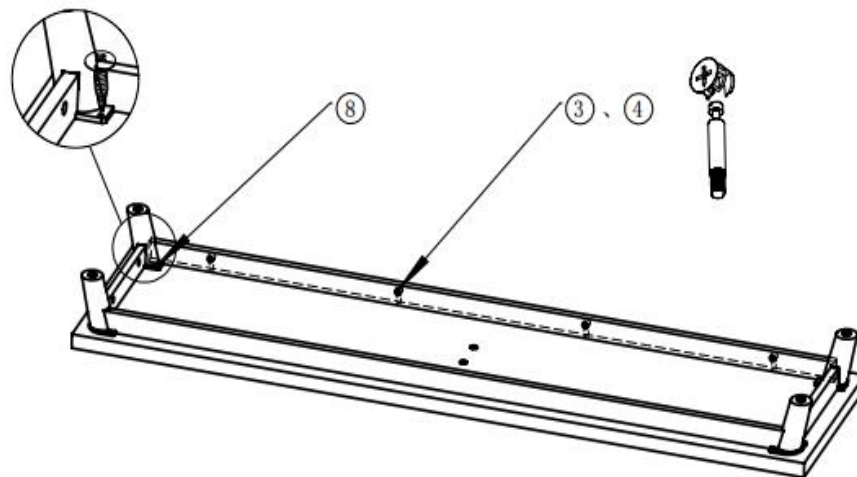
No.	Name	Picture	Qty.	No.	Name	Picture	Qty.	No.	Name	Picture	Qty.
①	Large tapping buckle bar		34	⑨	M4*25 cross countersunk head galvanized screw		2	⑰	Single hole handle		2
②	Large buckle wheel		34	⑩	Diameter 4 concave pad		2	⑱	250MM three-section rail (Width 36mm)(Black)		2
③	Small tapping buckle bar		20	⑪	M4*12 cross countersunk nickel plated screw		12	⑲	Left leg		2
④	Small buckle wheel		20	⑫	M4*14 cross countersunk self-tapping nails (nickel-plated)		12	⑳	Right leg		2
⑤	8*35 Wood tip		16	⑬	M8*20 cross round head galvanized screw		2	㉑	Adjustable support leg		1
⑥	M3*30 cross countersunk head tapping screw		8	⑭	Dia. 8mm flat washer		2	㉒	Embedded hydraulic hinge large base four holes		2
⑦	M3.5*14 cross countersunk head tapping screw		24	⑮	Dia. 8mm spring pad		2	㉓	Wood leg		2
⑧	M4*16 cross countersunk head tapping screw		20	⑯	Furniture sticker		8				



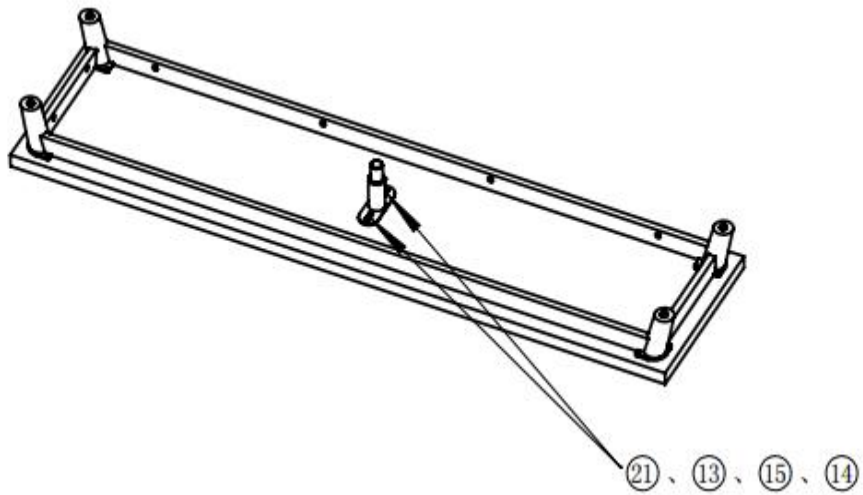
1、 Install the ⑱, ⑳, 13 and 21 as shown in the figure.
(Left and right leg are placed diagonally as shown)



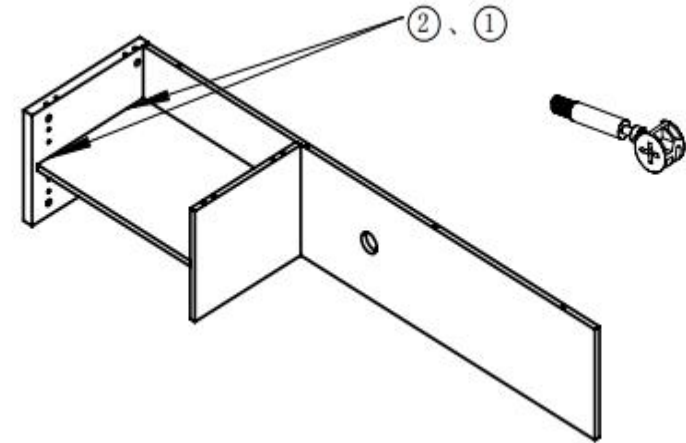
2、 Fix the ③ on the 16 (do not use the ④ temporarily), and install the ③ symmetrically before and after



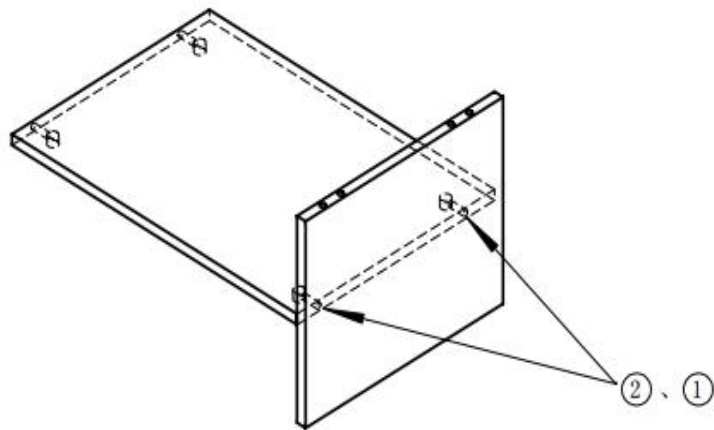
3、 Place the assembled parts as the position shown in the figure (the 13 and 21 are not fixed at this time, you can adjust the 13 and 14 position convenient for the pin holes to be aligned), and then the leg are connected and fixed on the 16 by using ⑧. Finally, the ③ on the 13 and 14 are tightened with ④.



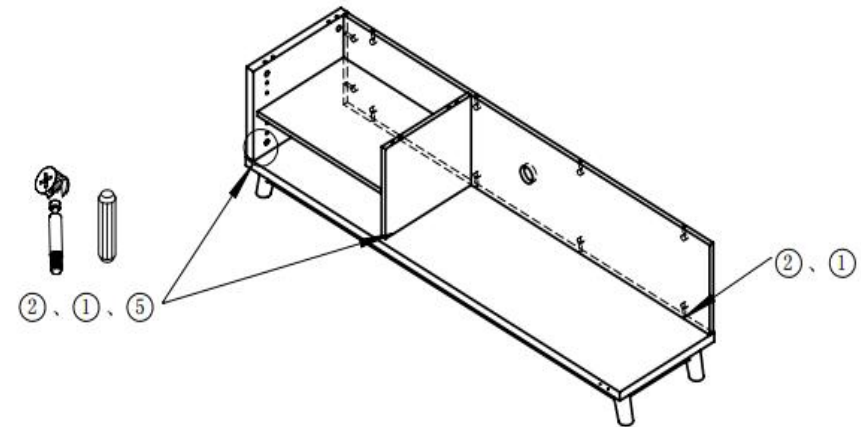
4、 The 21 is connected and fixed under the 16 using 13, 15 and 14. Ensure that the height of all the leg are same.



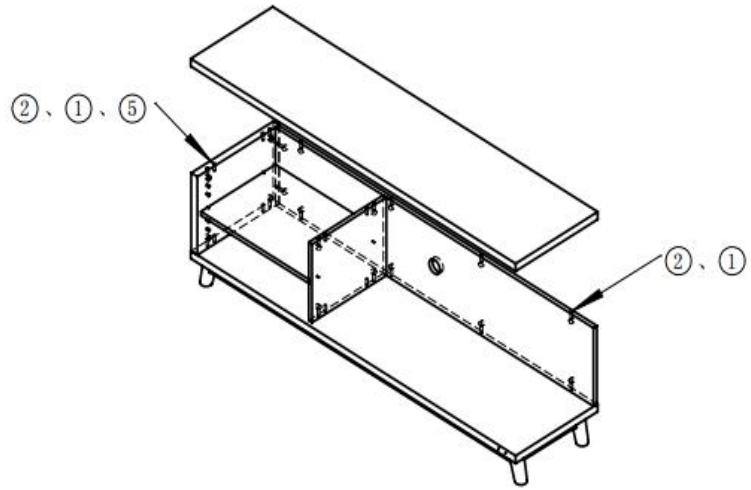
6、 The 15 adopts the 2 and 1 to connect to the 19 and 20.



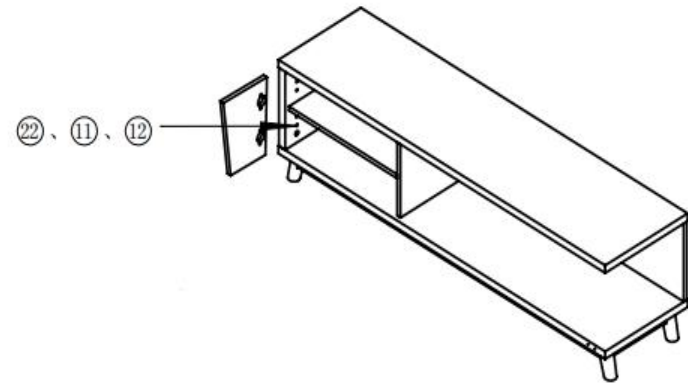
5、 The 17 is connected to the 20 with 2 and 1.



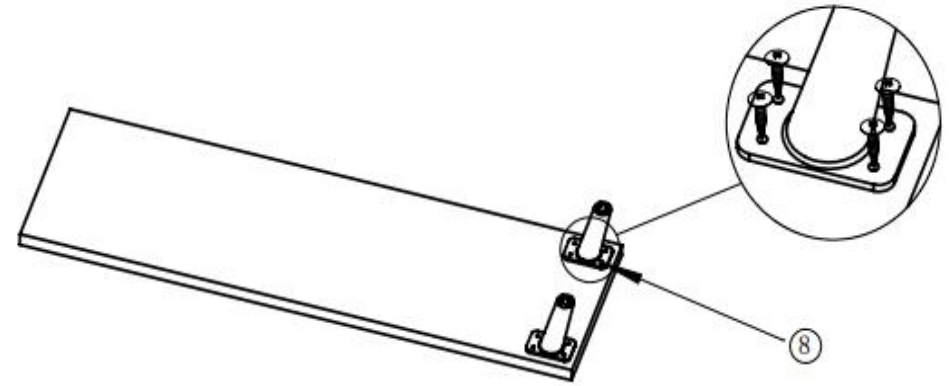
7、
 a. The 15 and 17 are adopts 2, 1 and 5 to Connect to the 16.
 b. The 19 adopts 2 and 1 to connect to the 16.



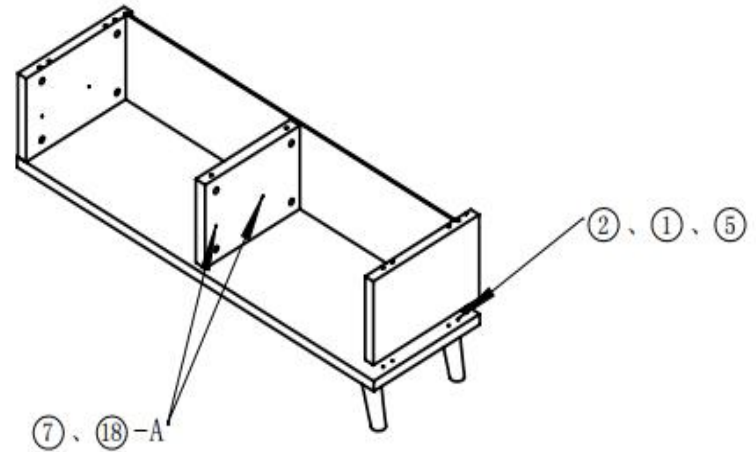
- 8、 a. The 15 and 17 are adopts ②,① and ⑤ to Connect to the 14.
 b. The 19 adopts② and ① to connect to the 14.



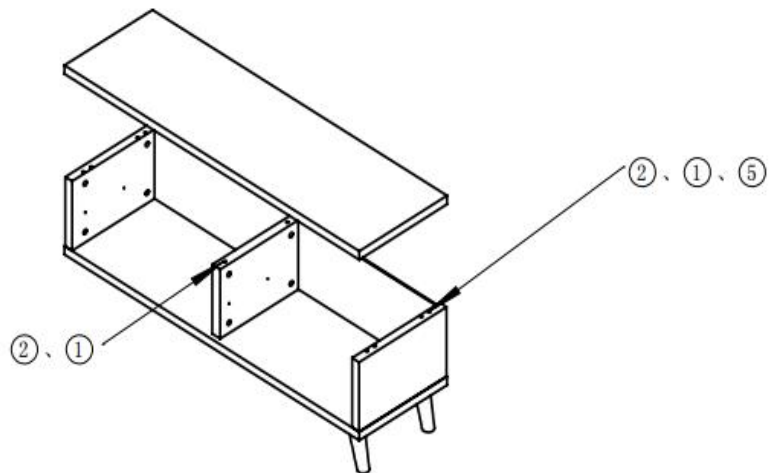
- 9、 The ②② using ①① installed in the corresponding position of the 18 first,Then connect with the corresponding side plate with ①① and ①②.
 (Note: When connecting the cabinet with hinges, install the screw on the corresponding rubber plug hole first. Then fixed with self-tapping nails)



- 10、 As shown in the figure, the ②③ is connected and fixed on the 3 by using ⑧.



- 11、 a. Use ⑦ to install rail ⑱-A on the corresponding positions of the 2,4 and 6.
 b. The 4 adopts ② and ① to connect to the 3.
 c. The 2 and 6 adopts ②,① and ⑤ to connect to the 3.

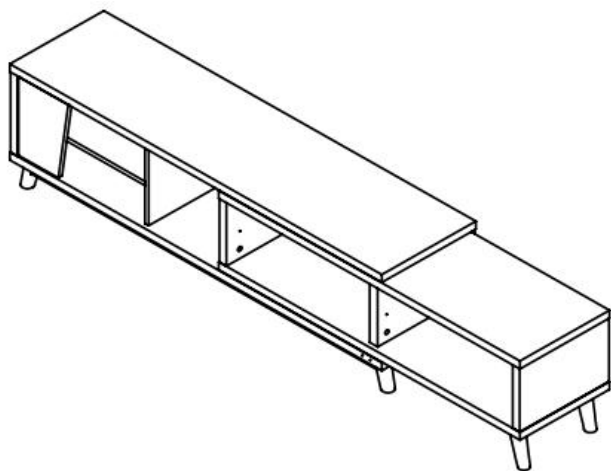


12、

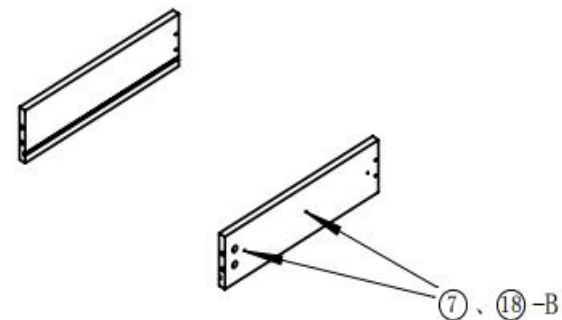
a. Insert 5.

b. The 1 is connected to the 2 and 6 with ②, ① and ⑤.

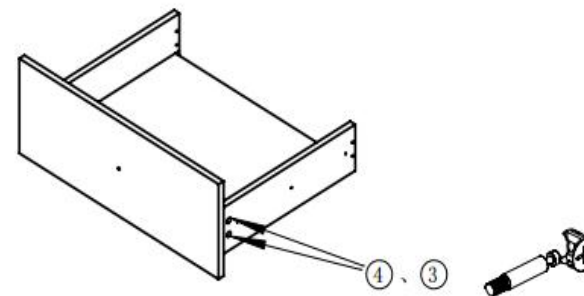
c. The 1 is connected to the 4 with ② and ①.



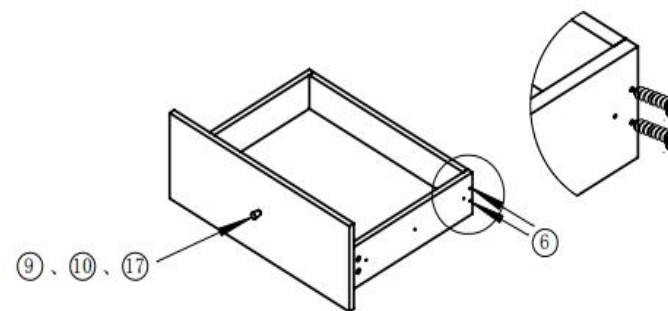
13、 Put the Movable cabinet into the main cabinet of the TV cabinet (as shown in the picture)



14、 Use ⑦ to install the rail ⑱-B on the outside of the 8 and 9



15、 the 8 and 9 are connected by ④ and ③ Fix the 7 and 12, then insert the 11.



16、 using ⑥ to connect and fixed 8,9 and 10. The ⑰ adopts ⑨ and ⑩ to connect to the 7 and 12.