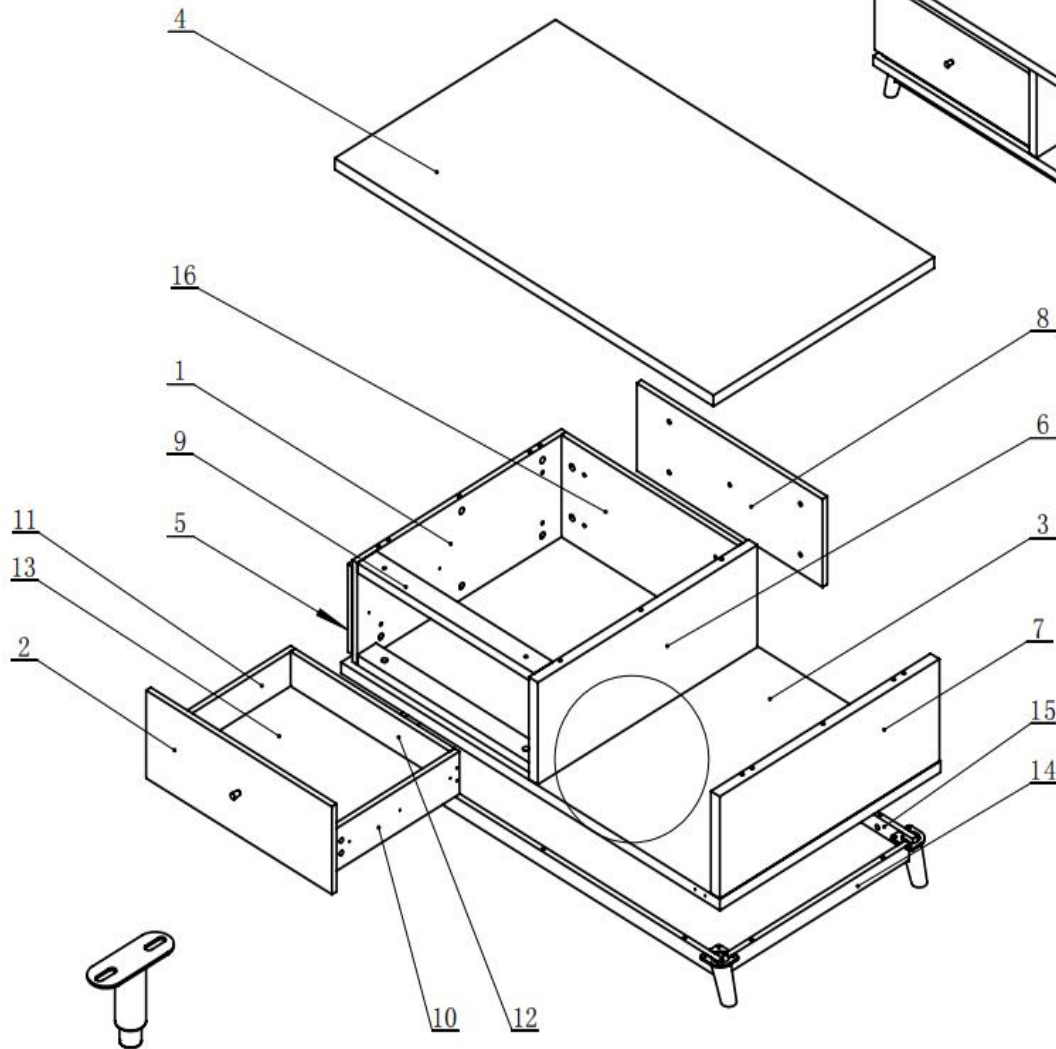
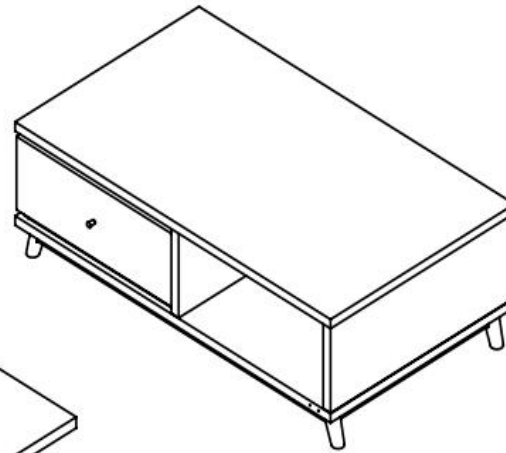
























QUANU全友

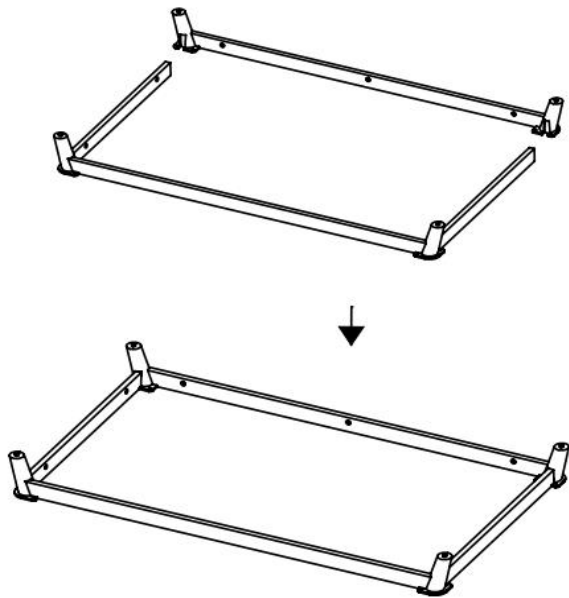


Item	Name	Spec.	Qty
1	Left side plate	528X596	1
2	Drawer surface	278X598	1
3	Base plate	278X598	1
4	Top plane	278X598	1
5	Left Decorative board		4
6	Middle side plate		1
7	Right side plate	625X278	1
8	Fake drawer surface	1200X600	1
9	Check rail	1200X600	1
10	The right drawer side	400X88	2
11	The left drawer side	400X88	2
12	Drawer end	568X88	2
13	Drawer bottom	393X577	2
14	Short pulling strip	621X126	2
15	Long pulling strip	621X126	1
16	Fake drawer surface baff	621X126	1

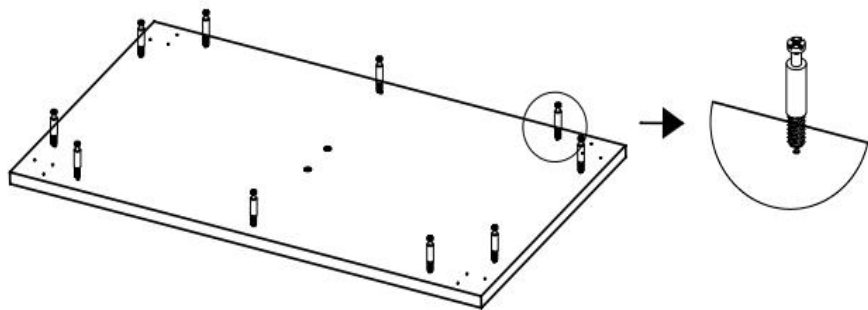
14、
the fastener hole pasted (16), Insert the drawer, adjust the distance between the drawers to 2mm, the installation is complete.

Hardware List

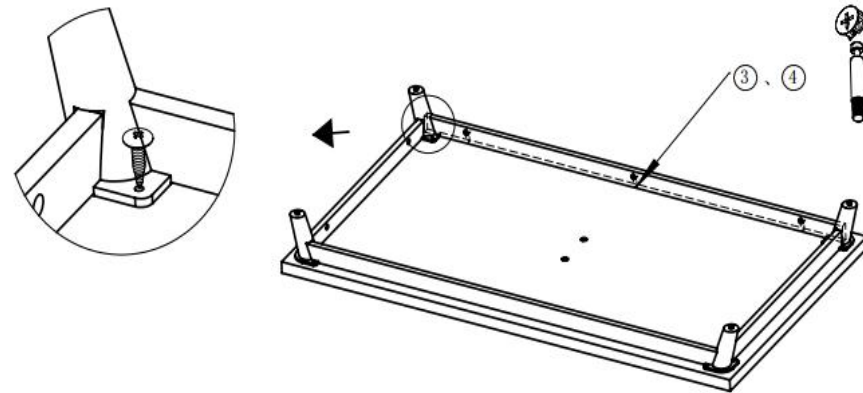
No.	Name	Picture	Qty.	No.	Name	Picture	Qty.	No.	Name	Picture	Qty.
①	Large tapping buckle bar		22	⑨	M4*25 cross countersunk head galvanized screw		1	⑰	Single hole handle		2
②	Large buckle wheel		22	⑩	Diameter 4 concave pad		1	⑱	400MM three-section rail (width 36mm)		1
③	Small tapping buckle bar		14	⑪	M6*25 cross chamfered galvanized screw		12	⑲	Left leg		2
④	Small buckle wheel		14	⑫	Dia. 6mm flat washer		12	⑳	Right leg		2
⑤	8*35 Wood tip		8	⑬	M8*20 cross round head galvanized screw		2	㉑	Adjustable support leg		1
⑥	M3*30 cross countersunk head tapping screw		4	⑭	Dia. 8mm flat washer		2	㉒	M4*20 cross countersunk head galvanized screw		1
⑦	M3.5*14 cross countersunk head tapping screw		12	⑮	Dia. 8mm spring pad		2				
⑧	M4*16 cross countersunk head tapping screw		12	⑯	Furniture sticker		6				



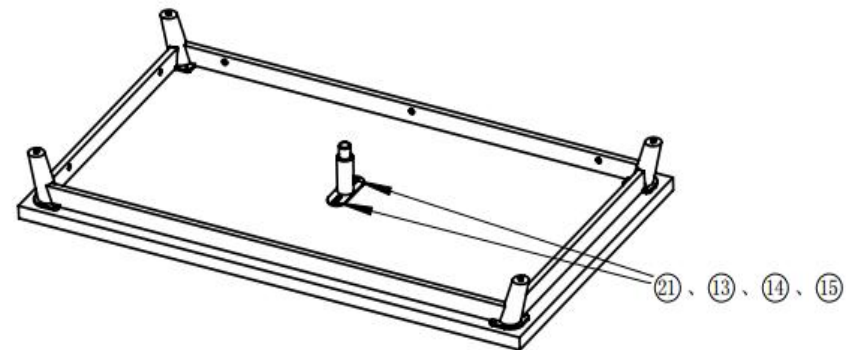
1、 the leg and 14 installation as shown in the figure (left and right leg diagonally placed)



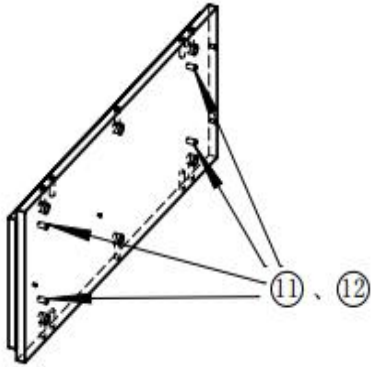
2、 Fix the ③ on the 3 (do not tighten the ④ temporarily), and install the buckle symmetrically before and after



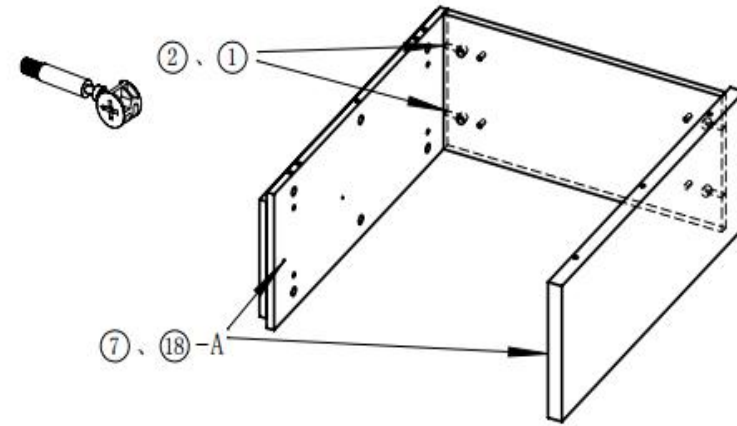
3、 Put the combined leg and 14,15 in the position shown in the figure (the 14 and 15 are not fixed at this time, and the 14 and 15 can be adjusted, The position is convenient for the holes to be aligned), and then the leg Connect and fix on the 3 by using ⑧, and finally the ③ on the 14 and 15 tightened with the ④.



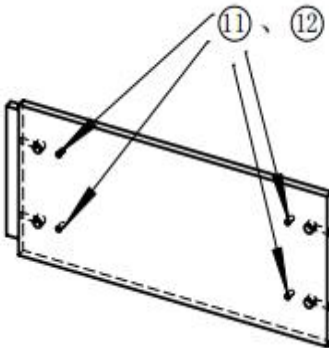
4、 The adjust leg ②① adopts ⑬,⑭ and ⑮ to connected and fixed under the 3.



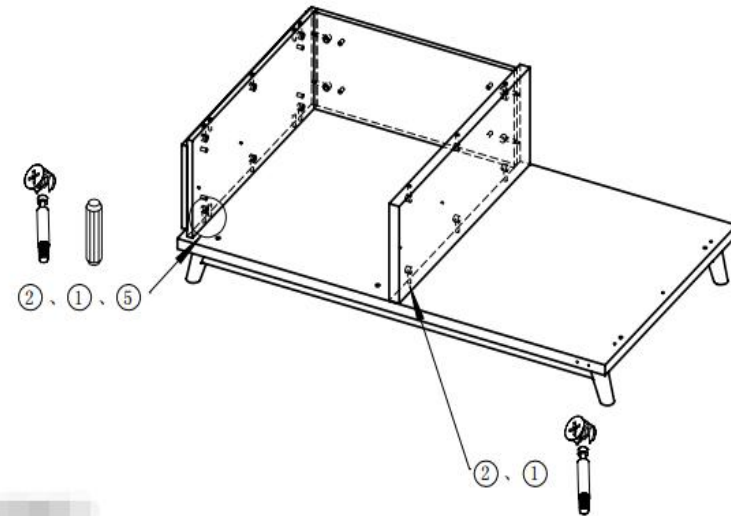
5、
the 1 adopts ⑪ and ⑫ to connect
the 5.



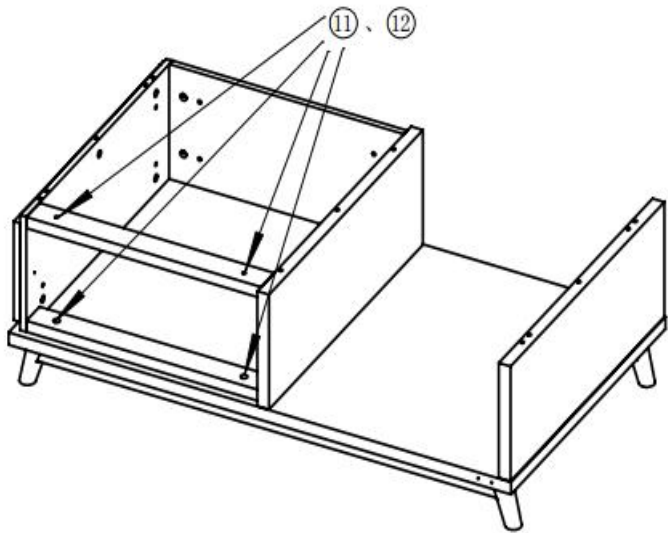
7、 a. Install rail ⑱-A on the inside of the 1 and 6 with ⑦.
b. The 16 is connected and fixed respectively with the 1 and 6
using the ② and ①.



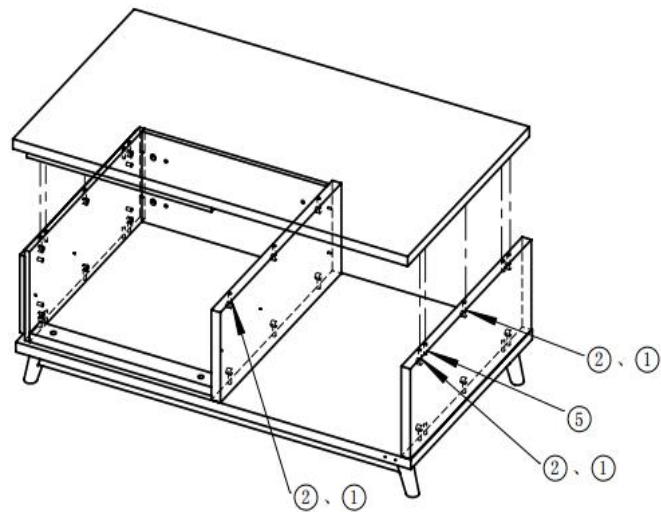
6、 a. The ⑰ Use ⑳ to connected to the 8.
b. The 16 adopts ⑪ and ⑫ to connected
with the 8.



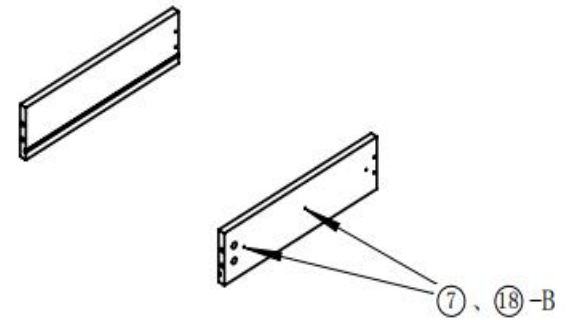
8、
At the same time, the 1 adopts ②, ① and ⑤, and the 6 adopts
② and ① to connect to the 3.



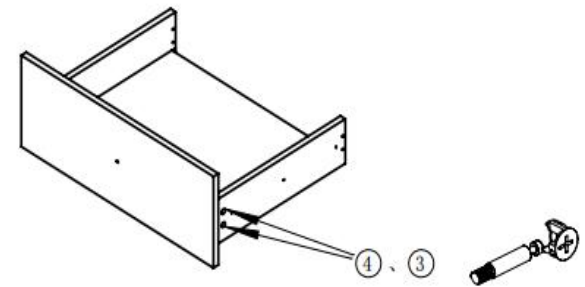
9、 The 9 use ⑪ and ⑫ are installed on the 3 and 4.



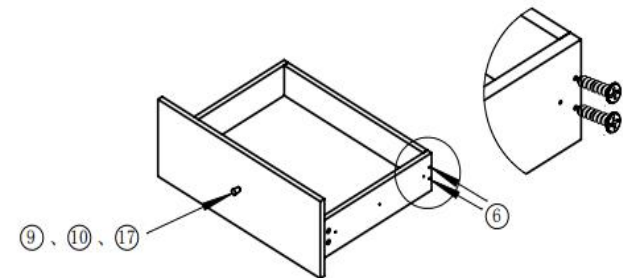
10、 the 4 adopts ②, ① and ⑤ to connect and fixed on the cabinet.



11、 Install rail ⑱-B on the outside of the 10 and 11 by using ⑦.



12、 the 10 and 11 are connected by ④ and ③ to Fix the 2, then insert the 13.



13、 Use ⑥ to connect and fix the 10, 11 and 12. ⑨ and ⑩ are used to connect the ⑰ on the 2.