
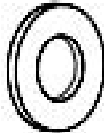











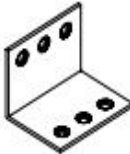
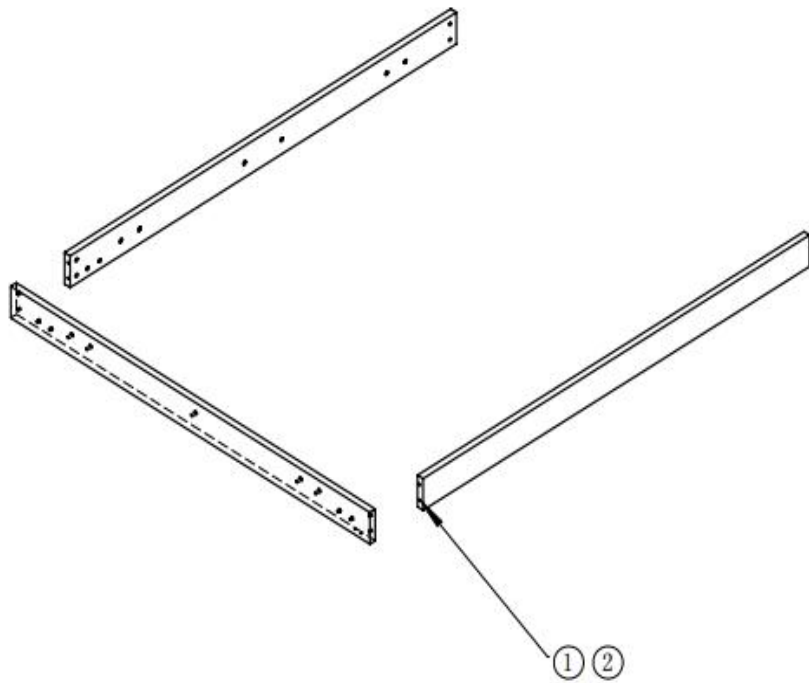
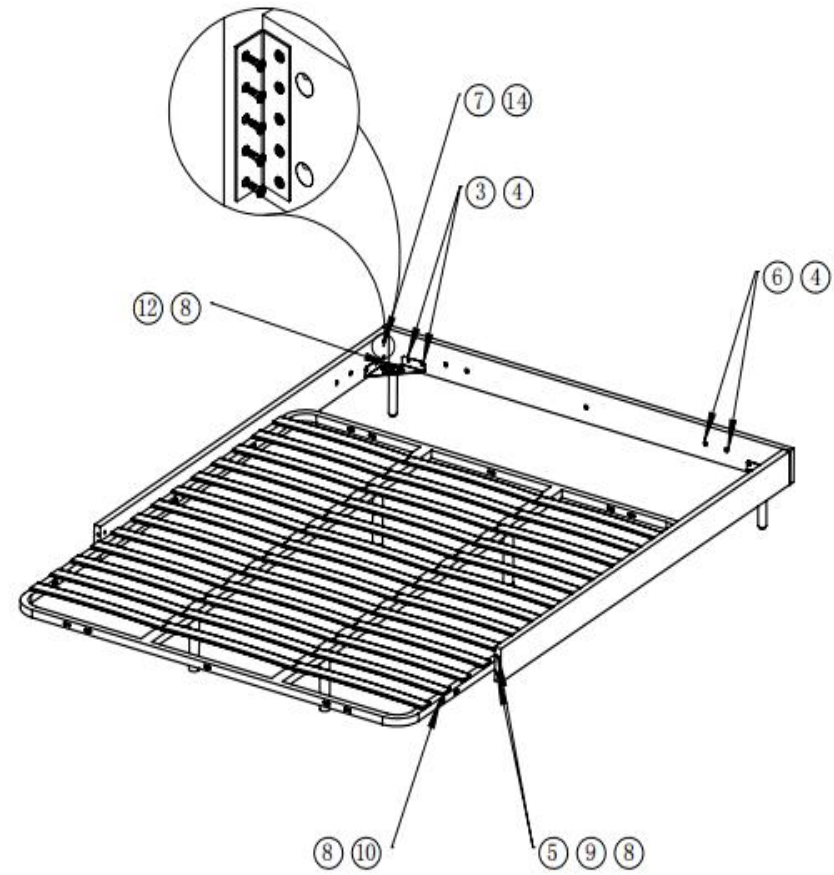


Hardware List

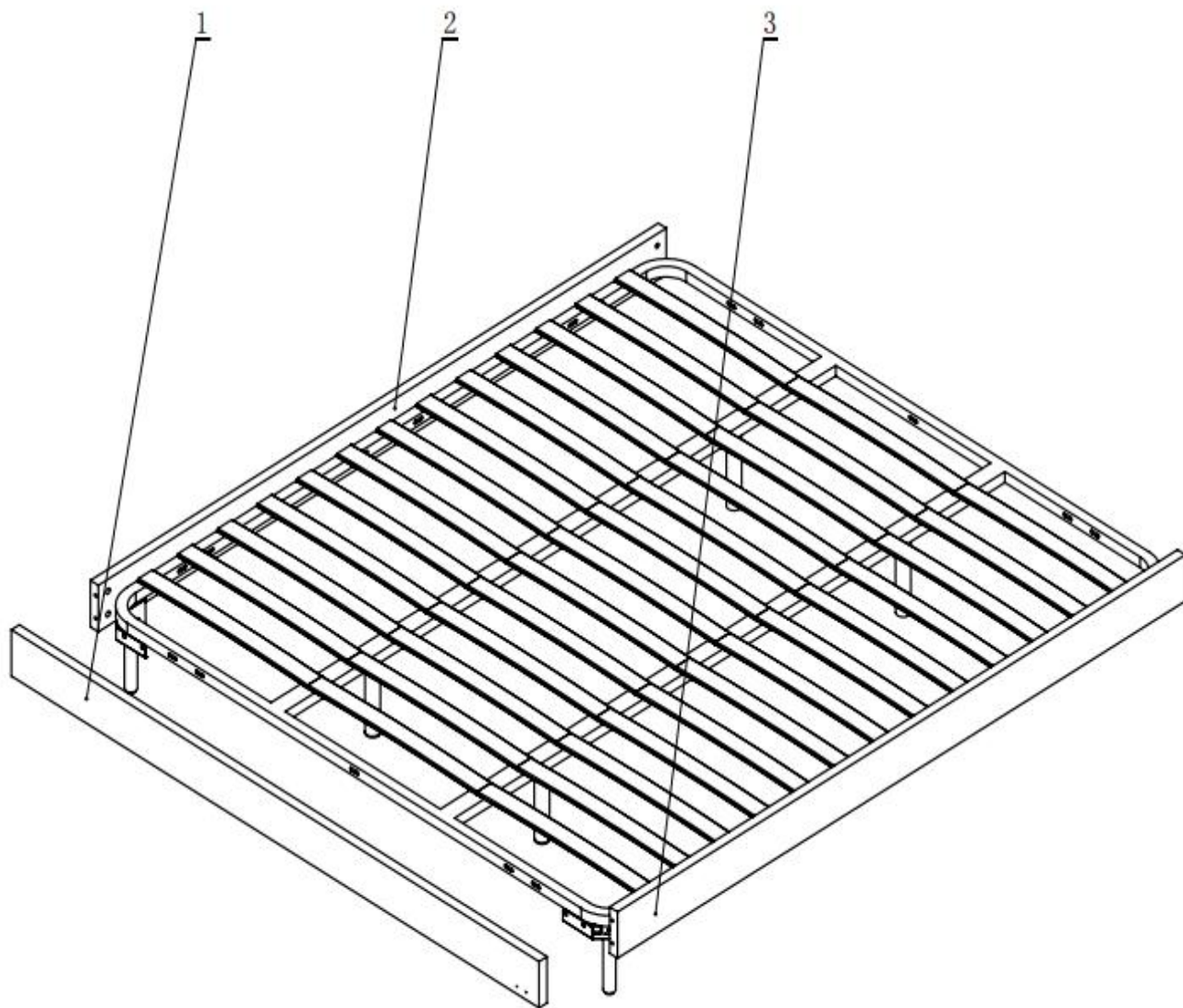
No.	Name	Picture	Qty.	No.	Name	Picture	Qty.
①	Lengthening big buckle bar		4	⑧	Dia. 8mm flat washer		18
②	Large buckle wheel		4	⑨	M8 load binder		4
③	M6*12 cross round head galvanized screw		8	⑩	M8*50 cross round head galvanized screw		12
④	Dia. 6mm flat washer		18	⑪	Iron triangle		2
⑤	M8*70 cross round head galvanized screw		4	⑫	M8*20 cross round head galvanized screw		2
⑥	M6*45 cross chamfered galvanized screw		10	⑬	Leg		2
⑦	M4*16 cross countersunk head self-tapping nail		20	⑭	Galvanized steel Angle iron		2



1、 The 1 adopts ① and ② to connect the 2 and 3.




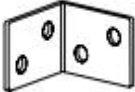

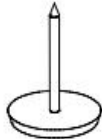


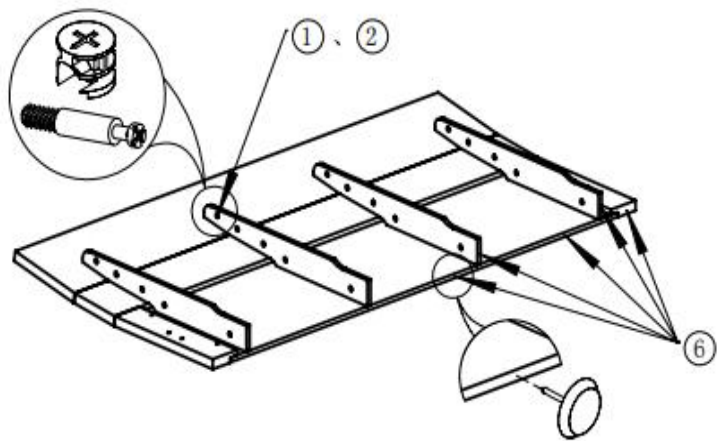
- 2、
- a. The ⑪ adopts ③ and ④ to connect the 1,2 and 3. The ⑭ are fixed at the 1,2 and 3 by ⑦ respectively. As shown in the figure, The 1 adopts ⑭ and ⑦ to reinforce the 2 and 3.
 - b. The ⑪ adopts ⑫ and ⑧ to connect the ⑬.
 - c. The bed frame adopts ⑩ and ⑧ to connect the 2 and 3. At the same time, the bed frame adopts ⑥ and ④ to connect the 1;
 - d. The 2 and 3 adopt ⑨, ⑤ and ⑧ to connect the headboard, Installation complete.



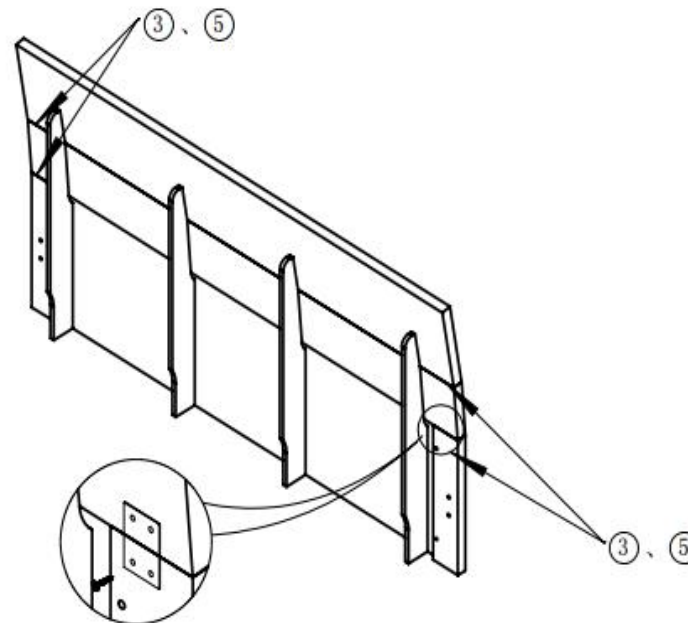
Itme	Name	Spec.	Qty
1	Footboard		1
2	Left bedside		1
3	Right bedside		1

Hardware List

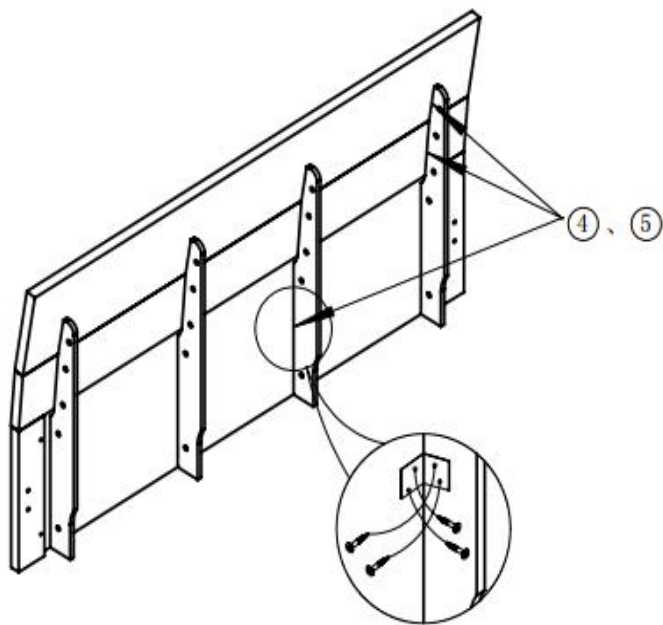
No.	Name	Picture	Qty.	No.	Name	Picture	Qty.
①	Big buckle bar		20				
②	Large buckle wheel		20				
③	Galvanized connecting iron plate 60*40mm		4				
④	Angle iron 4 holes		12				
⑤	M3.5*14 cross countersunk head self-tapping nail		64				
⑥	Diameter 16 rubber foot nails		10				



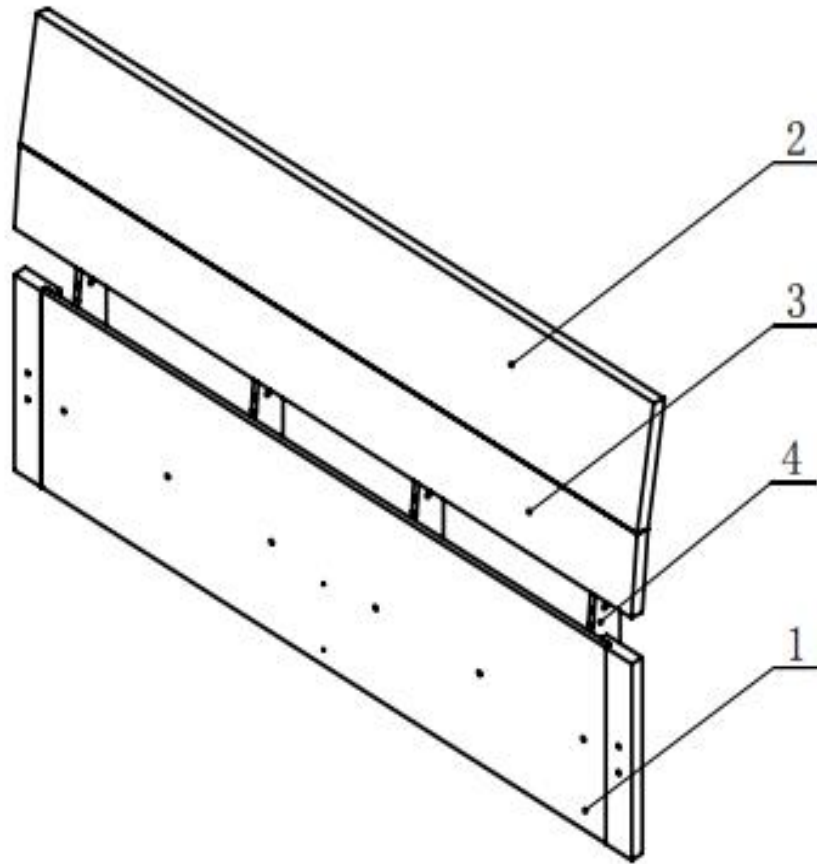
1、 The bottom of the 1 and 4 installed ⑥ evenly.
The 4 adopts ② and ① to connect the 1,2 and 3 respectively.



3、 After the 2, 3 and left and right ends of the 1 are aligned,
③ and ⑤ are connected to reinforce the 1,2 and 3, as shown in figure



2、
As shown in the figure, two groups of ④ and ⑤ are connected to the upper end of the 4.
As shown in the figure, a set of ④ and ⑤ are connected to the lower end of the 4. When the 2 and 3 are flush with the two ends of the 1, the ④ on the 4 are connected to the 1,2 and 3 with ⑤.



Itme	Name	Spec.	Qty
1	Combined bed box panel	1600X578	1
2	Upper bed back	1600X296	1
3	Lower bed back	1600X196	1
4	Backrest support board	800X100	4