


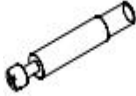

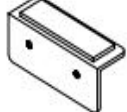


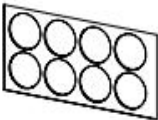



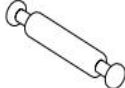







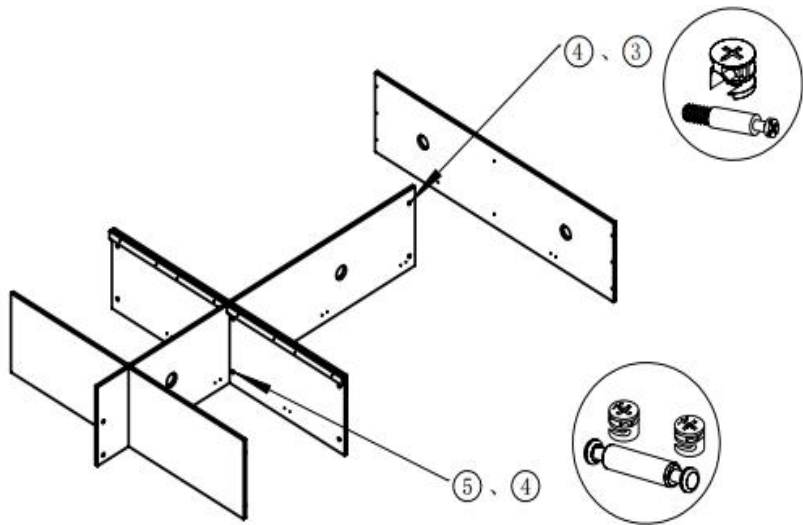


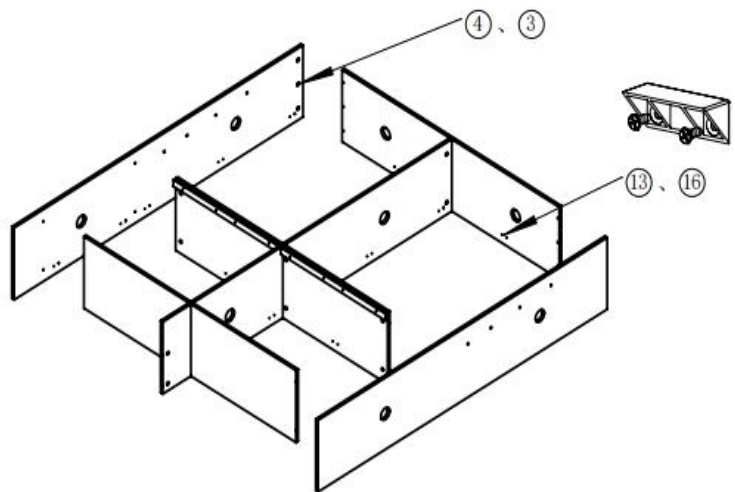
| Itme | Name                            | Spec. | Qty |
|------|---------------------------------|-------|-----|
| 1    | Left long bedside               |       | 1   |
| 2    | Rear bedside                    |       | 1   |
| 3    | Right long bedside              |       | 1   |
| 4    | Middle bed frame plate          |       | 1   |
| 5    | Left rear short frame plate     |       | 1   |
| 6    | Right rear short frame plate    |       | 1   |
| 7    | Left front short frame plate    |       | 1   |
| 8    | Right front short frame plate   |       | 1   |
| 9    | Crosser of rear bed plank       |       | 2   |
| 10   | Crosser of front bed plank      |       | 2   |
| 11   | Rear crosser of rear bed plank  |       | 1   |
| 12   | Front bed plank                 |       | 1   |
| 13   | Edgings of front bed plank      |       | 2   |
| 14   | Left edgings of rear bed plank  |       | 1   |
| 15   | Rear bed plank                  |       | 1   |
| 16   | Rear bed end strip              |       | 1   |
| 17   | Right edgings of rear bed plank |       | 1   |
| 18   | Wrap angle                      |       | 2   |
| 19   | Front base plate                |       | 2   |
| 20   | Plastic socle                   |       | 4   |
| 21   | Rear base plate                 |       | 2   |
| 22   | plunger elevator                |       | 2   |

## Hardware List

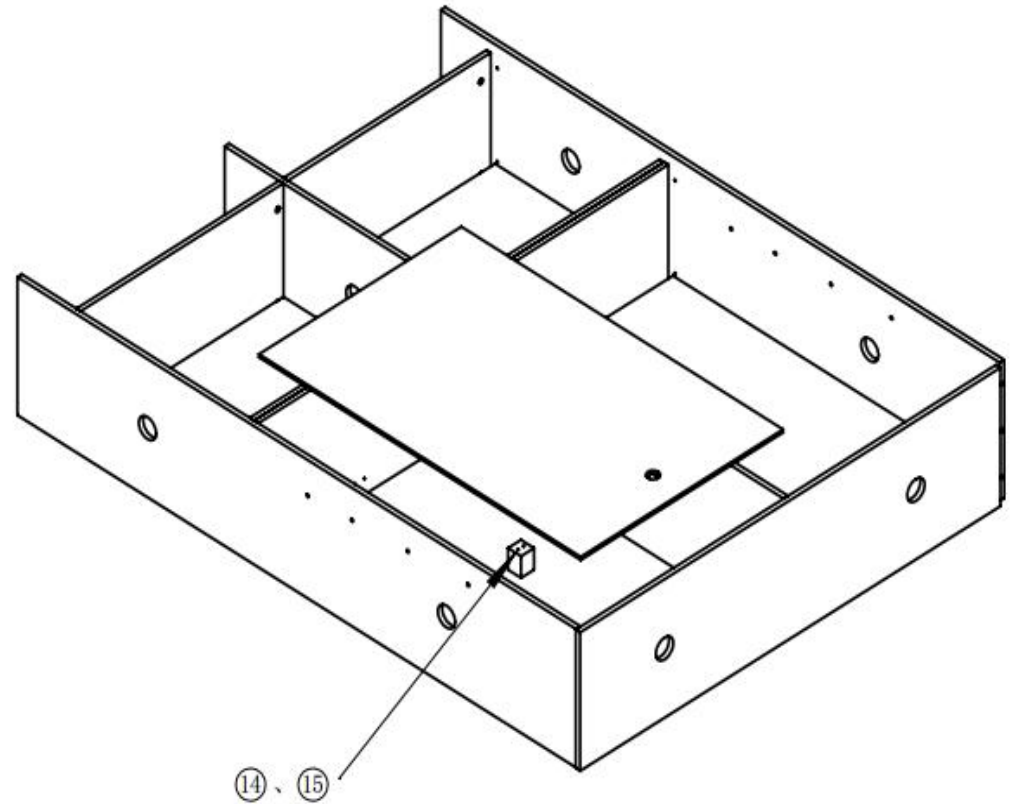
| No. | Name                     | Picture   | Qty. | No. | Name   | Picture   | Qty. | No. | Name                              | Picture   | Qty. |
|-----|--------------------------|---|------|-----|--|---|------|-----|-----------------------------------|---|------|
| ①   | 15cm air hole            |    | 8    | ⑧   | M6*20 cross chamfered galvanized screw           |    | 18   | ⑮   | Dia. 4 cupped washer              |    | 8    |
| ②   | Large buckle bar         |    | 8    | ⑨   | M6*25 cross bevelling nickeled screw             |    | 14   | ⑯   | 20 * 20 * 50mm Plastic angle code |    | 28   |
| ③   | Large tapping buckle bar |    | 18   | ⑩   | M6 hexagon galvanized nut                        |    | 14   | ⑰   | Furniture sticker                 |    | 8    |
| ④   | Large buckle wheel       |    | 34   | ⑪   | M4*30 cross countersunk head self-tapping nail   |    | 36   | ⑱   | Dia. 6mm flat washer              |    | 32   |
| ⑤   | 54 Double Buckle Rod     |   | 4    | ⑫   | M4*16 cross countersunk head self-tapping nail   |  | 20   | ⑲   | Spanner                           |   | 1    |
| ⑥   | Small buckle wheel       |  | 18   | ⑬   | M3.5*14 cross countersunk head self-tapping nail |  | 56   | ⑳   | Foot nail                         |  | 4    |
| ⑦   | Small tapping buckle bar |  | 18   | ⑭   | M3*12 cross countersunk head self-tapping nail   |  | 8    |     |                                   |   |      |



1、 The 5,6,7,8 adopts ④ and ⑤ to connect the 4.  
The 4 adopts ④ and ③ to connect the 2.

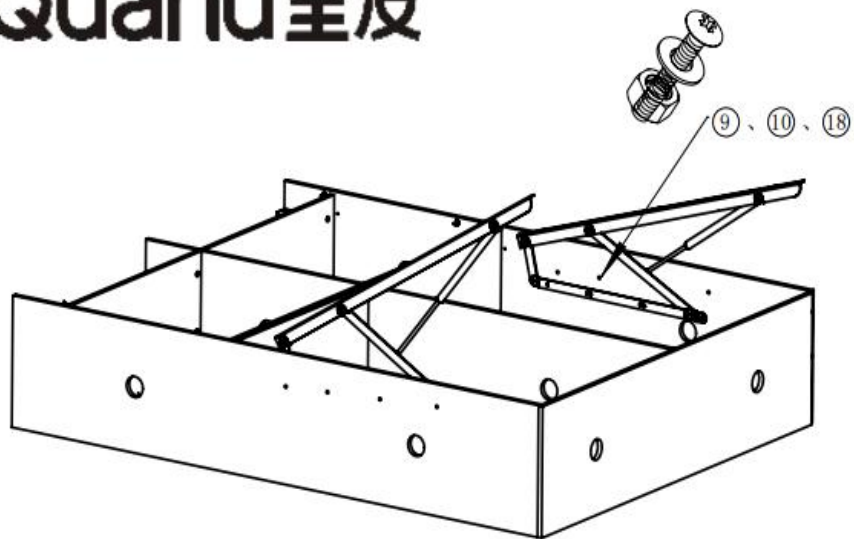


2、 The 1 and 3 adopts ④ and ③ to connect the 2,5,6,7,8.  
The ⑬ are fixed on the 1,3,4,5,6,7,8 by the ⑯.

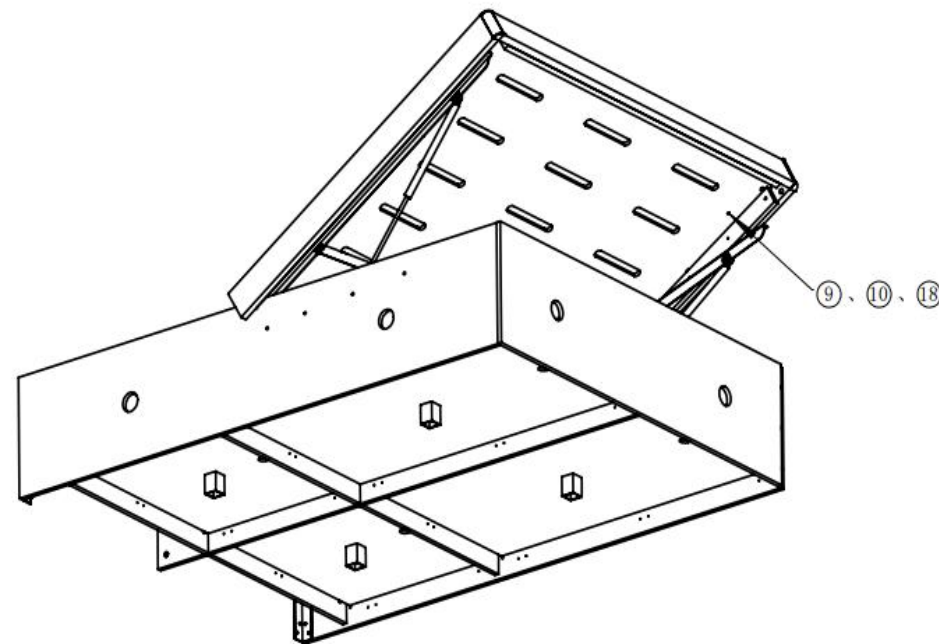


3、 The 20 adopts ⑭ and ⑮ to connect the 19 and 21, and put each base plate into the bed body;

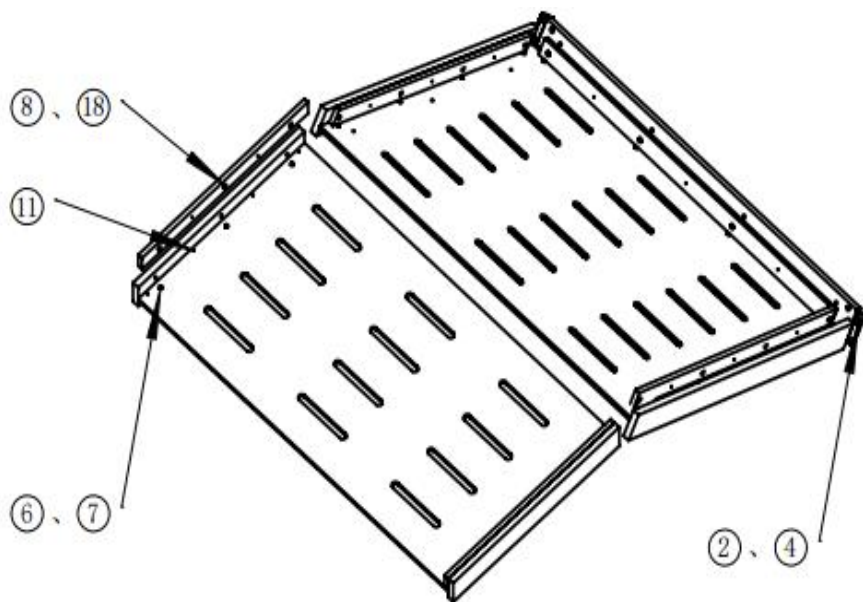
# QUANU 全友



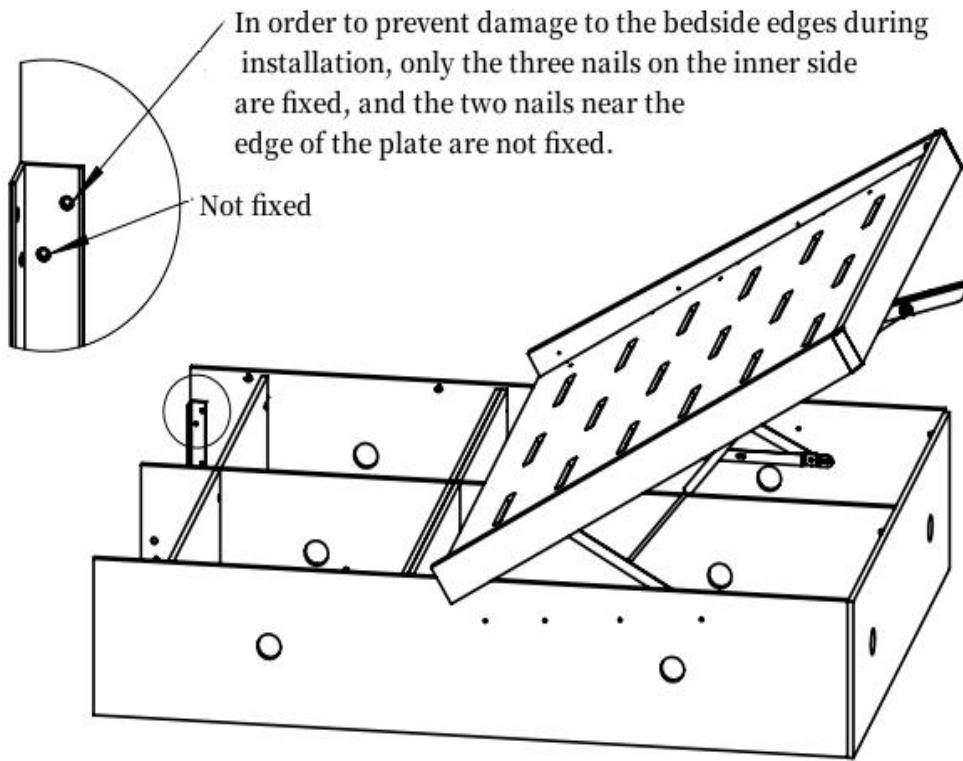
4、 The 22 adopts ⑨,⑱ and ⑩ to connect the 1 and 3, and then use ⑲ to tighten the nut.



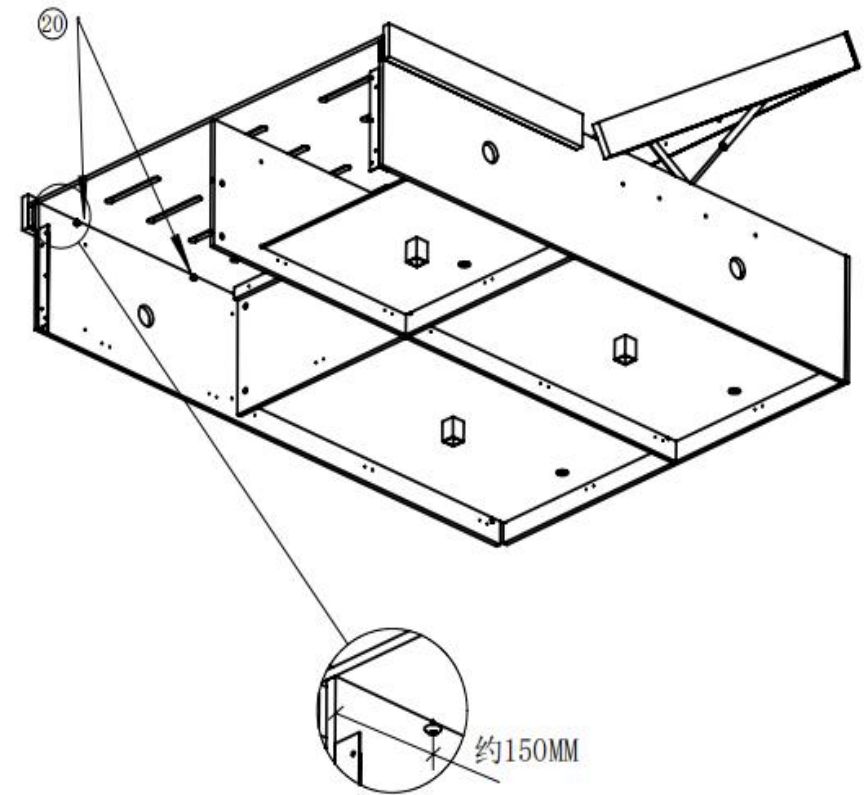
6、  
The 22 adopts ⑨,⑱ and ⑩ to connect the 15,  
Note that the left and right ends of the 15 should be kept flat when installing .



5、  
The 16 adopts ② and ④ to connect the 18.  
The 13,14,17 adopts ⑥ and ⑦ to connect 12 and 15.  
At the same time, the 14 and 17 adopts ② and ④ to connect the 18.  
The 9,10,11 adopts ⑧ and ⑱ to connect the 13,14,17.  
The ⑩ are used to reinforce 12,15 and 9,10,11.




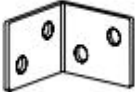

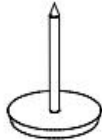


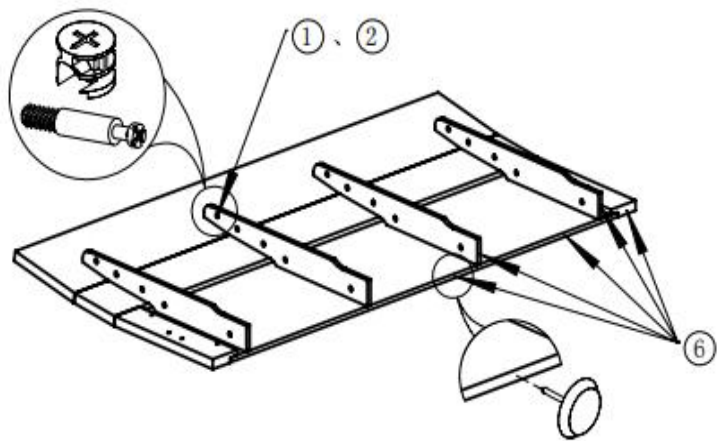
- 7、  
 First, use ⑫ to fix the connecting Angle steel in the corresponding position of the Combined bed box panel (a part of the headboard).  
 Then use ⑫ to connect Angle steel on the 1 and 3.



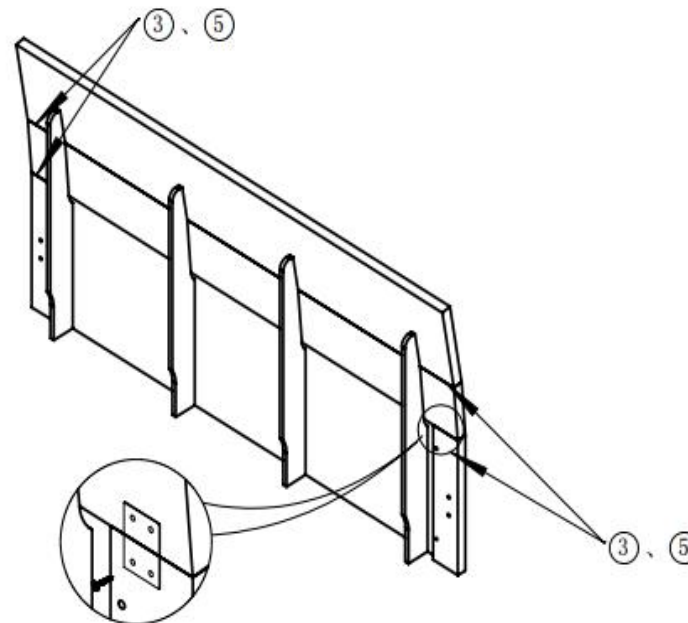
- 8、  
 Cover the 12 and 15, and install the ⑳ under the 12.  
 After installation, the edge of the ⑳ is tangent to the inside of the bed, about 150MM from the outside of the bedside to the 5 and 6.  
 Paste ⑰ to the hole of the exposed fastener, cover the vent hole with ①, and the installation is complete.

## Hardware List

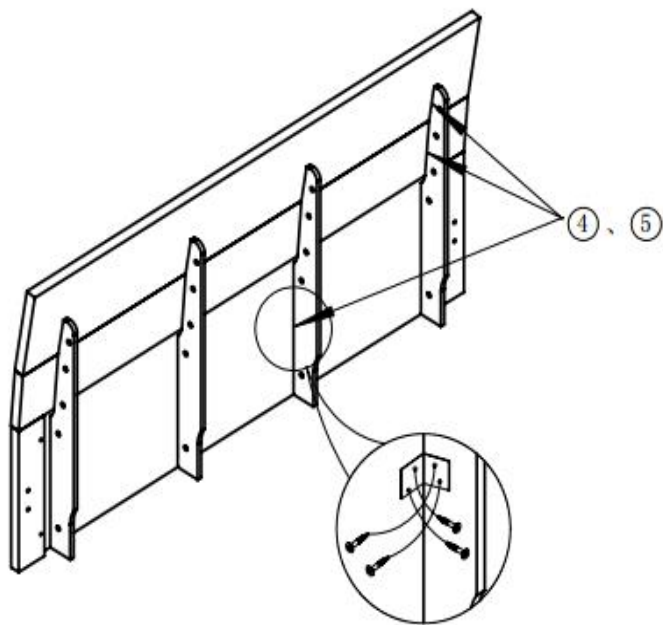
| No. | Name   | Picture   | Qty. | No. | Name | Picture | Qty. |
|-----|--|---|------|-----|------|---------|------|
| ①   | Big buckle bar                                   |    | 20   |     |      |         |      |
| ②   | Large buckle wheel                               |    | 20   |     |      |         |      |
| ③   | Galvanized connecting iron plate 60*40mm         |    | 4    |     |      |         |      |
| ④   | Angle iron 4 holes                               |    | 12   |     |      |         |      |
| ⑤   | M3.5*14 cross countersunk head self-tapping nail |  | 64   |     |      |         |      |
| ⑥   | Diameter 16 rubber foot nails                    |  | 10   |     |      |         |      |



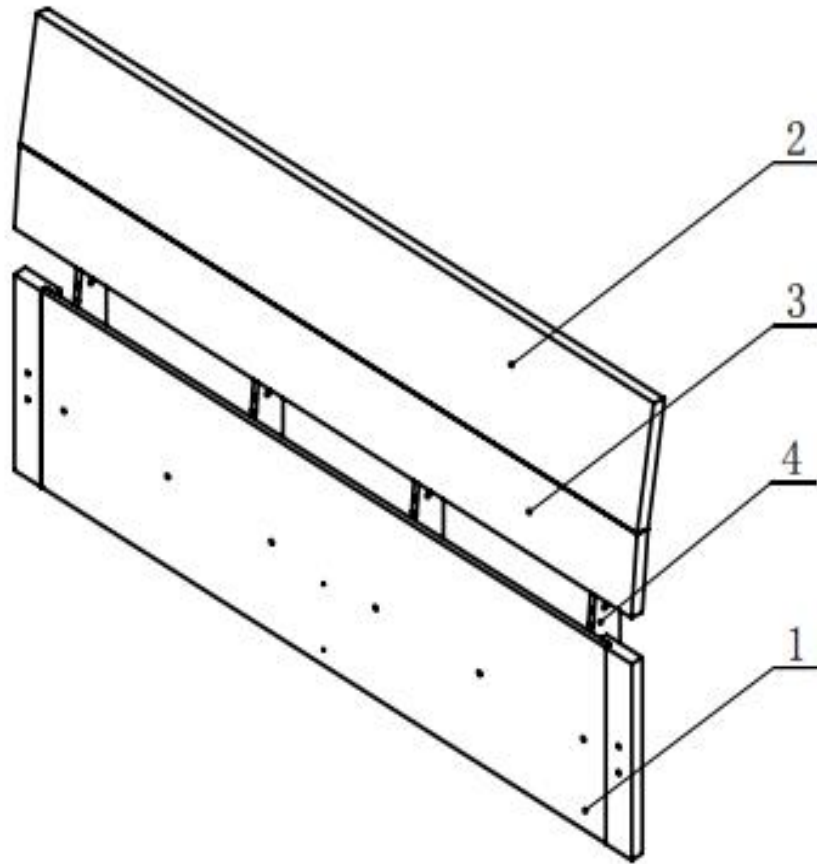
1、 The bottom of the 1 and 4 installed ⑥ evenly.  
The 4 adopts ② and ① to connect the 1,2 and 3 respectively.



3、 After the 2, 3 and left and right ends of the 1 are aligned,  
③ and ⑤ are connected to reinforce the 1,2 and 3, as shown in figure



2、  
As shown in the figure, two groups of ④ and ⑤ are connected to the upper end of the 4.  
As shown in the figure, a set of ④ and ⑤ are connected to the lower end of the 4. When the 2 and 3 are flush with the two ends of the 1, the ④ on the 4 are connected to the 1,2 and 3 with ⑤.



| Itme | Name                   | Spec.    | Qty |
|------|------------------------|----------|-----|
| 1    | Combined bed box panel | 1600X578 | 1   |
| 2    | Upper bed back         | 1600X296 | 1   |
| 3    | Lower bed back         | 1600X196 | 1   |
| 4    | Backrest support board | 800X100  | 4   |