
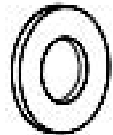





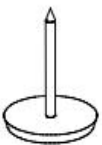

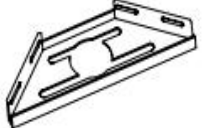

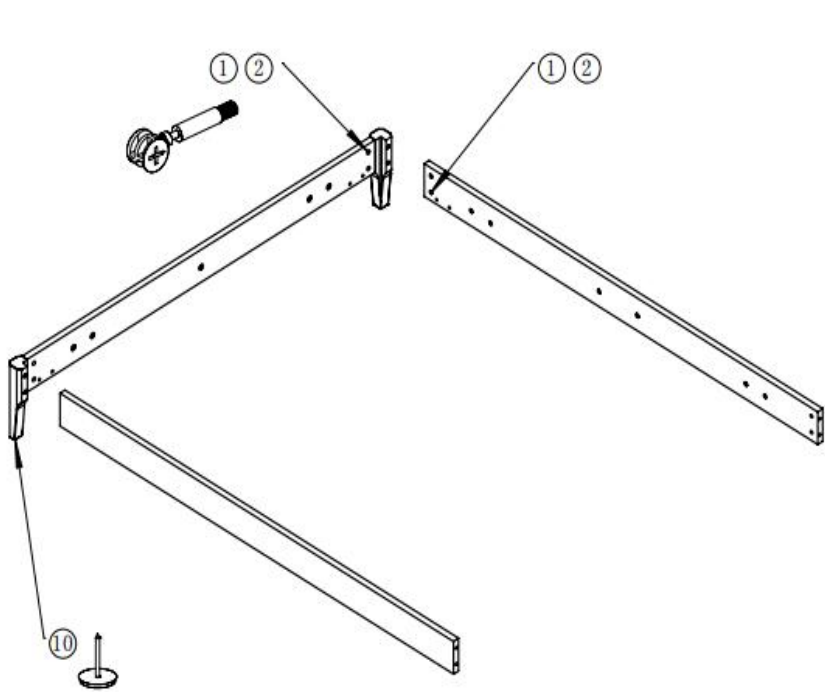
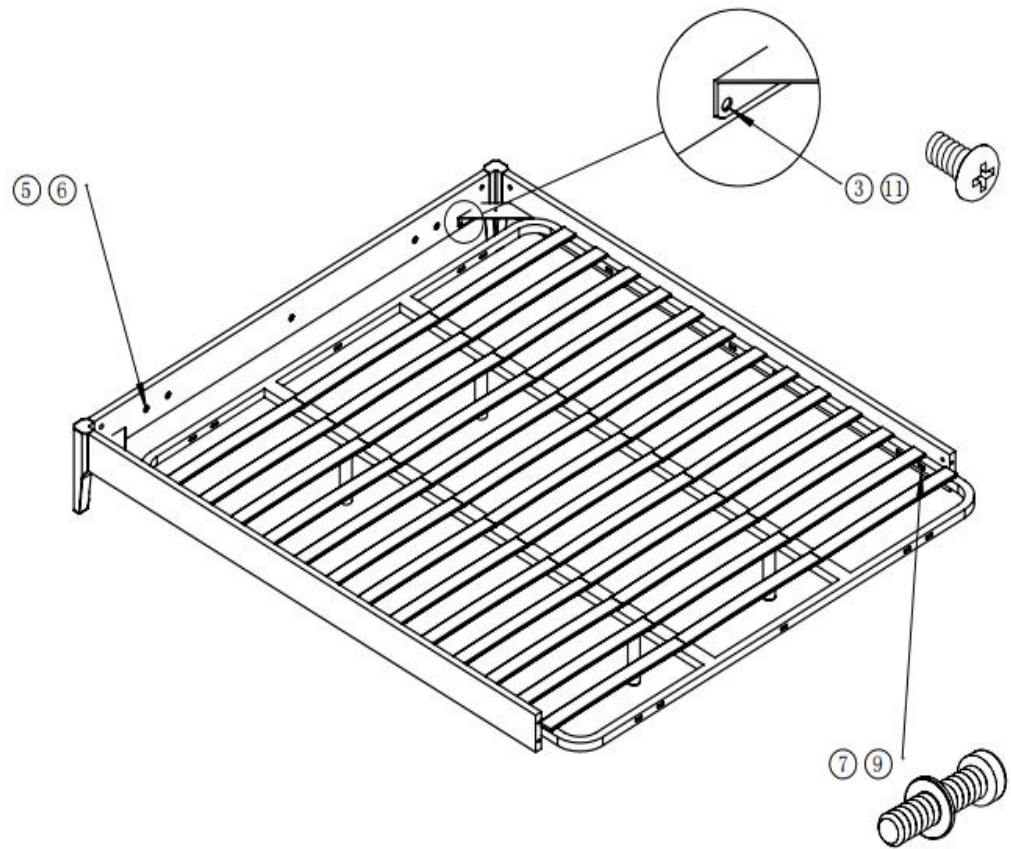


Hardware List

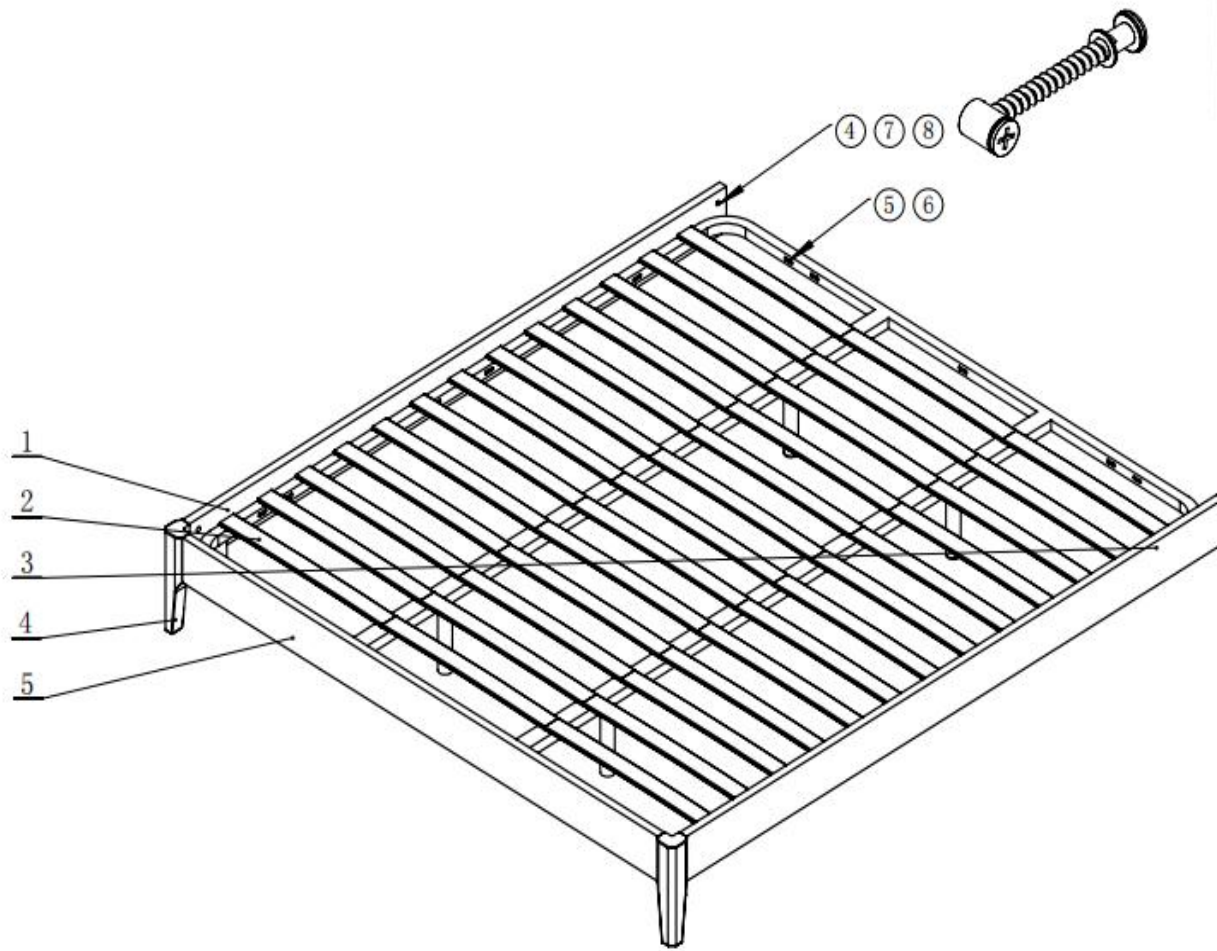
No.	Name	Picture	Qty.	No.	Name	Picture	Qty.
①	Lengthening big buckle bar		8	⑦	Dia. 6mm flat washer		16
②	Large buckle wheel		8	⑧	M8 load binder		4
③	M6*12 cross round head galvanized screw		8	⑨	M8*50 cross round head galvanized screw		12
④	M8*70 cross round head galvanized screw		4	⑩	Diameter 16 rubber foot nails		2
⑤	M6*45 cross chamfered galvanized screw		10	⑪	Iron triangle		2
⑥	Dia. 6mm flat washer		10				



- 1、 The leg 4 install ⑩.
- 2、 The 5 adopts ① and ② to connect the 4.
- 3、 The 4 adopts ① and ② to connect the 1 and 3



- 4、 The ⑪ adopts ③ to connect the 1,3 and 5.
- 5、 The 2 using ⑨ and ⑦ connected to the 1 and 3.
At the same time, the 2 adopts ⑤ and ⑥ to connect the 5.



Itme	Name	Spec.	Qty
1	Left bedside	1972X130	1
2	Bedstead		1
3	Right bedside	1972X130	1
4	Bed leg	290X65	2
5	Footboard	1744X130	1







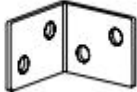


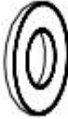

6、

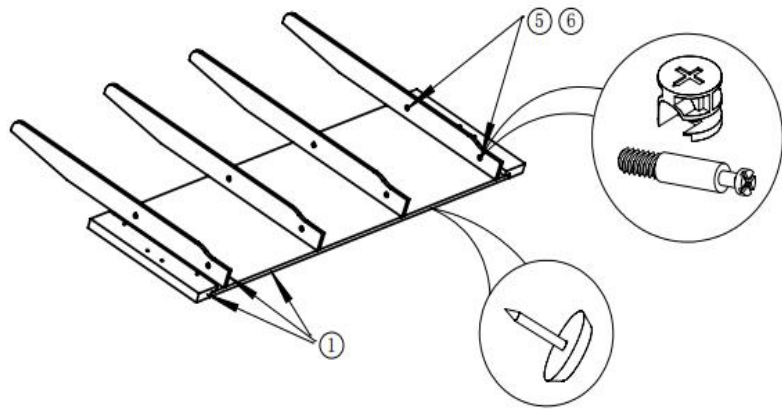
a.The Bedstead 2 adopts ⑤ and ⑥ to connected with the matching headboard.

b.The 1 and 3 adopts ④,⑦ and ⑧ to connected the matching headboard,

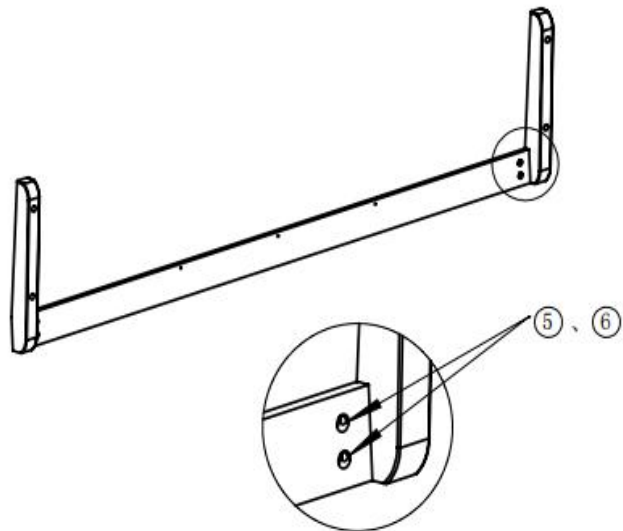
Installation complete

Hardware List

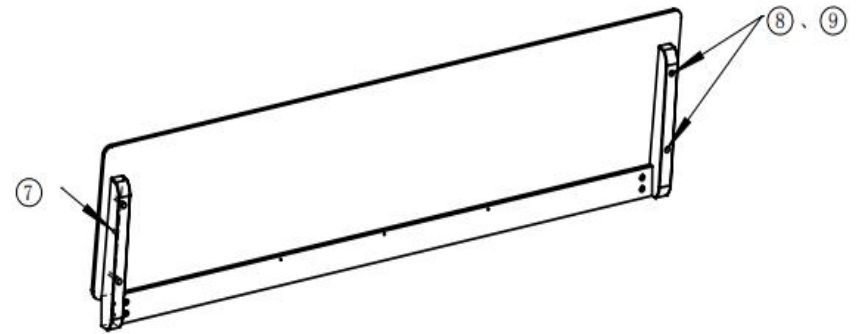
No.	Name	Picture	Qty.	No.	Name	Picture	Qty.
①	Diameter 16 rubber foot nails		10	⑦	8*40 Wood tip		2
②	Galvanized connecting iron plate 60*40mm		3	⑧	M6*50 cross chamfered galvanized screw		4
③	M3.5*14 cross countersunk head self-tapping nail		68	⑨	Dia. 6mm flat washer		4
④	Angle iron 4 holes		14	⑩	M4*25 cross countersunk head self-tapping nail		3
⑤	Large buckle wheel		12	⑪	Diameter 4 concave pad		3
⑥	Big buckle bar		12				



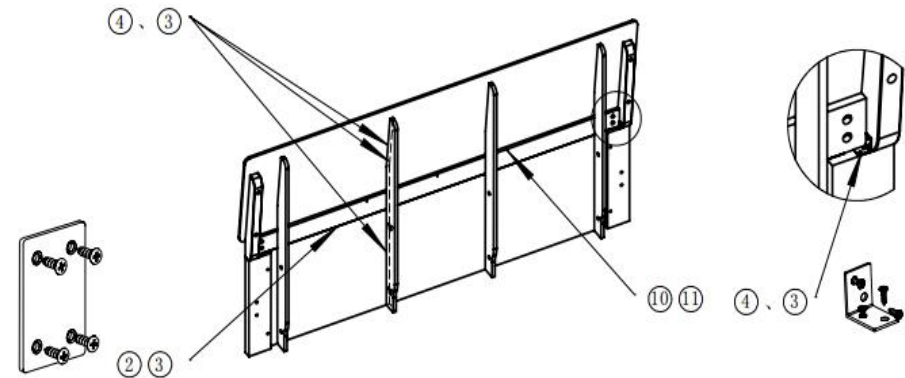
- 1、
- The bottom of the 2 and 3 are installed with ①.
 - The 2 adopts ⑤ and ⑥ to connect the 3.



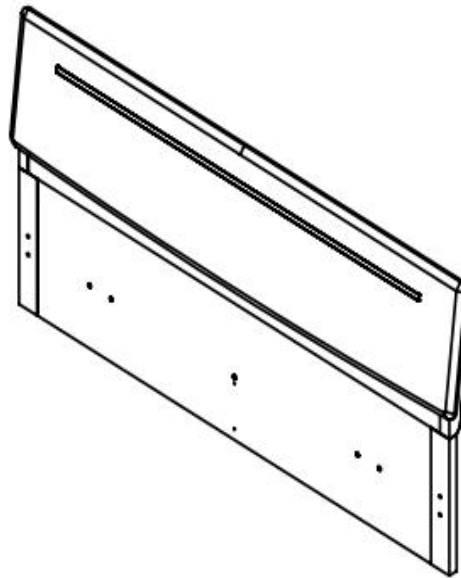
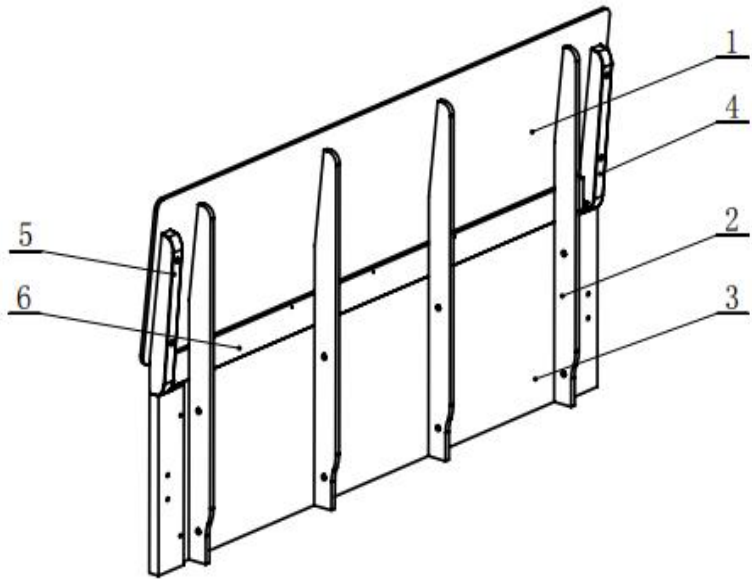
- 2、 The 6 adopts ⑤ and ⑥ to connect the 4 and 5.



- 3、
- The 1 adopts ⑦ to connect the 4 and 5.
 - The 1 adopts ⑧ and ⑨ to connect and fix the 4 and 5.



- 4、
- As shown in the picture, use two groups of ④ and ③ to connected and fixed on the upper end of the 2 (one on the left and one on the right). Use one set of ④ and ③ to connected and fixed at the lower end of the 2.
 - When the 1 is aligned with the 3, then the ④ on the 2 use ③ to connected 1 and 3.
 - The 4 and 5 are connected with ④ and ③ to reinforce the 3.
 - The 6 adopts ⑩ and ⑪ to connect and reinforce the 1.
 - Use ② and ③ to connect the 6 and 3, the installation is completed



Itme	Name	Spec.	Qty
1	Combined backrest		1
2	Support plate	950X76	4
3	Combined bed box panel		1
4	Left lateral column of backrest	433X84	1
5	Right lateral column of backrest	433X84	1
6	Bottom crossband of backrest	1820X84	1