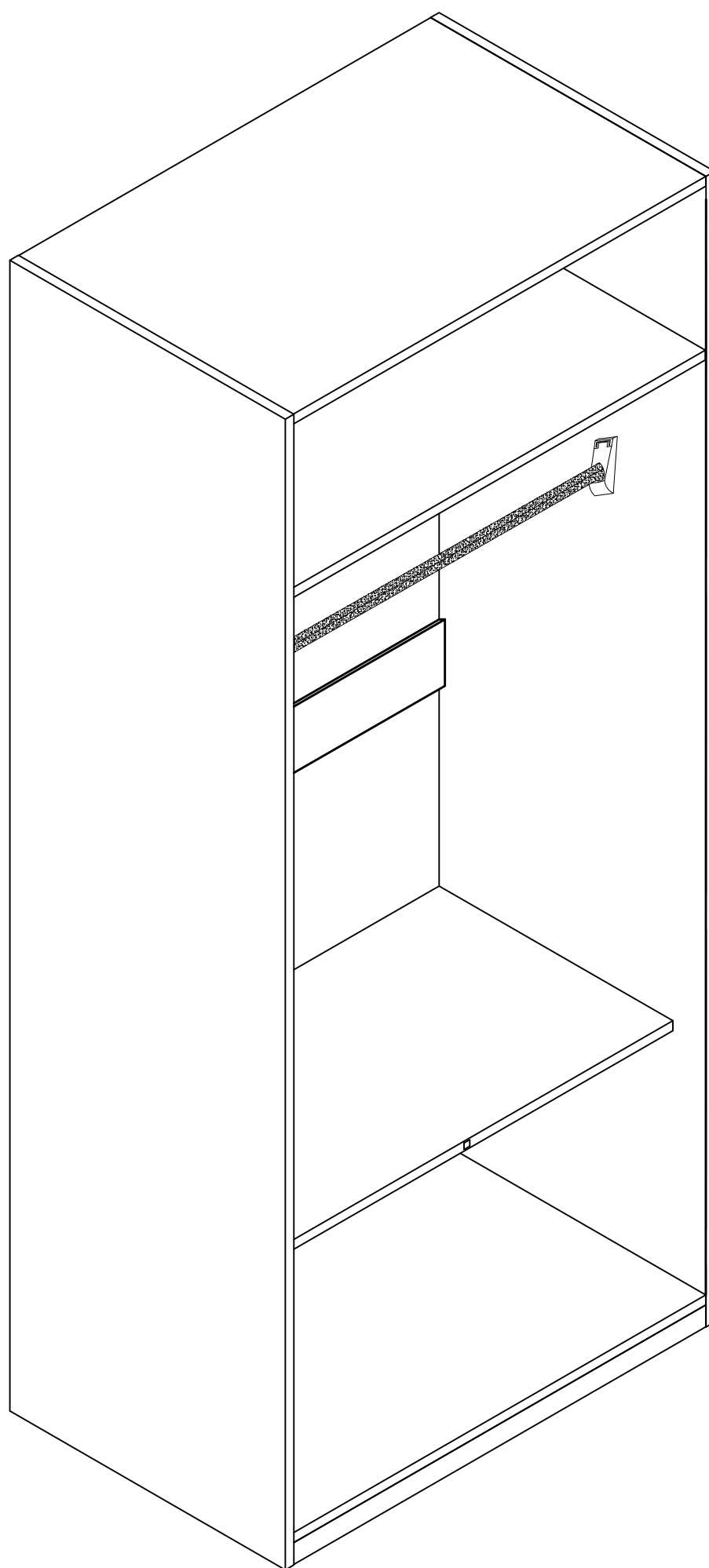
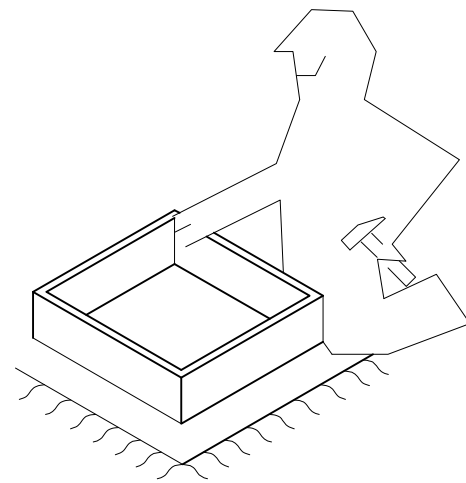
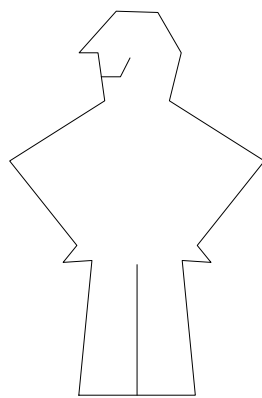
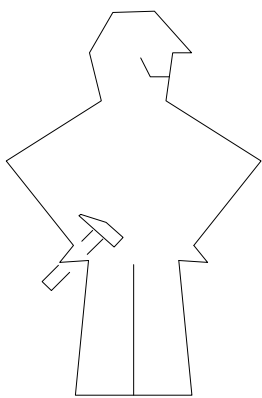
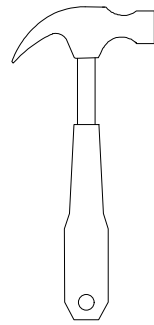
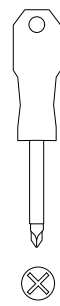
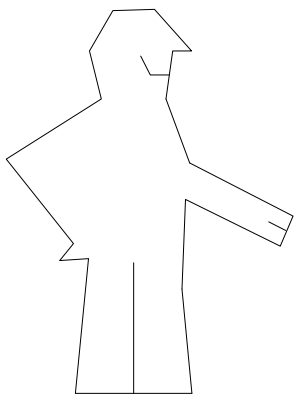


DOUBLE DOOR WARDROBE(R)  
INSTALLATION  
MODEL NO: W2001-D



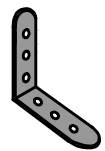
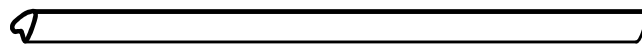
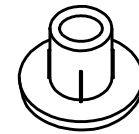
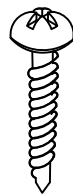
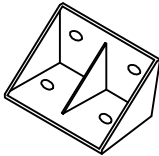
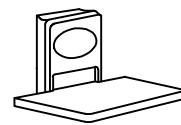
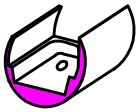
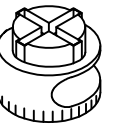
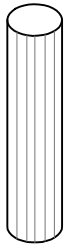
# Tool Needed



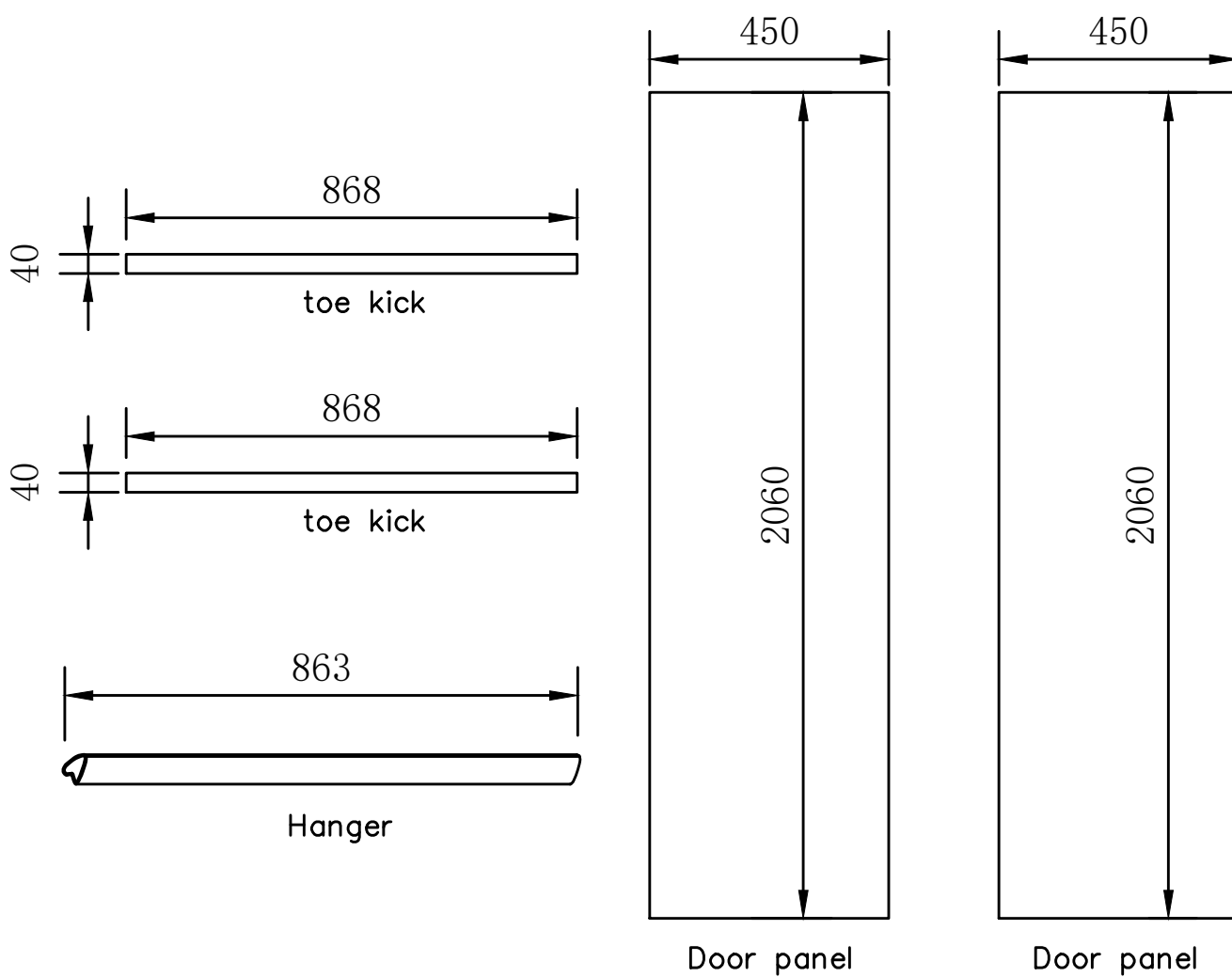
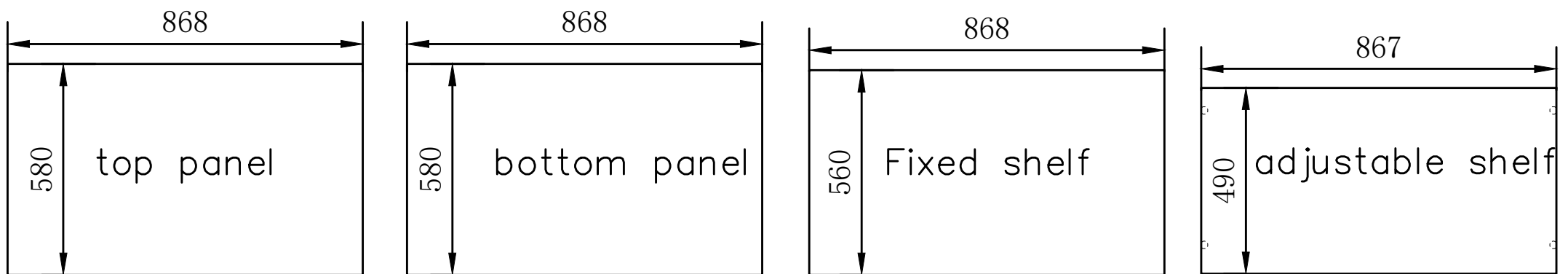
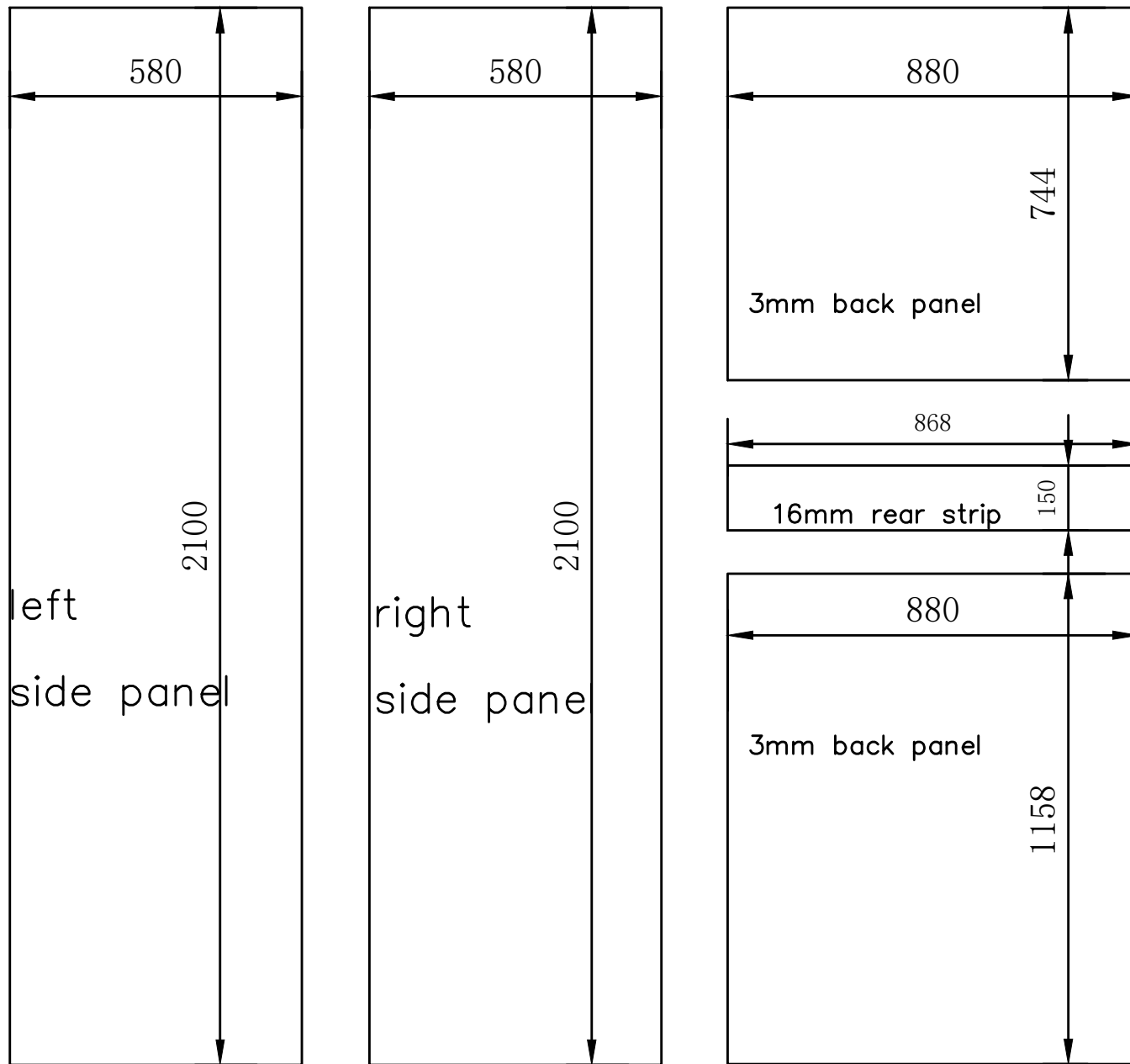
Two Man Work

Protection On Floor

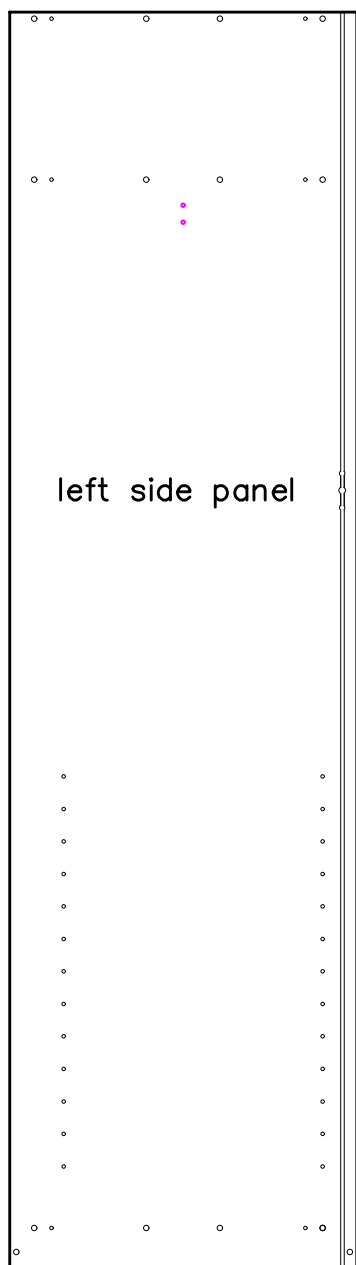
# Accessories Instruction



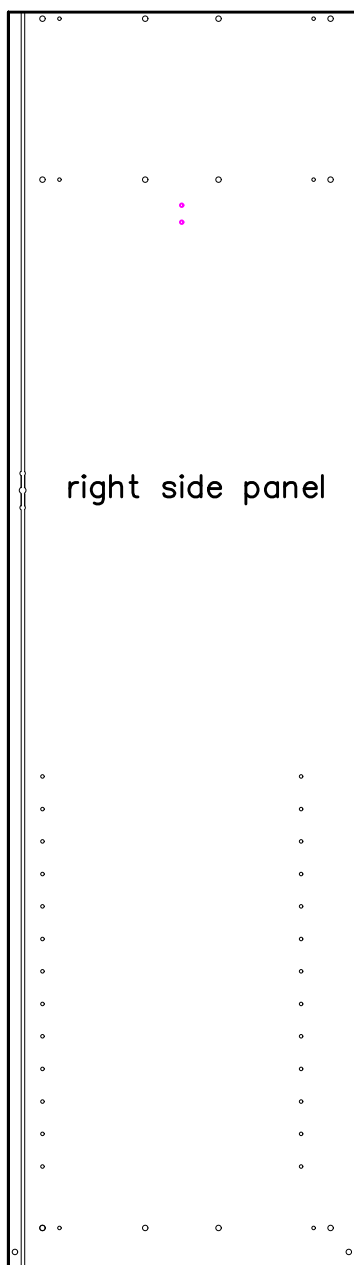
# Size of each panel



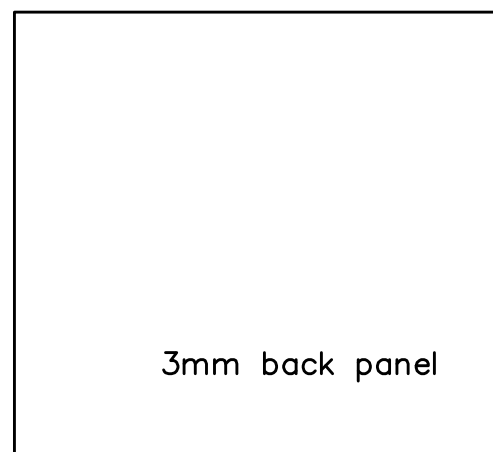
# Opening hole location diagram



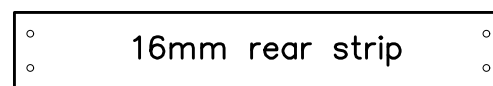
x1



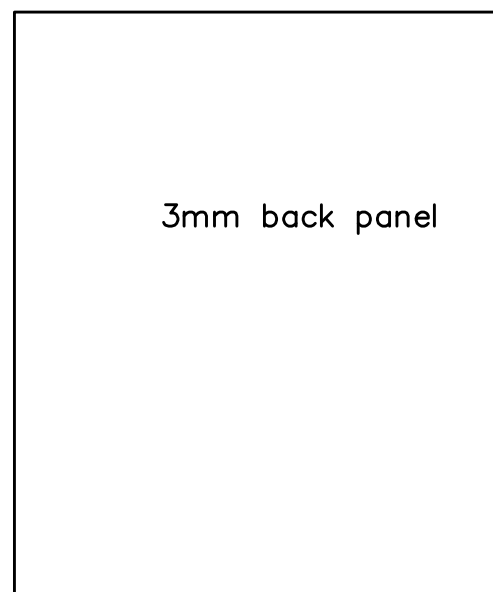
x1



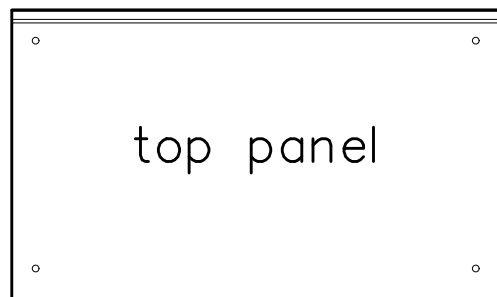
x1



x1



x1



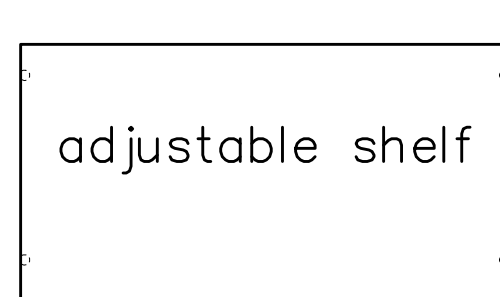
x1



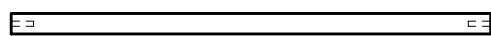
x1



x1



x1



toe kick

x1



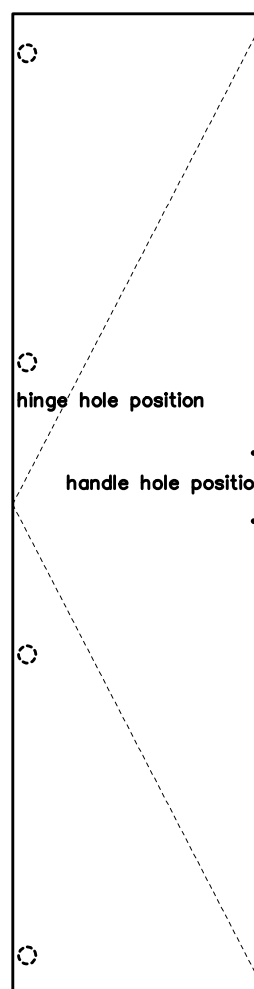
toe kick

x1

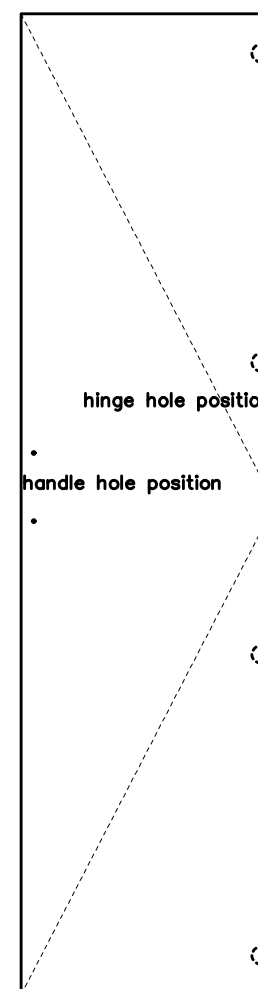


Hanger

x1

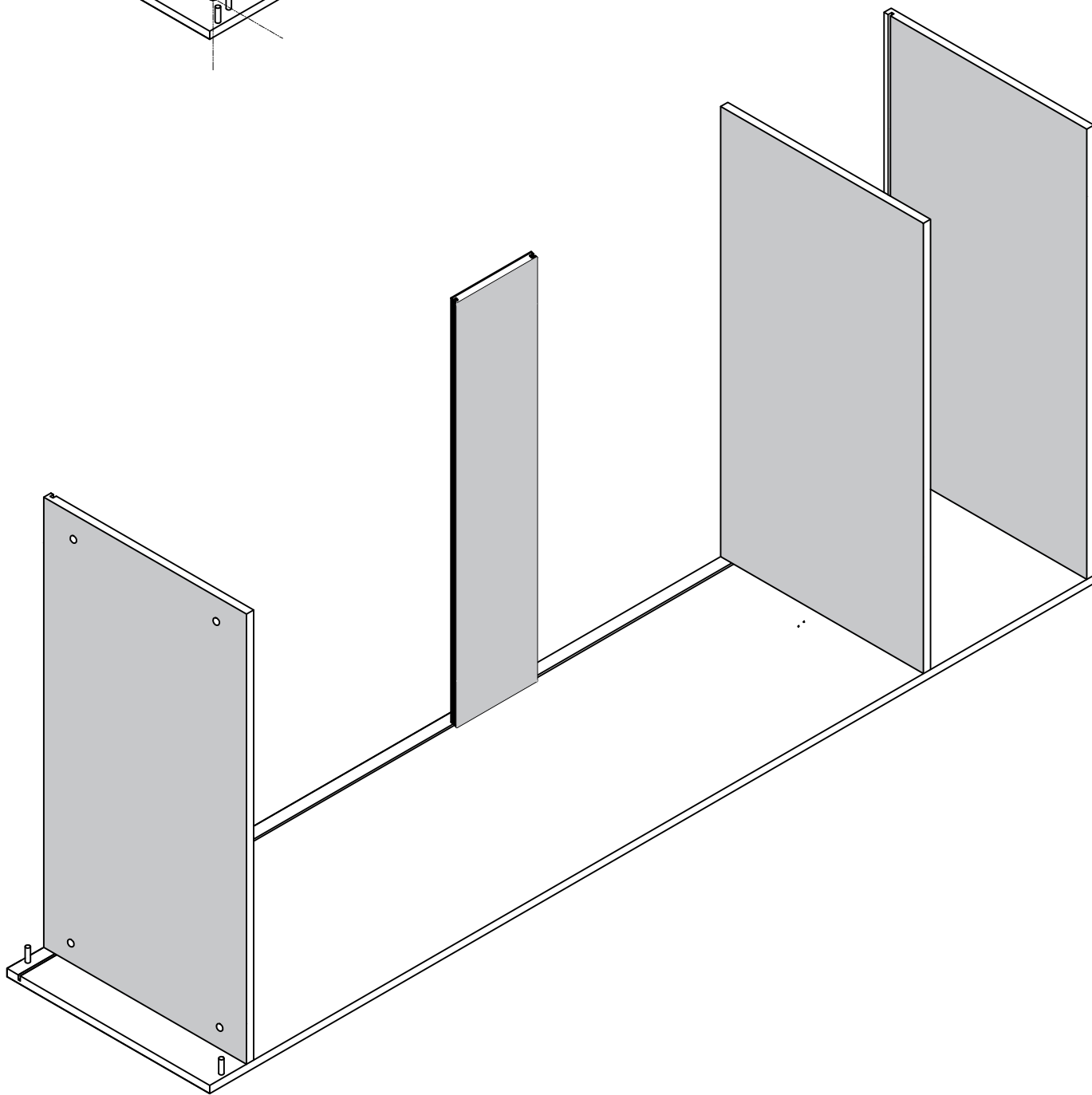
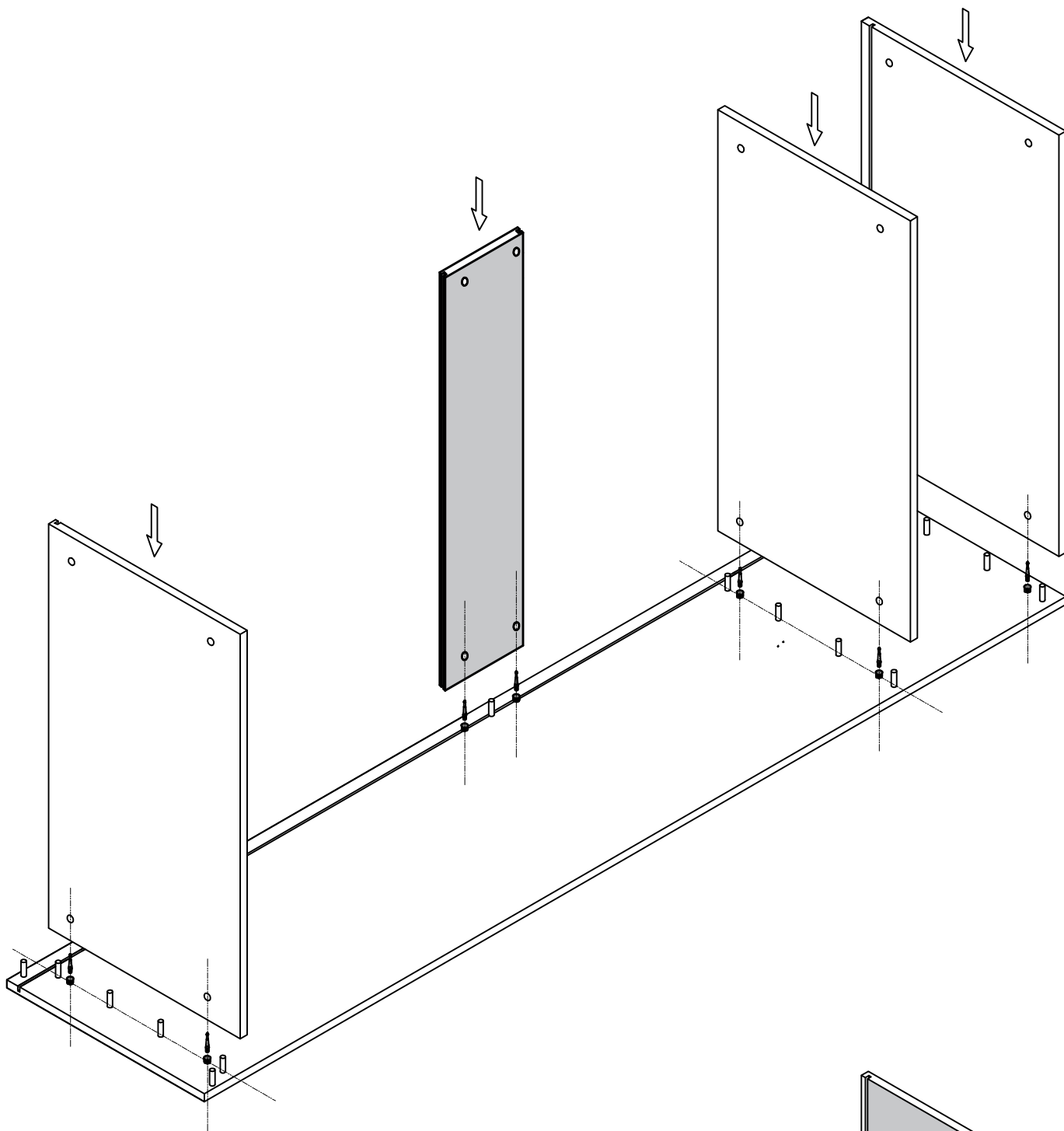


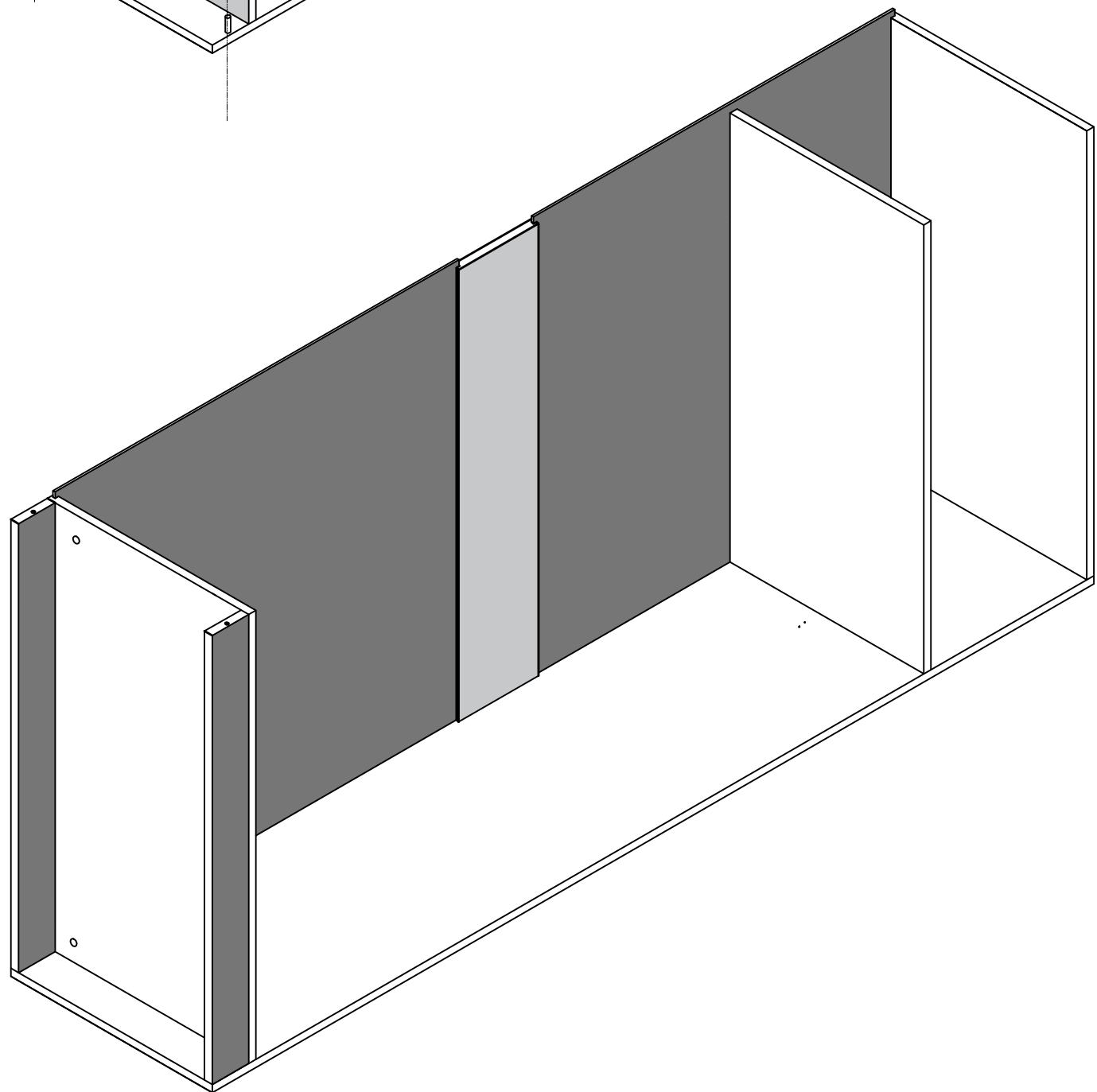
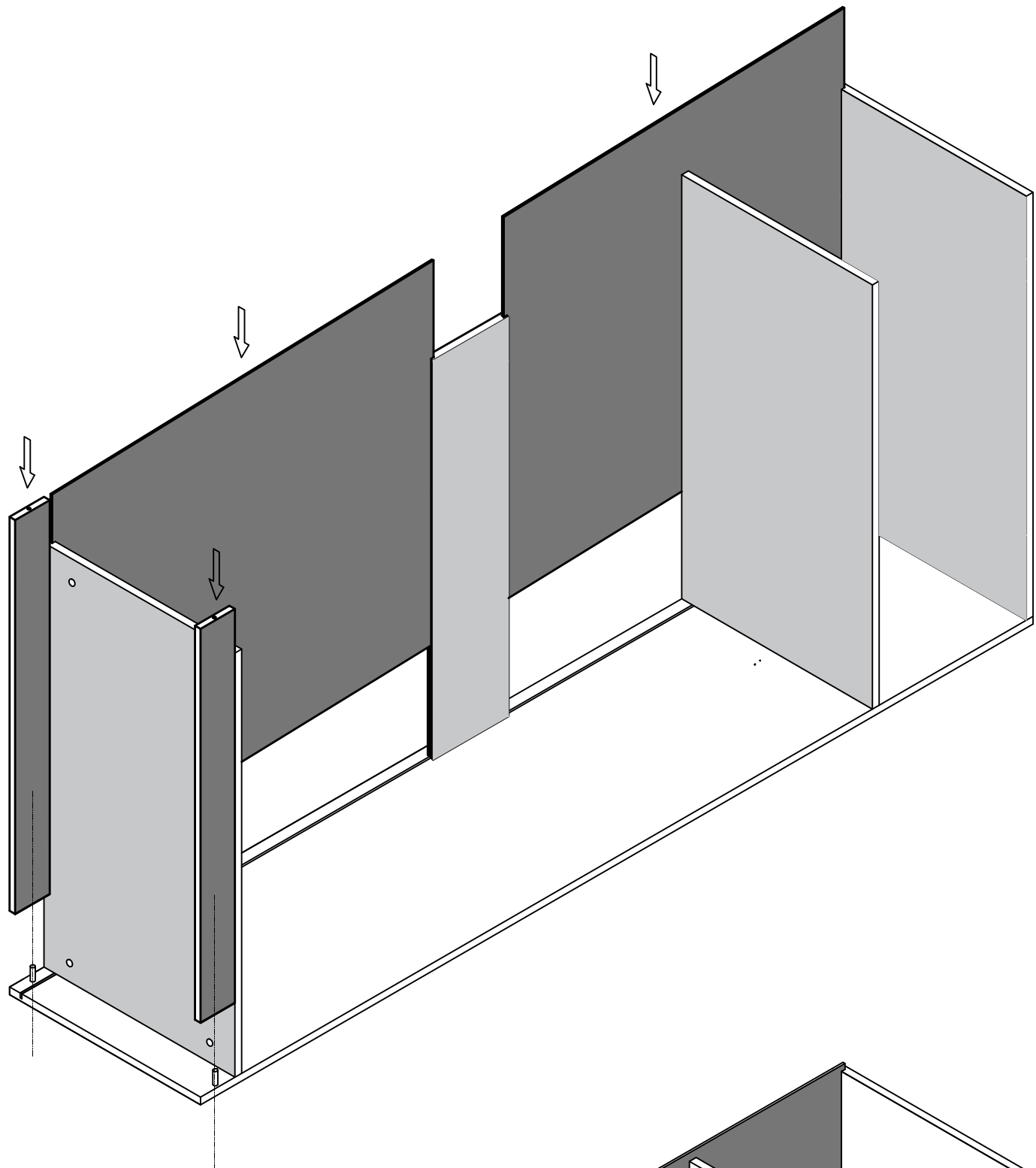
x1

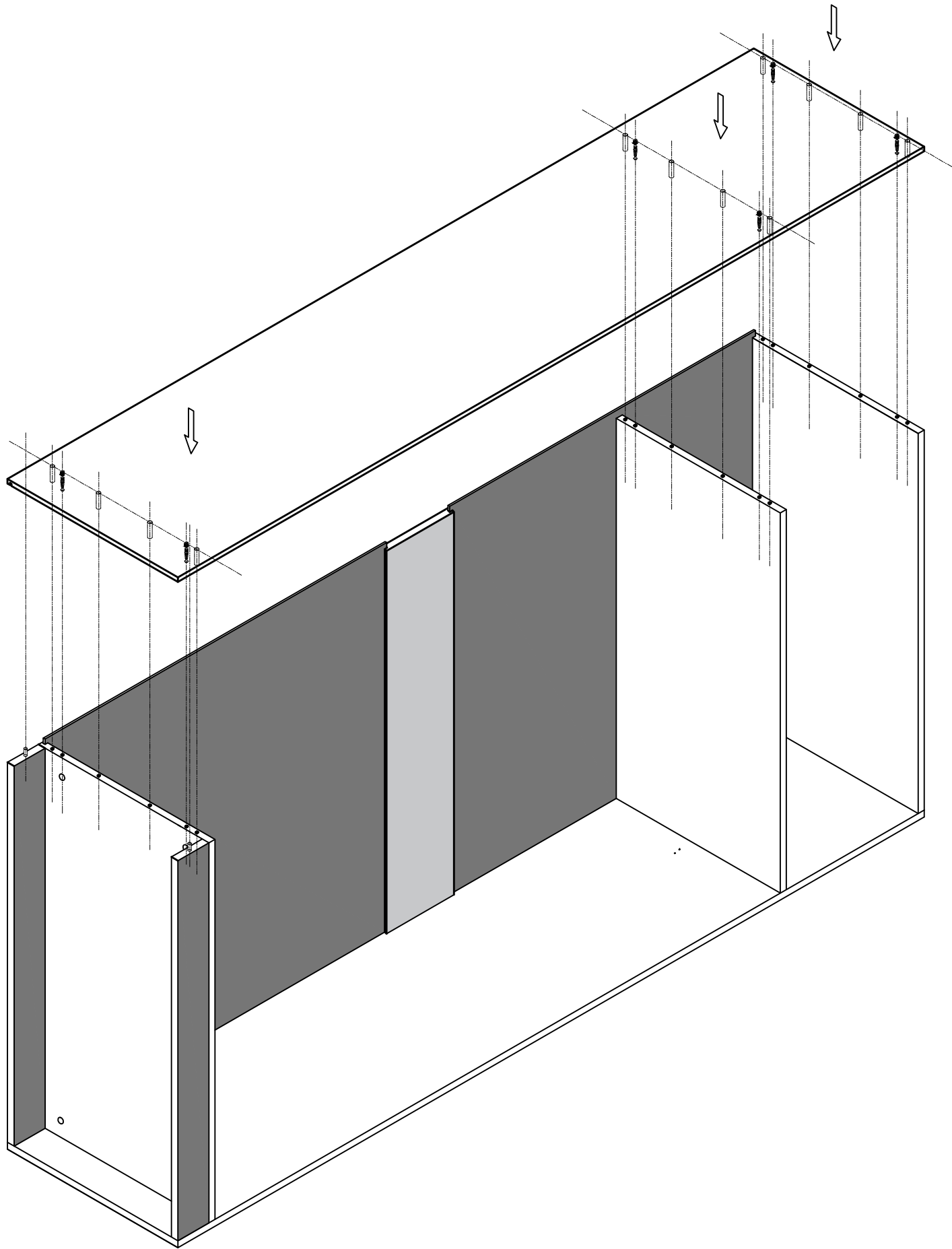


x1

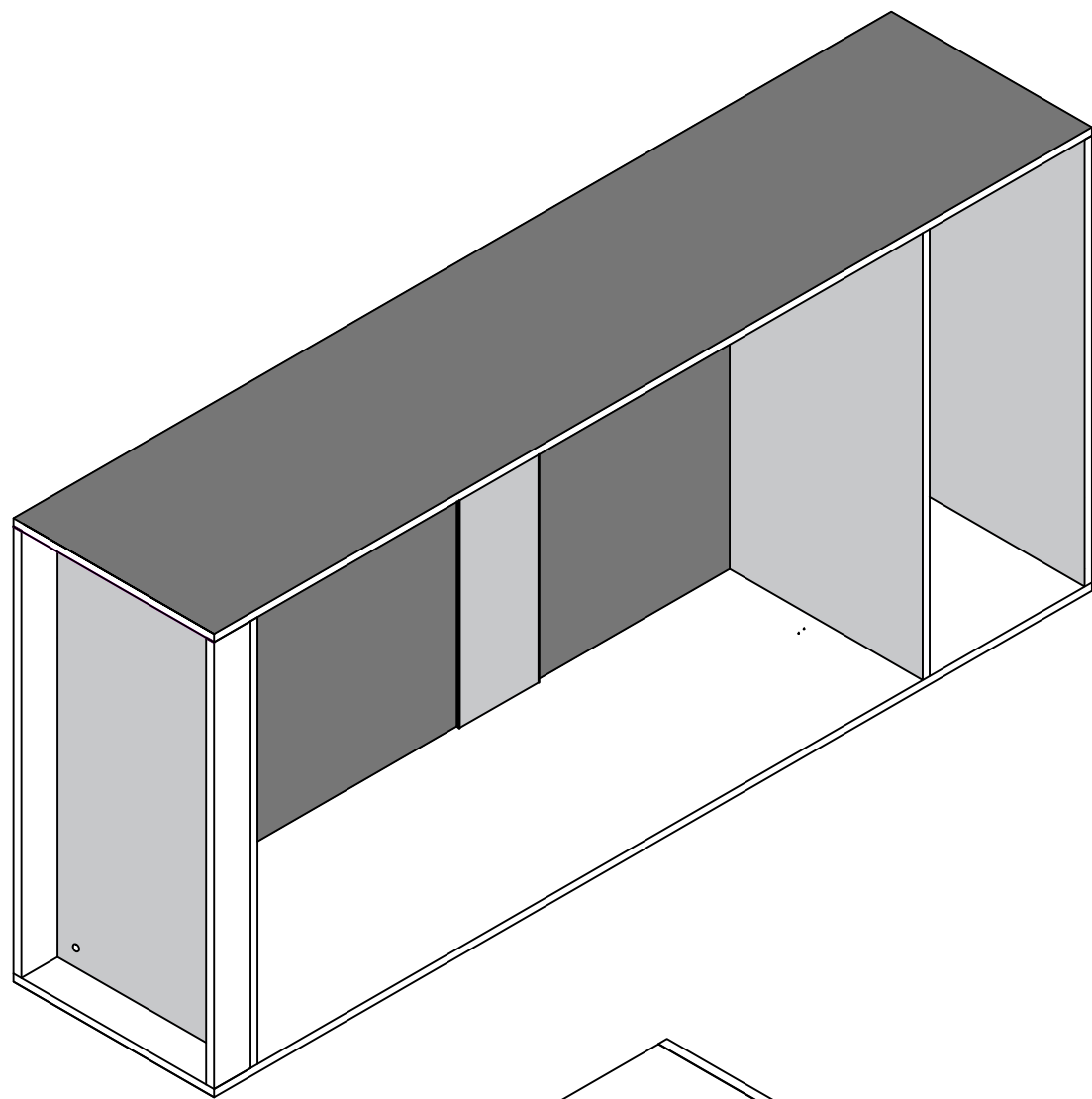
Door panel(open to left) Door panel(open to right)



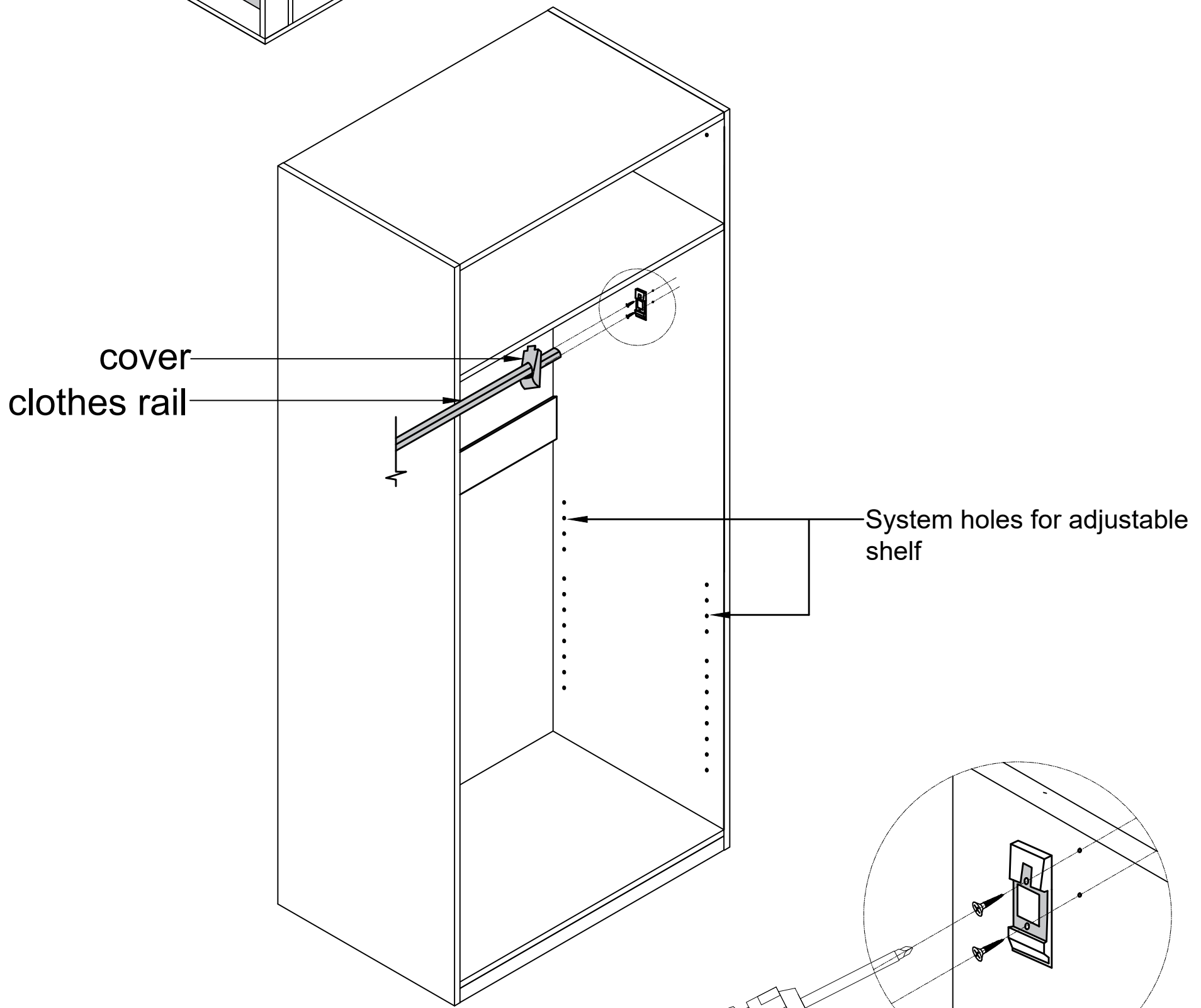








Stand up

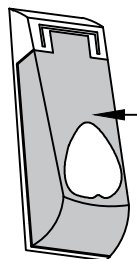


cover

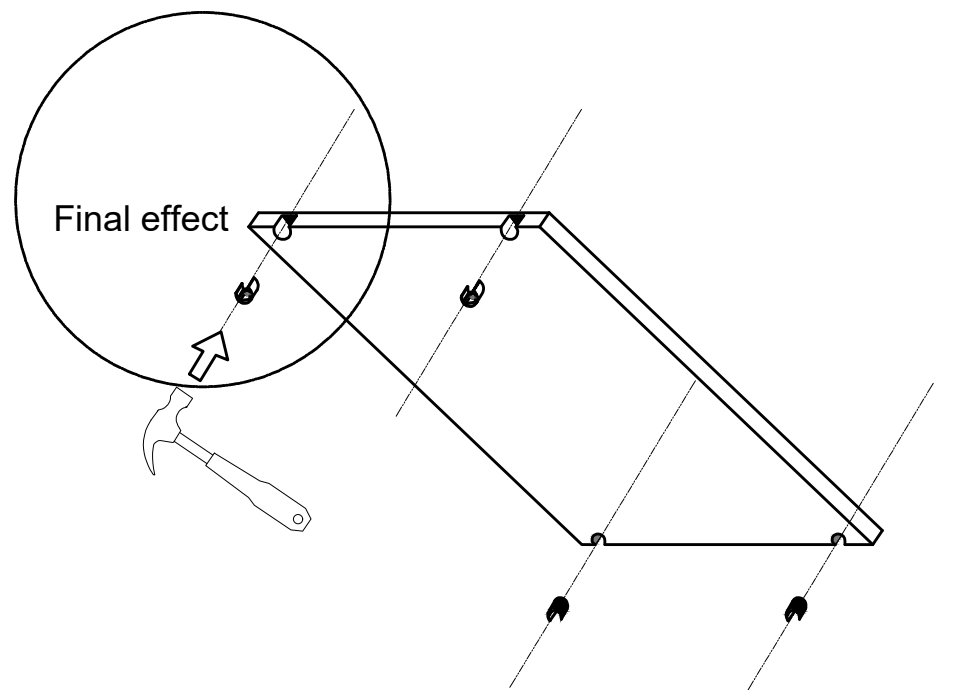
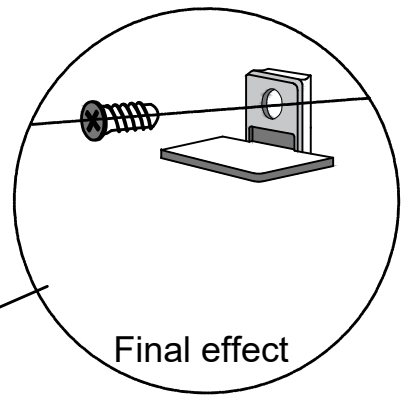
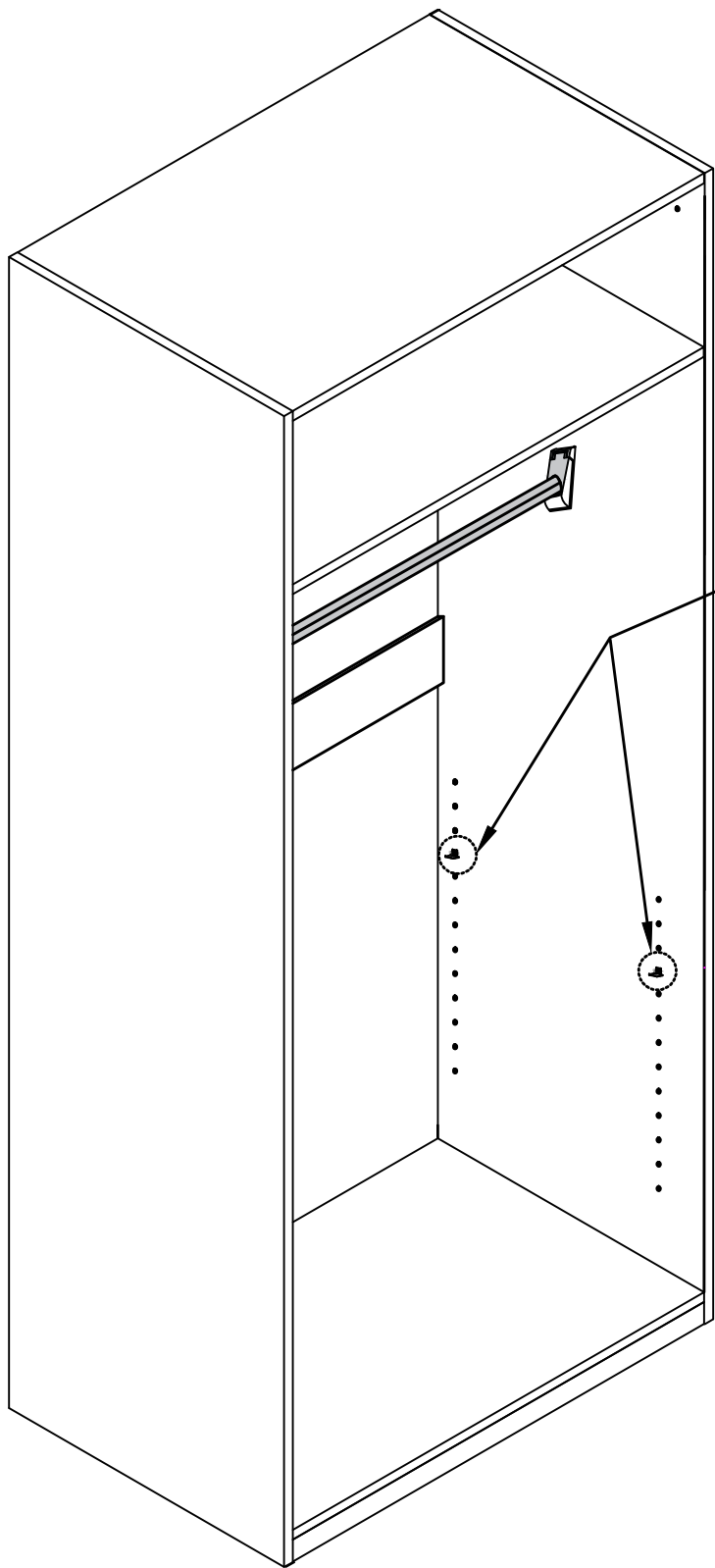
clothes rail

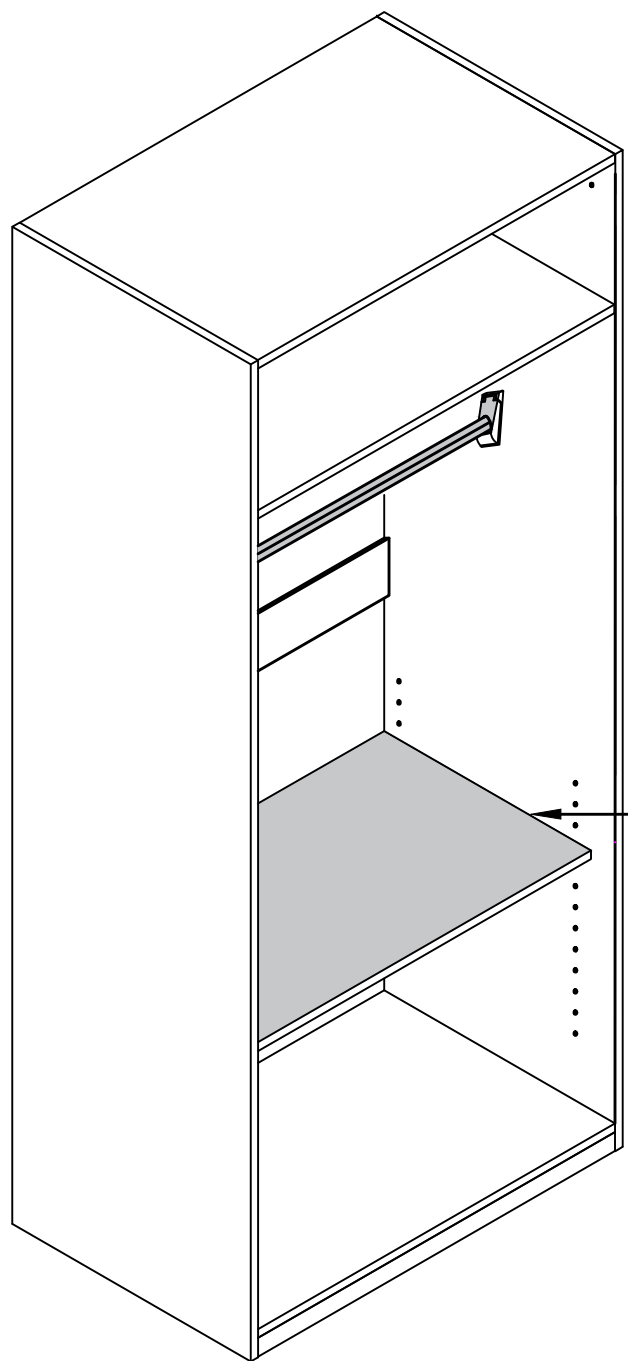
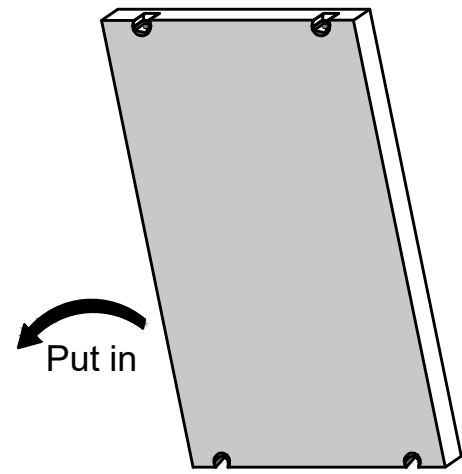
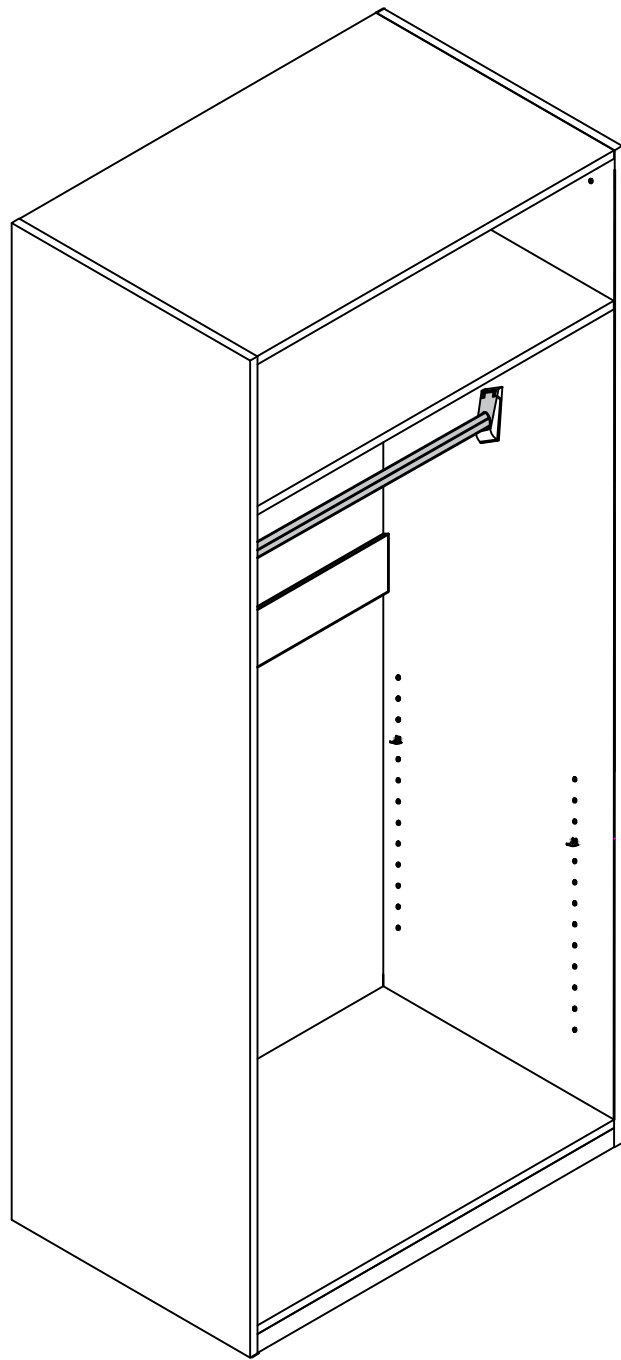
System holes for adjustable shelf

press and push down the cover

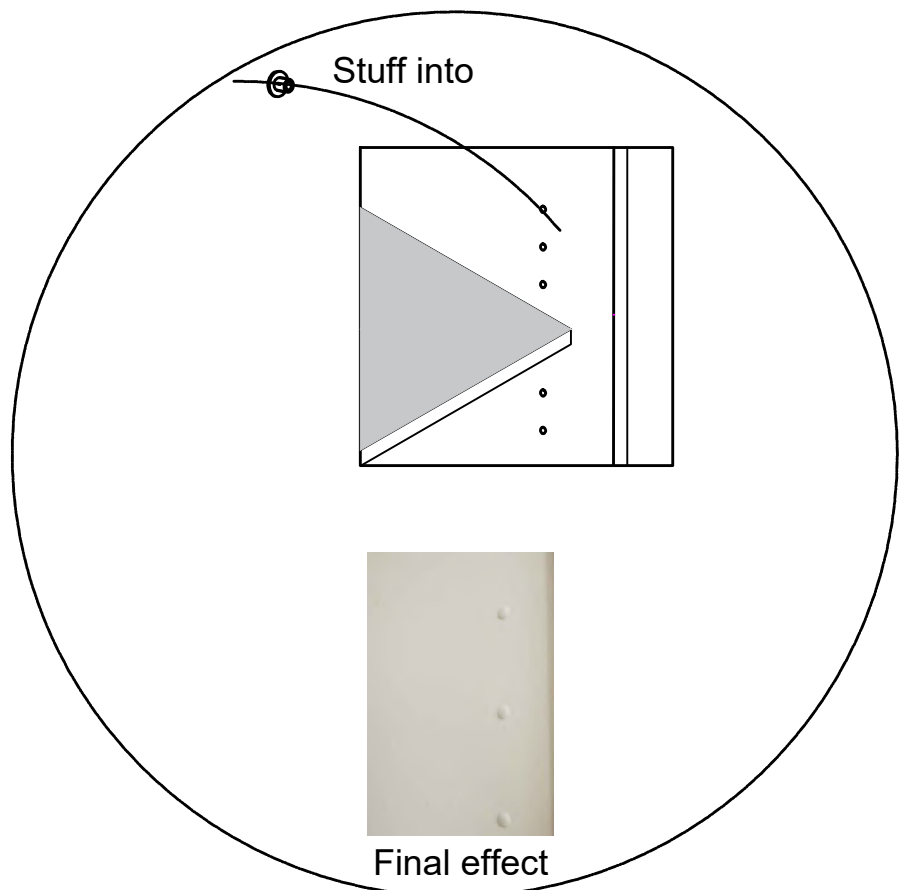
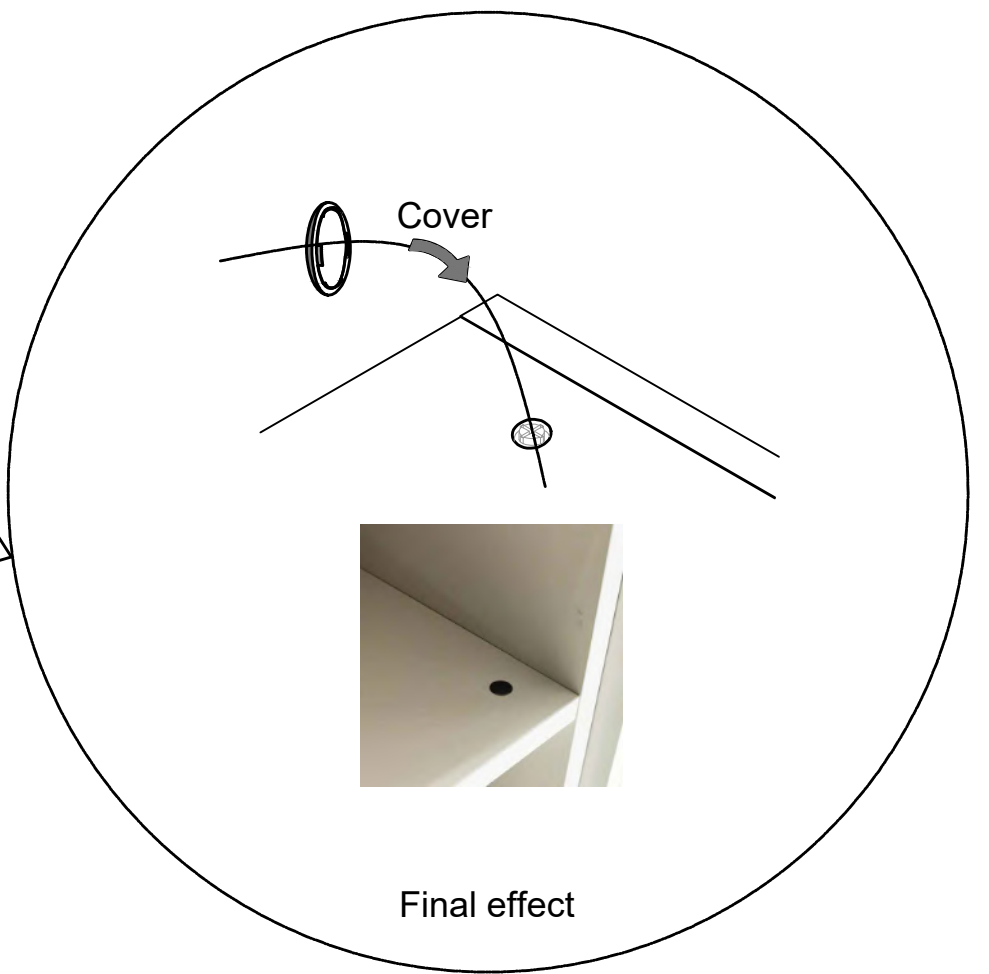
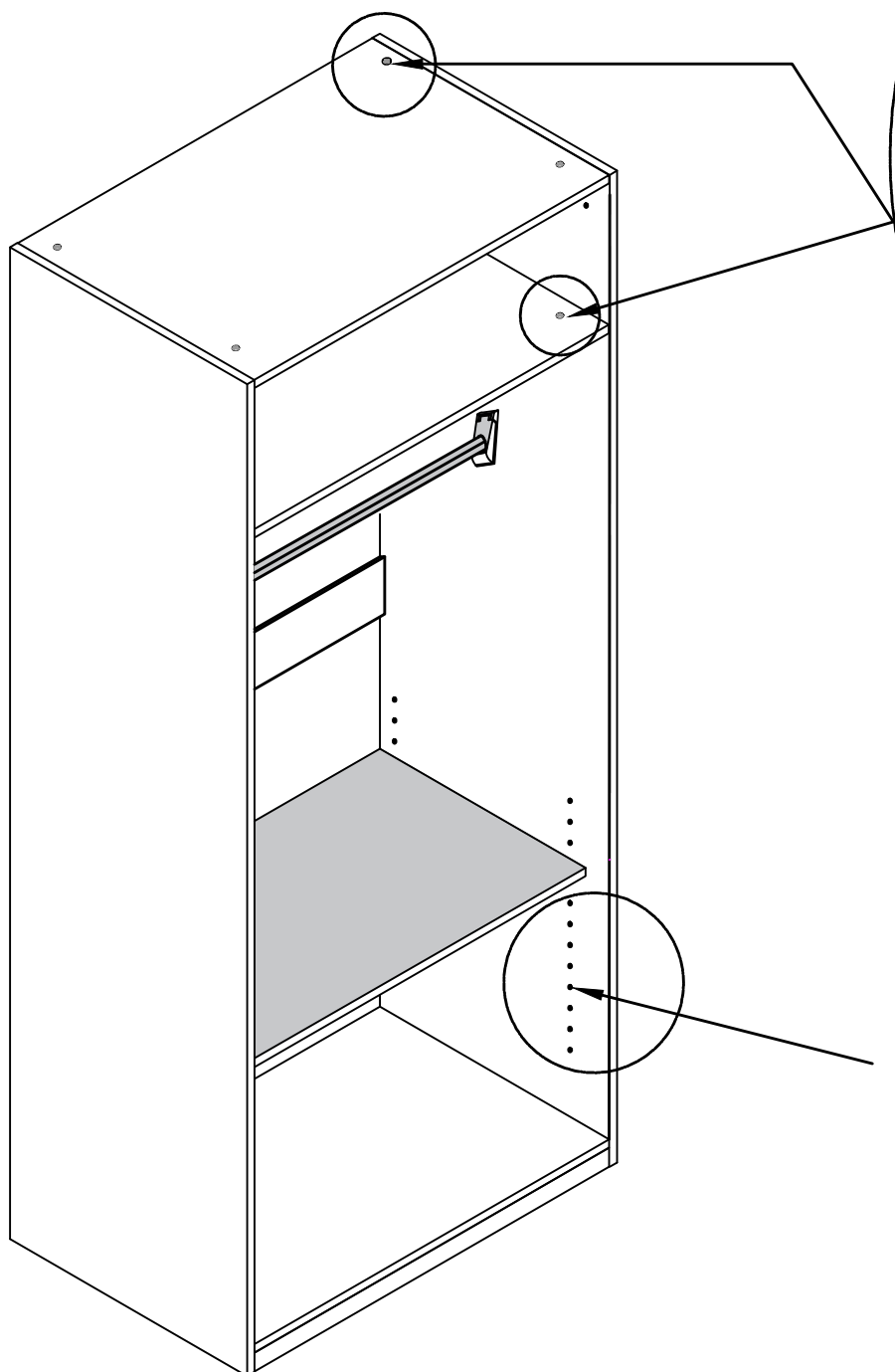
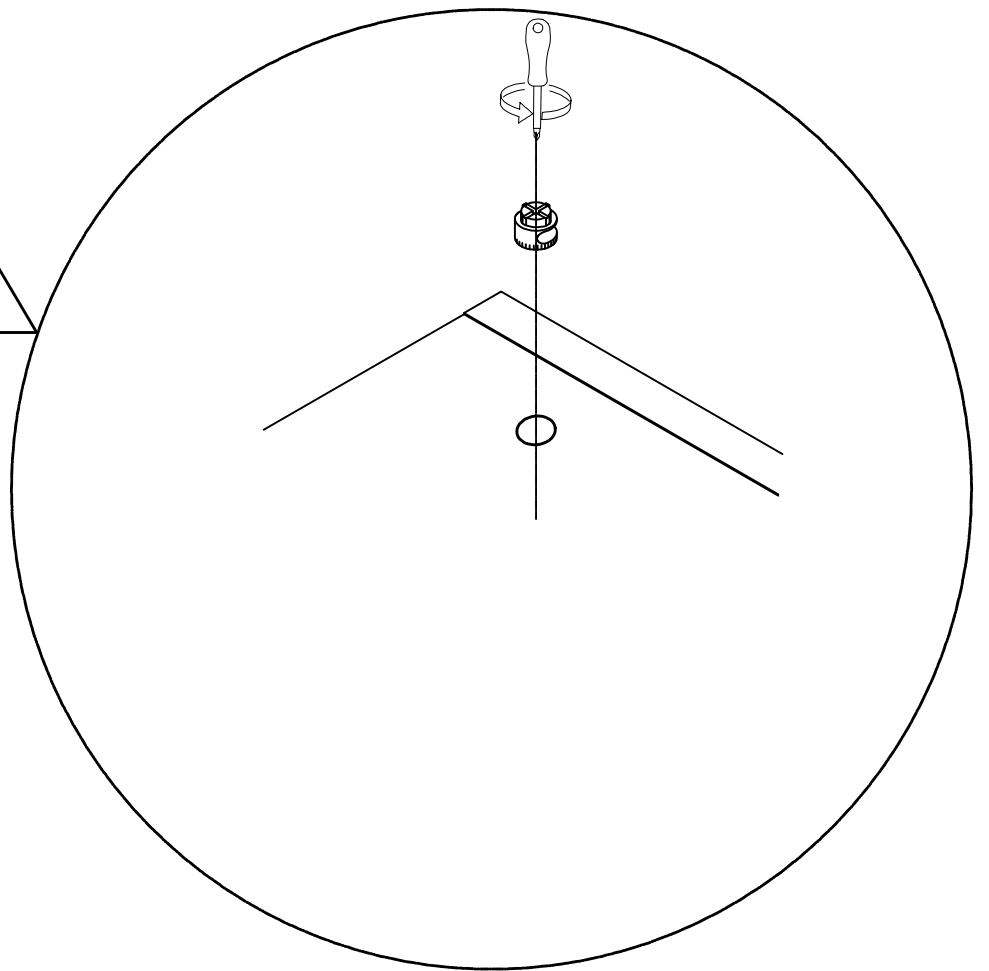
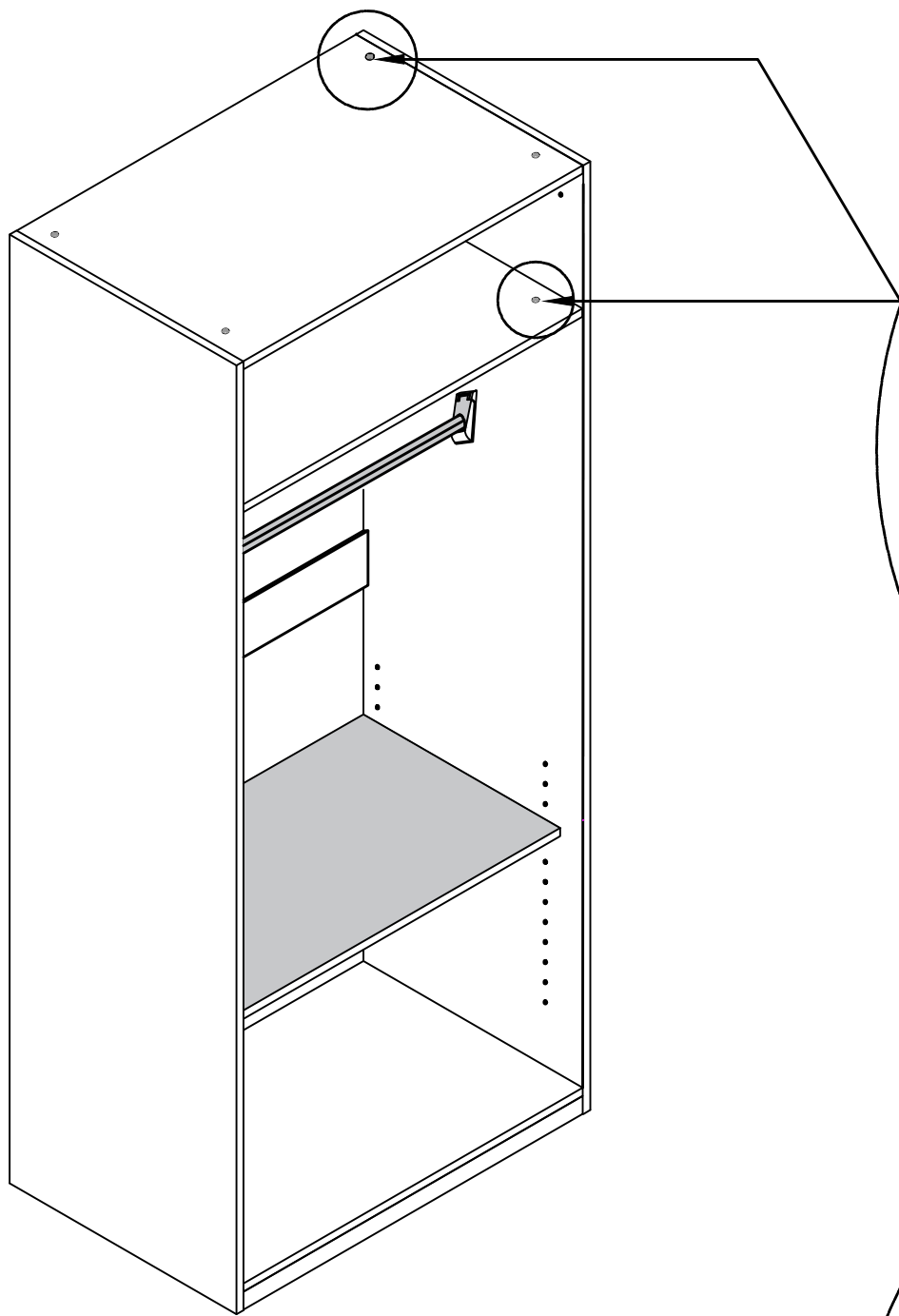


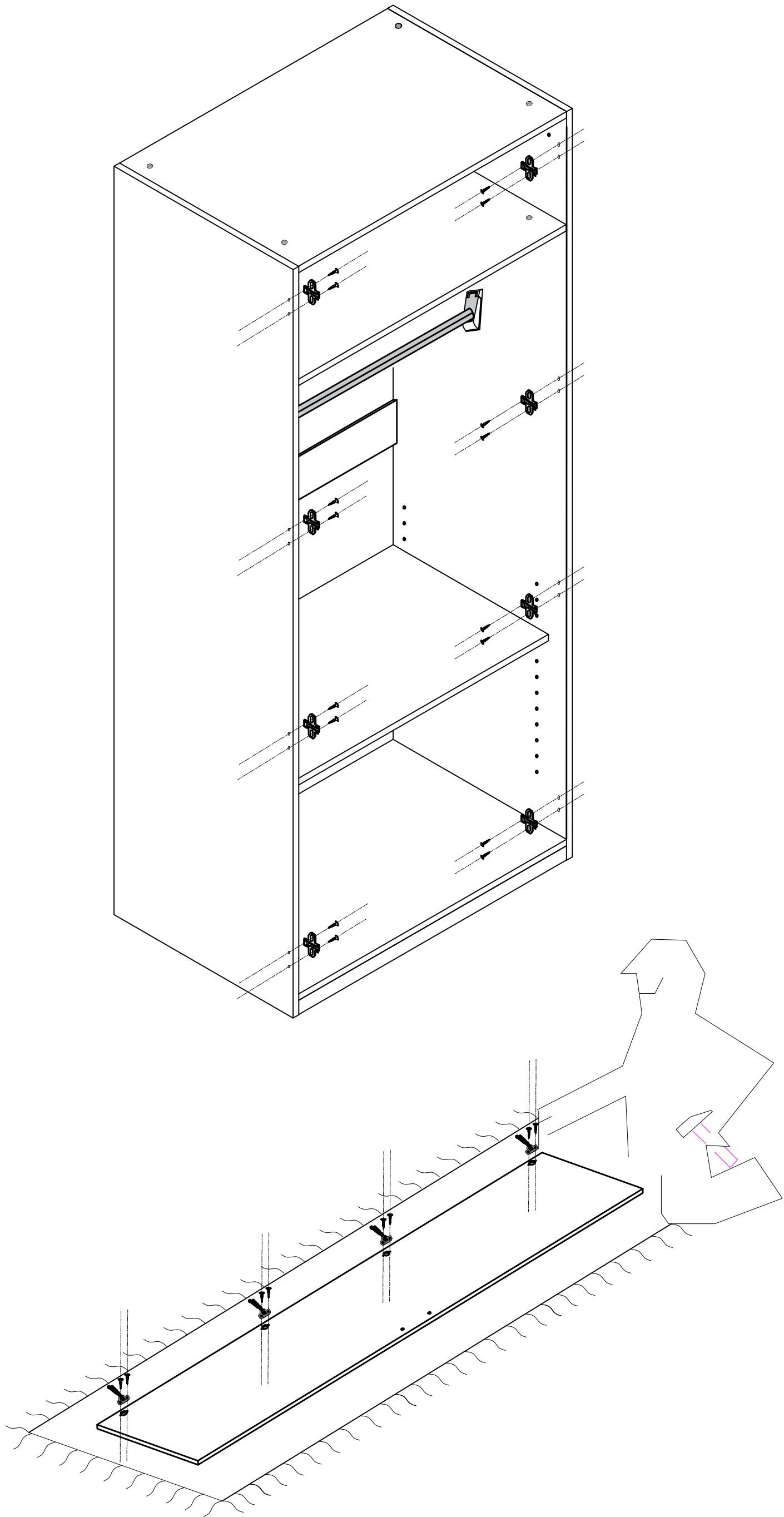
cover

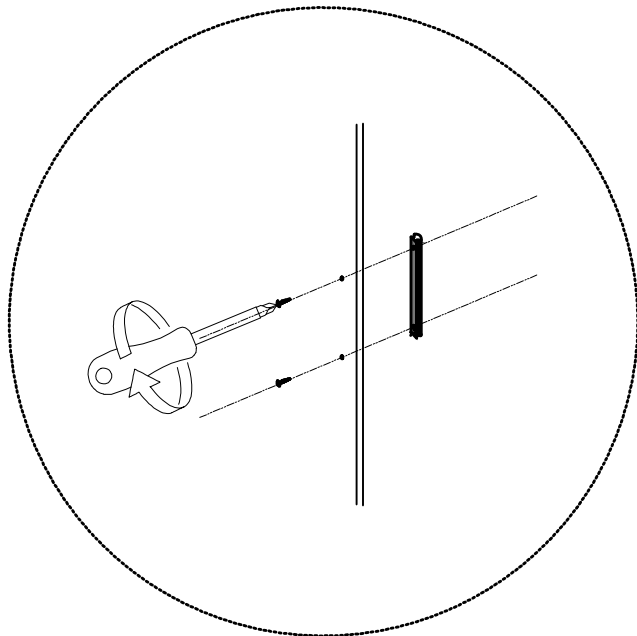
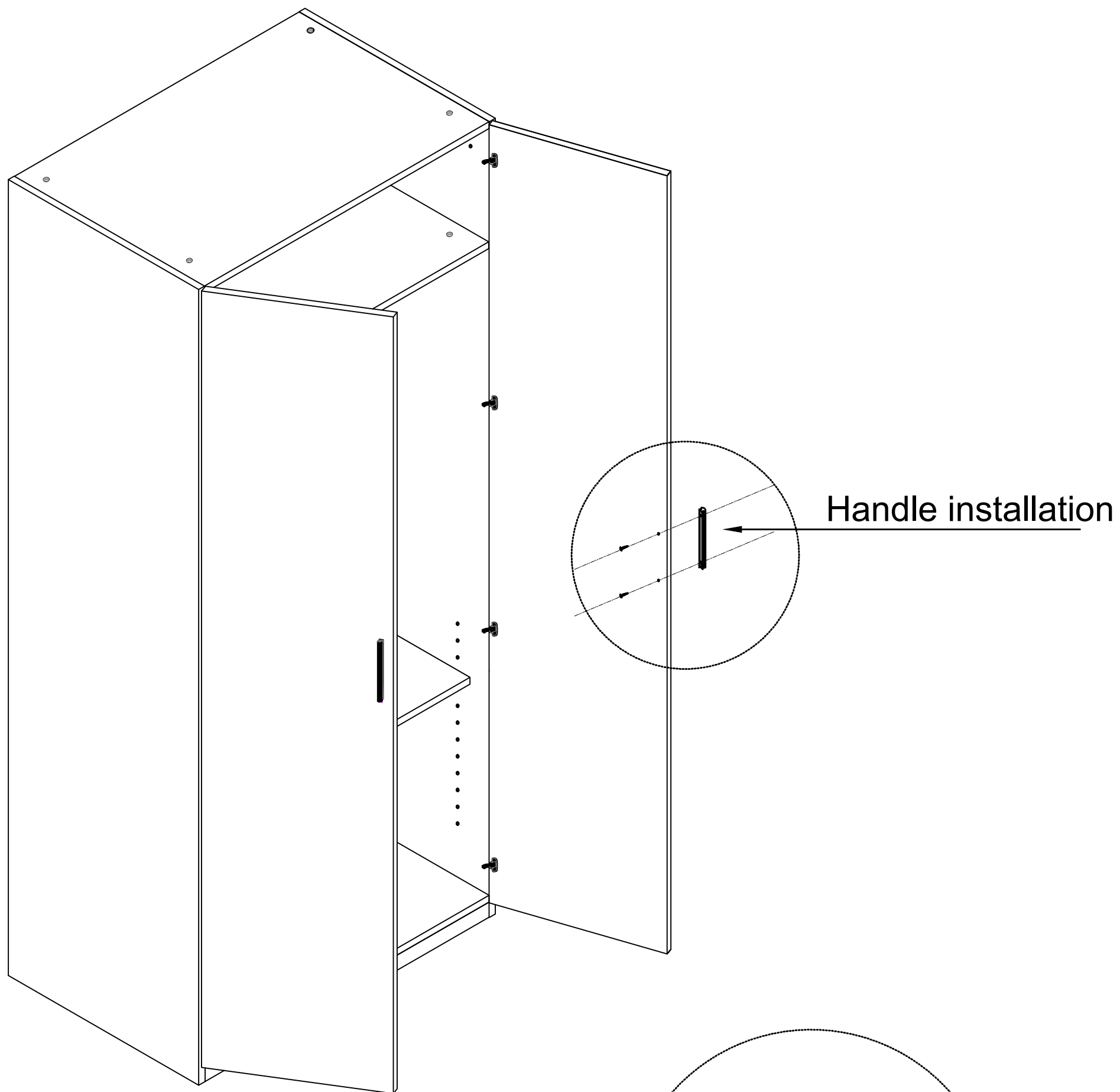




Adjustable shelf (position can be adjusted according to requirement)







drill two holes on the wall

